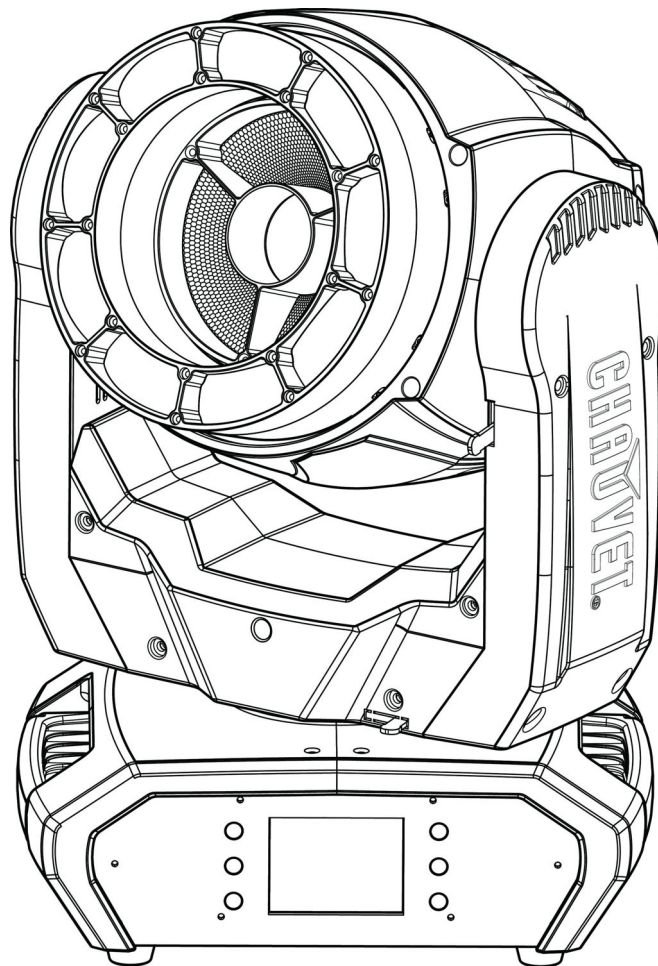


MAVERICK

MK PYXIS

Quick Reference Guide

English	EN
Español	ES
Français	FR
Deutsch	DE
Nederlands	NL



Model ID: MAVERICKMKPYXIS


CHAUVET
PROFESSIONAL

About This Guide

The Maverick MK Pyxis Quick Reference Guide (QRG) has basic product information such as connection, mounting, menu options, and DMX values. Download the User Manual from www.chauvetprofessional.com for more details.

Disclaimer

The information and specifications contained in this QRG are subject to change without notice.

LIMITED WARRANTY

FOR WARRANTY REGISTRATION AND COMPLETE TERMS AND CONDITIONS PLEASE VISIT OUR WEBSITE.

For Customers in the United States and Mexico: www.chauvetlighting.com/warranty-registration.

For Customers in the United Kingdom, Republic of Ireland, Belgium, the Netherlands, Luxembourg, France, and Germany: www.chauvetlighting.eu/warranty-registration.

Chauvet warrants that this product shall be free from defects in material and workmanship under normal use, for the period specified in, and subject to the exclusions and limitations set forth in the full limited warranty on our website. This warranty extends only to the original purchaser of the product and is not transferable. To exercise rights under this warranty, you must provide proof of purchase in the form of an original sales receipt from an authorized dealer that shows the product name and date of purchase. THERE ARE NO OTHER EXPRESS OR IMPLIED WARRANTIES. This warranty gives you specific legal rights. You may also have other rights that vary from state to state and country to country. This warranty is valid only in the United States, United Kingdom, Republic of Ireland, Belgium, the Netherlands, Luxembourg, France, Germany and Mexico. For warranty terms in other countries, please consult your local distributor.

Safety Notes

These Safety Notes include important information about installation, use, and maintenance.

- The product is for professional use only.
- DO NOT open this product. It contains no user-serviceable parts.
- DO NOT look at the light source when the product is on.
- To eliminate unnecessary wear and improve its lifespan, completely disconnect the product from power via breaker or by unplugging it during periods of non-use.
- CAUTION: When transferring product from extreme temperature environments, (e.g., cold truck to warm humid ballroom) condensation may form on the internal electronics of the product. To avoid causing a failure, allow product to fully acclimate to the surrounding environment before connecting it to power.
- CAUTION: This product's housing may be hot when lights are operating.
- Mount this product in a location with adequate ventilation, at least 20 in (50 cm) from adjacent surfaces.
- The luminaire should be positioned so that prolonged staring into the luminaire at a distance closer than 12.8 ft (3.9) m is not expected.
- DO NOT leave any flammable material within 50 cm of this product while operating or connected to power.
- USE a safety cable when mounting this product overhead.
- DO NOT operate this product outdoors or in any location where dust, excessive heat, water, or humidity may affect it. (IP20)
- DO NOT operate this product if the housing, lenses, or cables appear damaged.
- DO NOT connect this product to a dimmer or rheostat.
- ONLY connect this product to a grounded and protected circuit.
- ONLY use the hanging/mounting bracket or the handles to carry this product.
- If the external flexible cable or cord of this product is damaged, it shall be replaced with a special cable or cord exclusively available from the manufacturer or its service agent.
- The light source contained in this product shall only be replaced by the manufacturer, its service agent, or a similarly qualified person.
- The maximum ambient temperature is 113 °F (45 °C). Do not operate this product at higher temperatures.
- In the event of a serious operating problem, stop using immediately.

Contact

Outside the U.S., U.K., Ireland, France, Germany, Mexico, or Benelux contact your distributor to request support or return a product. Visit www.chauvetprofessional.com for contact information.

What is Included

- Maverick MK Pyxis
- Seetronic Powerkon IP65 power cord
- 2 Omega brackets with mounting hardware
- Quick Reference Guide

AC Power

This product has an auto-ranging power supply that can work with an input voltage range of 100–240 VAC, 50/60 Hz.

AC Plug

Connection	Wire (U.S.)	Wire (Europe)	Screw Color
AC live	Black	Brown	Yellow/brass
AC neutral	White	Blue	Silver
AC ground	Green/yellow	Green/yellow	Green



To eliminate wear and improve its lifespan, during periods of non-use completely disconnect the product from power via breaker or by unplugging it.

Power Linking

It is possible to power link up to 3 Maverick MK Pyxis products at 100 V, 4 products at 120 V, 7 products at 208 V, or up to 8 products at 230 V or 240 V. Never exceed this number. Power-linking cables can be purchased separately.

Replacing the Fuse

1. Disconnect this product from power.
2. Using a flat-head screwdriver, unscrew the fuse holder cap from the housing.
3. Remove blown fuse and replace with a good fuse of the same type and rating.
4. Screw the fuse holder cap back in place and reconnect power.

Signal Connections

The Maverick MK Pyxis can be linked to a controller or controller software using a DMX connection, an Ethernet connection, or both. If using other Art-Net™, sACN, or Kling-Net-compatible products with the Maverick MK Pyxis, you can control each individually on a single network. See the User Manual for information about how to connect and configure the product for these signals.

Control Personalities

The Maverick MK Pyxis uses DMX, Art-Net™, sACN, W-DMX, and Kling-Net for its control personalities:

Single Control	Dual Control Movement	Dual Control Pixels
Basic (26 channels)	Basic (13 channels)	Basic (30 channels)
Standard (66 channels)	Standard (30 channels)	Standard (40 channels)
Advanced (113 channels)	Advanced (41 channels)	Advanced (80 channels)
Tour (131 channels)		
Uses DMX, Art-Net™, sACN, or W-DMX	Uses DMX, Art-Net™, or sACN	Uses DMX, Art-Net™, sACN, or Kling-Net



In Dual Control mode, the Movement protocol and the Pixels protocol cannot be the same.

DMX Connection

The Maverick MK Pyxis will work with a DMX controller using a 3- or 5-pin DMX data connection. A DMX Primer is available from www.chauvetprofessional.com.

Art-Net™ Connection

Art-Net™ is an Ethernet protocol that uses TCP/IP that transfers a large amount of DMX512 data using a Neutrik® etherCON® RJ45 connection over a large network. An Art-Net™ protocol document is available from www.chauvetprofessional.com. Chauvet Professional recommends using unicast Art-Net™ for best results.

Art-Net™ designed by and copyright Artistic Licence Holdings Ltd.

sACN Connection

Also known as ANSI E1.31, Streaming-ACN is an Ethernet protocol that uses the layering and formatting of Architecture for Control Networks to transport DMX512 data over IP or any other ACN compatible network. ACN is maintained by the Professional Lighting and Sound Association (PLASA).

Kling-Net Connection

Kling-Net is a network protocol that allows autoconfiguration of display devices using a Neutrik® etherCON® RJ45 Ethernet connection. Refer to the ArKaos software manual for detailed instructions on programming this product.



- For smooth-running operation, ArKaos Kling-Net requires a gigabit (1,000 Mbps) Ethernet card and network router.
- ArKaos Kling-Net will only run Standard Pixels or Basic Pixels mode.

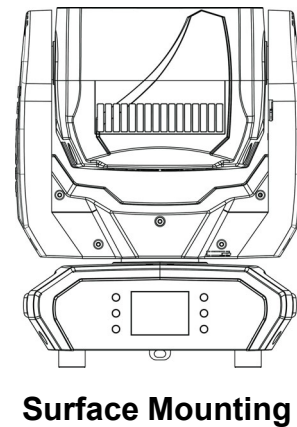
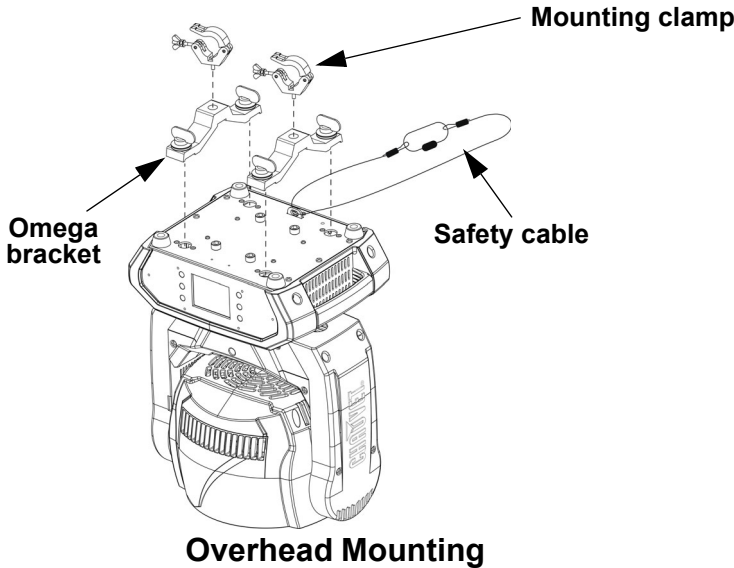
RDM (Remote Device Management)

Remote Device Management, or RDM, is a standard for allowing DMX-enabled devices to communicate bi-directionally along existing DMX cabling. The Maverick MK Pyxis supports RDM protocol that allows feedback to monitor temperature and changes to menu options. Download the User Manual from www.chauvetprofessional.com for more details.

Mounting

Before mounting this product, read the [Safety Notes](#). Use at least two mounting points per product. Make sure the mounting clamps are capable of supporting the weight of the product. For our CHAUVET Professional line of mounting clamps, go to <http://trusst.com/products>.

Mounting Diagram



Touchscreen Control Panel

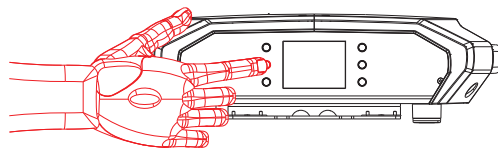
The Maverick MK Pyxis has a touchscreen display and six control buttons. The touchscreen can be locked and calibrated through the **Setup** options in the menu.

Control Panel Description

Button	Function
< ↑ >	Navigates upwards through the menu list or increases the numeric value when in a function
< ≡ >	Exits from the current menu or function
< ↓ >	Navigates downwards through the menu list or decreases the numeric value when in a function
< ← >	Navigates leftwards through the menu list
< ↵ >	Enables the currently displayed menu or sets the currently selected value into the selected function
< → >	Navigates rightwards through the menu list

Battery-Powered Display

Press and hold until menu screen appears (approx 15 sec.).



Menu Map

Refer for the Maverick MK Pyxis product page on www.chauvetprofessional.com for the latest menu map.

Programming Levels				Description	
Control Settings				Control Settings Main Level	
Single Control	DMX	Personality	Basic	Sets the DMX personality (see Control Personalities)	
			Standard		
			Advanced		
			Tour		
		Start Address	0-512	Sets the DMX starting address	
	ArtNet	Personality	Basic	Sets the Art-Net™ personality (see Control Personalities)	
			Standard		
			Advanced		
			Tour		
			Start Address	0-512	Sets the Art-Net™ starting address
			Universe	0-255	Sets the Art-Net™ universe
	sACN	Personality	Basic	Sets the sACN personality (see Control Personalities)	
			Standard		
			Advanced		
			Tour		
			Start Address	0-512	Sets the sACN starting address
			Universe	0-255	Sets the sACN universe
	WDMX	Personality	Basic	Sets the WDMX personality (see Control Personalities)	
			Standard		
			Advanced		
		Tour			
	Start Address	0-512	Sets the WDMX starting address		
Control Settings	Movement	DMX	Personality	Basic	Sets the DMX personality (see Control Personalities)
				Standard	
				Advanced	
				Start Address	0-512
		ArtNet	Personality	Basic	Sets the Art-Net™ personality (see Control Personalities)
				Standard	
				Advanced	
				Start Address	0-512
			Universe	0-255	Sets the Art-Net™ universe
		sACN	Personality	Basic	Sets the sACN personality (see Control Personalities)
				Standard	
				Advanced	
			Start Address	0-512	Sets the sACN starting address
		Universe	0-255	Sets the sACN universe	
	Pixels	DMX	Personality	Basic	Sets the DMX personality (see Control Personalities)
				Standard	
				Advanced	
				Start Address	0-512
		ArtNet	Personality	Basic	Sets the Art-Net™ personality (see Control Personalities)
				Standard	
Advanced					
			Start Address	0-512	Sets the Art-Net™ starting address
	Universe	0-255	Sets the Art-Net™ universe		
sACN	Personality	Basic	Sets the sACN personality (see Control Personalities)		
		Standard			
		Advanced			
		Start Address	0-512	Sets the sACN starting address	
	Universe	0-255	Sets the sACN universe		
KlingNet	Personality	Basic	Sets the Kling-Net personality (see Control Personalities)		
		Standard			

QUICK REFERENCE GUIDE



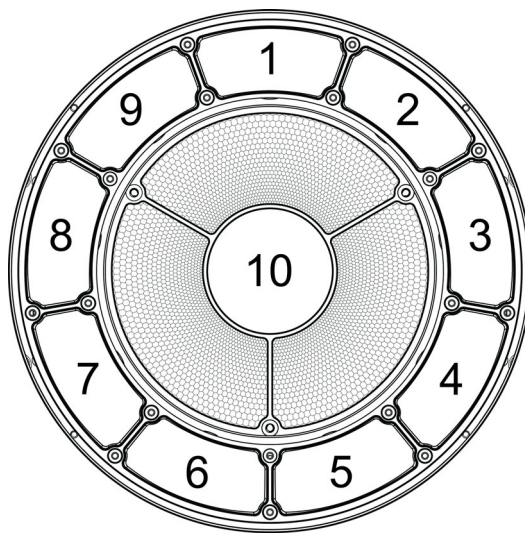
EN

Programming Levels			Description	
Test Mode			Test Mode Main Level	
Test Mode	Auto Test		Auto test all functions	
	Manual Test	Pan	000–255	Manually control and test all settings through the control panel
		Tilt		
		P/T Speed		
		Red		
		Green		
		Blue		
		White		
		CTC		
		Color		
		Pattern		
		LED Macro		
		LED Ma. Speed		
		LED Ma. Fade		
		Background		
		Background Dim.		
		Dimmer		
Shutter				
Function				
Zoom				
Setup			Setup Main Level	
Network Settings	IP Mode	Manual	Manually set IP address	
		DHCP	Network sets IP address	
		Static	Product sets IP address	
	IP	_ _ _ . _ _ _ . _ _ _ . _ _ _	Sets IP address in Manual mode	
	SubMask	_ _ _ . _ _ _ . _ _ _ . _ _ _	Sets Subnet Mask in Manual mode	
Pan Reverse	NO		Normal pan	
	YES		Reversed pan	
Tilt Reverse	NO		Normal tilt	
	YES		Reversed tilt	
Zoom Reverse	NO		Normal Zoom	
	YES		Reversed Zoom	
Screen Reverse	NO		Normal display	
	YES		Inverted display	
	AUTO		Automatic display orientation	
Pan Angle	540		540° pan range	
	360		360° pan range	
	180		180° pan range	
Tilt Angle	270		270° tilt range	
	180		180° tilt range	
	90		90° tilt range	
BL. O. P/T Move	NO		Do not blackout while pan/tilt	
	YES		Blackout while pan/tilt	
Calibration	NO		Keep current settings	
	YES		Calibrate touchscreen	
Touchscreen Lock	NO		Display responds to touch	
	YES		Display does not respond to touch	
Lock Screen	NO		Lock the buttons and touchscreen	
	YES		Passcode: 0920	
Swap XY	NO		Do not swap pan and tilt	
	YES		Pan controls tilt, tilt controls pan	
WDMX Reset	NO		Do not reset WDMX	
	YES		Reset WDMX	

Programming Levels			Description	
Setup (cont.)			Setup Main Level (cont.)	
Setup (cont.)	Backlight Timer	30S	Display turns off after 30 seconds	
		1M	Display turns off after 1 minute	
		5M	Display turns off after 5 minutes	
		ON	Display stays on	
	Loss of Data	Hold	Holds last signal received	
		Close	Blacks out fixture	
	Fans	Auto	Fan speed according to product temperature	
		Full	Fan speed set on high	
		ECO	Quiet mode	
	C Mixing Mode	RGBW	RGBW mode (additive)	
		CMY	CMY mode (subtractive)	
	Dimmer Curve	Linear	Set the dimmer curve	
		Square		
		I Squa		
		SCurve		
	Dimmer Speed	Smooth	Set the dimmer speed	
		Fast		
	PWM Option	600Hz	Sets the Pulse Width Modulation frequency	
		1200Hz		
		2000Hz		
4000Hz				
6000Hz				
Color Balance	Red	000–255	Sets red LED maximum value	
	Green		Sets green LED maximum value	
	Blue		Sets blue LED maximum value	
	White		Sets white LED maximum value	
Preset Select	PRESET A	Recorded preset menu options		
	PRESET B			
	PRESET C			
Preset Sync	NO	Allows recorded preset menu options to be transferred to other Maverick MK Pyxis in the DMX daisy chain		
	YES			
Reset Function	Pan/Tilt	NO	Reset individual functions or all functions from startup	
		YES		
	Zoom	NO		
		YES		
All	NO			
	YES			
Factory Settings	NO	Reset to factory default settings		
	YES			
Sys Info			Sys Info Main Level	
Sys Info	Fixture Information	Ver	V_	Shows firmware version
		Running Mode	---	Shows current running mode
		Address	---	Shows current starting address
		Temperature	---	Shows current product temperature in °C
		Fixture Hours	-----	Shows number of hours product has been powered on
		Ip	-----	Shows current IP address
		SubMask	-----	Shows current Subnet Mask
	MAC	-----	Shows current MAC address	
	Fan Information	Head Fan1 Speed	----	Shows speed of head fans in rpm
		Head Fan2 Speed	----	
Error Information	No Error!*		Shows any errors, or No Error!	

Programming Levels		Description
Sys Info (cont.)		Sys Info Main Level (cont.)
Sys Info (cont.)	Channel Information	Frequency
		Pan
		Pan Fine
		Tilt
		Tilt Fine
		Pan Rotation
		Tilt Rotation
		P/T Speed
		CTC
		Color (1-2)
		Pattern
		LED Macro
		LED Ma. Speed
		LED Ma. Fine
		Background
		Background Dim.
		Bg. Dim. Fine
		Dimmer (A-B)
		Dimmer Fine (A-B)
		Shutter (1-2)
		Zoom
		Function
		Red (all, 1-10)
		Red Fine (all, 1-10)
		Green (all, 1-10)
		Green fine (all, 1-10)
		Blue (all, 1-10)
		Blue Fine (all, 1-10)
		White (all, 1-10)
		White Fine (all, 1-10)
Dimmer (1-10)		
Dimmer Fine (1-10)		
---	Shows all current values from input signals, 000-255	

Zones for Pixel Control



DMX Values

Single Control Values

Single Control: Tour Mode (131Ch)

Channel	Function	Value	Percent/Setting
1	Pan	000 ⇄ 255	0–100%
2	Pan Fine	000 ⇄ 255	0–100%
3	Tilt	000 ⇄ 255	0–100%
4	Tilt Fine	000 ⇄ 255	0–100%
5	Continuous Pan	000	No function
		001 ⇄ 127	Continuous pan, fast to slow
		128	No function
		129 ⇄ 255	Reverse continuous pan, slow to fast
6	Continuous Tilt	000	No function
		001 ⇄ 127	Continuous tilt, fast to slow
		128	No function
		129 ⇄ 255	Reverse continuous tilt, slow to fast
7	Pan/Tilt Speed	000 ⇄ 255	Fast to slow
8	CTC	000	No function
		001 ⇄ 255	Color temperature, 2800–10000 K
9	Ring Color	000	No function
		001 ⇄ 002	2700K R = 156 G = 118 B = 0 W = 63
		003 ⇄ 004	3200K R = 156 G = 141 B = 5 W = 89
		005 ⇄ 006	4200K R = 156 G = 141 B = 14 W = 255
		007 ⇄ 008	5600K R = 156 G = 207 B = 54 W = 255
		009 ⇄ 010	8000K R = 130 G = 255 B = 96 W = 255
		011	Blue R = 0 G = 0 B = 255 W = 0
		012 ⇄ 048	+ Green R = 0 G = 0–255 B = 255 W = 0
		049	Cyan R = 0 G = 255 B = 255 W = 0
		050 ⇄ 086	- Blue R = 0 G = 255 B = 255–0 W = 0
		087	Green R = 0 G = 255 B = 0 W = 0
		088 ⇄ 124	+ Red R = 0–255 G = 255 B = 0 W = 0
		125	Yellow R = 255 G = 255 B = 0 W = 0
		126 ⇄ 162	- Green R = 255 G = 255–0 B = 0 W = 0
		163	Red R = 255 G = 0 B = 0 W = 0
		164 ⇄ 200	+ Blue R = 255 G = 0 B = 0–255 W = 0
		201	Magenta R = 255 G = 0 B = 255 W = 0
		202 ⇄ 238	- Red R = 255–0 G = 0 B = 255 W = 0
		239	Blue R = 0 G = 0 B = 255 W = 0
		240 ⇄ 247	Color fade, fast to slow
248 ⇄ 255	Color snap, fast to slow		

QUICK REFERENCE GUIDE



EN

Channel	Function	Value	Percent/Setting				
10	Beam Color	000	No function				
		001 ⇔ 002	2700K	R = 156	G = 118	B = 0	W = 63
		003 ⇔ 004	3200K	R = 156	G = 141	B = 5	W = 89
		005 ⇔ 006	4200K	R = 156	G = 141	B = 14	W = 255
		007 ⇔ 008	5600K	R = 156	G = 207	B = 54	W = 255
		009 ⇔ 010	8000K	R = 130	G = 255	B = 96	W = 255
		011	Blue	R = 0	G = 0	B = 255	W = 0
		012 ⇔ 048	+ Green	R = 0	G = 0–255	B = 255	W = 0
		049	Cyan	R = 0	G = 255	B = 255	W = 0
		050 ⇔ 086	- Blue	R = 0	G = 255	B = 255–0	W = 0
		087	Green	R = 0	G = 255	B = 0	W = 0
		088 ⇔ 124	+ Red	R = 0–255	G = 255	B = 0	W = 0
		125	Yellow	R = 255	G = 255	B = 0	W = 0
		126 ⇔ 162	- Green	R = 255	G = 255–0	B = 0	W = 0
		163	Red	R = 255	G = 0	B = 0	W = 0
		164 ⇔ 200	+ Blue	R = 255	G = 0	B = 0–255	W = 0
		201	Magenta	R = 255	G = 0	B = 255	W = 0
		202 ⇔ 238	- Red	R = 255–0	G = 0	B = 255	W = 0
		239	Blue	R = 0	G = 0	B = 255	W = 0
		240 ⇔ 247	Color fade, fast to slow				
248 ⇔ 255	Color snap, fast to slow						
11	Gobo	000	No function				
		001 ⇔ 255	Gobos (indexed)				
12	LED Macro / Auto Program	000 ⇔ 015	No function				
		016 ⇔ 135	LED macros				
		136 ⇔ 255	Auto programs				
13	LED Macro / Auto Program Speed	000 ⇔ 127	Auto speed, fast to slow clockwise				
		128	Hold				
		129 ⇔ 255	Auto speed, slow to fast counter-clockwise				
14	LED Built-in Delay	000 ⇔ 255	Fast to slow				
15	Background Color	000	No function				
		001 ⇔ 002	2700K	R = 156	G = 118	B = 0	W = 63
		003 ⇔ 004	3200K	R = 156	G = 141	B = 5	W = 89
		005 ⇔ 006	4200K	R = 156	G = 141	B = 14	W = 255
		007 ⇔ 008	5600K	R = 156	G = 207	B = 54	W = 255
		009 ⇔ 010	8000K	R = 130	G = 255	B = 96	W = 255
		011	Blue	R = 0	G = 0	B = 255	W = 0
		012 ⇔ 048	+ Green	R = 0	G = 0–255	B = 255	W = 0
		049	Cyan	R = 0	G = 255	B = 255	W = 0
		050 ⇔ 086	- Blue	R = 0	G = 255	B = 255–0	W = 0
		087	Green	R = 0	G = 255	B = 0	W = 0
		088 ⇔ 124	+ Red	R = 0–255	G = 255	B = 0	W = 0
		125	Yellow	R = 255	G = 255	B = 0	W = 0
		126 ⇔ 162	- Green	R = 255	G = 255–0	B = 0	W = 0
		163	Red	R = 255	G = 0	B = 0	W = 0
		164 ⇔ 200	+ Blue	R = 255	G = 0	B = 0–255	W = 0
		201	Magenta	R = 255	G = 0	B = 255	W = 0
		202 ⇔ 238	- Red	R = 255–0	G = 0	B = 255	W = 0
		239	Blue	R = 0	G = 0	B = 255	W = 0
		240 ⇔ 247	Color fade, fast to slow				
248 ⇔ 255	Color snap, fast to slow						
16	Background Dimmer	000 ⇔ 255	0–100%				
17	Background Fine Dimmer	000 ⇔ 255	0–100%				
18	Main Dimmer	000 ⇔ 255	0–100%				
19	Main Fine Dimmer	000 ⇔ 255	0–100%				

Channel	Function	Value	Percent/Setting
20	Ring Shutter	000 ⇄ 019	Off
		020 ⇄ 024	On
		025 ⇄ 069	Strobe, fast to slow
		070 ⇄ 089	Strobe 100–0%, fast to slow
		090 ⇄ 109	Strobe 0–100%, fast to slow
		110 ⇄ 129	Random strobe, fast to slow
		130 ⇄ 149	Random strobe 100–0%, fast to slow
		150 ⇄ 169	Random strobe 0–100%, fast to slow
		170 ⇄ 189	Pulse strobe, fast to slow
		190 ⇄ 209	Random pulse strobe, fast to slow
		210 ⇄ 229	Strobe 0–100–0%, fast to slow
		230 ⇄ 244	Random pulse strobe, fast to slow
		245 ⇄ 255	On
21	Beam Shutter	000 ⇄ 019	Off
		020 ⇄ 024	On
		025 ⇄ 069	Strobe, fast to slow
		070 ⇄ 089	Strobe 100–0%, fast to slow
		090 ⇄ 109	Strobe 0–100%, fast to slow
		110 ⇄ 129	Random strobe, fast to slow
		130 ⇄ 149	Random strobe 100–0%, fast to slow
		150 ⇄ 169	Random strobe 0–100%, fast to slow
		170 ⇄ 189	Pulse strobe, fast to slow
		190 ⇄ 209	Random pulse strobe, fast to slow
		210 ⇄ 229	Strobe 0–100–0%, fast to slow
		230 ⇄ 244	Random pulse strobe, fast to slow
		245 ⇄ 255	On
22	Zoom	000 ⇄ 255	Wide to narrow
23	Control	000 ⇄ 009	No function
		010 ⇄ 014	Blackout on Pan/Tilt
		015 ⇄ 019	Reserved for future use
		020 ⇄ 024	RGBW (additive) color-mixing mode
		025 ⇄ 029	CMY (subtractive) color-mixing mode
		030 ⇄ 049	Reserved for future use
		050 ⇄ 054	Pan reset
		055 ⇄ 059	Tilt reset
		060 ⇄ 064	Zoom reset
		065 ⇄ 069	Reserved for future use
		070 ⇄ 074	Reset all
		075 ⇄ 109	Reserved for future use
		110 ⇄ 114	Fast Pan/Tilt speed
		115 ⇄ 119	Slow Pan/tilt speed
		120 ⇄ 124	Slow fan mode
		125 ⇄ 129	Full fan mode
		130 ⇄ 134	Auto fan mode
		135 ⇄ 139	Fast dimmer mode
140 ⇄ 144	Slow dimmer mode		
145 ⇄ 255	Reserved for future use		
24	Main Red	000 ⇄ 255	RGBW Mode: 0–100% / CMY Mode: 100–0%
25	Main Fine Red	000 ⇄ 255	RGBW Mode: 0–100% / CMY Mode: 100–0%
26	Main Green	000 ⇄ 255	RGBW Mode: 0–100% / CMY Mode: 100–0%
27	Main Fine Green	000 ⇄ 255	RGBW Mode: 0–100% / CMY Mode: 100–0%
28	Main Blue	000 ⇄ 255	RGBW Mode: 0–100% / CMY Mode: 100–0%
29	Main Fine Blue	000 ⇄ 255	RGBW Mode: 0–100% / CMY Mode: 100–0%
30	Main White	000 ⇄ 255	RGBW Mode: 0–100% / CMY Mode: 100–0%
31	Main Fine White	000 ⇄ 255	RGBW Mode: 0–100% / CMY Mode: 100–0%

QUICK REFERENCE GUIDE



EN

Channel	Function	Value	Percent/Setting
32	Dimmer 1	000 ⇄ 255	0–100%
33	Fine Dimmer 1	000 ⇄ 255	0–100%
34	Red 1	000 ⇄ 255	RGBW Mode: 0–100% / CMY Mode: 100–0%
35	Fine Red 1	000 ⇄ 255	RGBW Mode: 0–100% / CMY Mode: 100–0%
36	Green 1	000 ⇄ 255	RGBW Mode: 0–100% / CMY Mode: 100–0%
37	Fine Green 1	000 ⇄ 255	RGBW Mode: 0–100% / CMY Mode: 100–0%
38	Blue 1	000 ⇄ 255	RGBW Mode: 0–100% / CMY Mode: 100–0%
39	Fine Blue 1	000 ⇄ 255	RGBW Mode: 0–100% / CMY Mode: 100–0%
40	White 1	000 ⇄ 255	RGBW Mode: 0–100% / CMY Mode: 100–0%
41	Fine White 1	000 ⇄ 255	RGBW Mode: 0–100% / CMY Mode: 100–0%
42	Dimmer 2	000 ⇄ 255	0–100%
43	Fine Dimmer 2	000 ⇄ 255	0–100%
44	Red 2	000 ⇄ 255	RGBW Mode: 0–100% / CMY Mode: 100–0%
45	Fine Red 2	000 ⇄ 255	RGBW Mode: 0–100% / CMY Mode: 100–0%
46	Green 2	000 ⇄ 255	RGBW Mode: 0–100% / CMY Mode: 100–0%
47	Fine Green 2	000 ⇄ 255	RGBW Mode: 0–100% / CMY Mode: 100–0%
48	Blue 2	000 ⇄ 255	RGBW Mode: 0–100% / CMY Mode: 100–0%
49	Fine Blue 2	000 ⇄ 255	RGBW Mode: 0–100% / CMY Mode: 100–0%
50	White 2	000 ⇄ 255	RGBW Mode: 0–100% / CMY Mode: 100–0%
51	Fine White 2	000 ⇄ 255	RGBW Mode: 0–100% / CMY Mode: 100–0%
52	Dimmer 3	000 ⇄ 255	0–100%
53	Fine Dimmer 3	000 ⇄ 255	0–100%
54	Red 3	000 ⇄ 255	RGBW Mode: 0–100% / CMY Mode: 100–0%
55	Fine Red 3	000 ⇄ 255	RGBW Mode: 0–100% / CMY Mode: 100–0%
56	Green 3	000 ⇄ 255	RGBW Mode: 0–100% / CMY Mode: 100–0%
57	Fine Green 3	000 ⇄ 255	RGBW Mode: 0–100% / CMY Mode: 100–0%
58	Blue 3	000 ⇄ 255	RGBW Mode: 0–100% / CMY Mode: 100–0%
59	Fine Blue 3	000 ⇄ 255	RGBW Mode: 0–100% / CMY Mode: 100–0%
60	White 3	000 ⇄ 255	RGBW Mode: 0–100% / CMY Mode: 100–0%
61	Fine White 3	000 ⇄ 255	RGBW Mode: 0–100% / CMY Mode: 100–0%
62	Dimmer 4	000 ⇄ 255	0–100%
63	Fine Dimmer 4	000 ⇄ 255	0–100%
64	Red 4	000 ⇄ 255	RGBW Mode: 0–100% / CMY Mode: 100–0%
65	Fine Red 4	000 ⇄ 255	RGBW Mode: 0–100% / CMY Mode: 100–0%
66	Green 4	000 ⇄ 255	RGBW Mode: 0–100% / CMY Mode: 100–0%
67	Fine Green 4	000 ⇄ 255	RGBW Mode: 0–100% / CMY Mode: 100–0%
68	Blue 4	000 ⇄ 255	RGBW Mode: 0–100% / CMY Mode: 100–0%
69	Fine Blue 4	000 ⇄ 255	RGBW Mode: 0–100% / CMY Mode: 100–0%
70	White 4	000 ⇄ 255	RGBW Mode: 0–100% / CMY Mode: 100–0%
71	Fine White 4	000 ⇄ 255	RGBW Mode: 0–100% / CMY Mode: 100–0%
72	Dimmer 5	000 ⇄ 255	0–100%
73	Fine Dimmer 5	000 ⇄ 255	0–100%
74	Red 5	000 ⇄ 255	RGBW Mode: 0–100% / CMY Mode: 100–0%
75	Fine Red 5	000 ⇄ 255	RGBW Mode: 0–100% / CMY Mode: 100–0%
76	Green 5	000 ⇄ 255	RGBW Mode: 0–100% / CMY Mode: 100–0%
77	Fine Green 5	000 ⇄ 255	RGBW Mode: 0–100% / CMY Mode: 100–0%
78	Blue 5	000 ⇄ 255	RGBW Mode: 0–100% / CMY Mode: 100–0%
79	Fine Blue 5	000 ⇄ 255	RGBW Mode: 0–100% / CMY Mode: 100–0%
80	White 5	000 ⇄ 255	RGBW Mode: 0–100% / CMY Mode: 100–0%
81	Fine White 5	000 ⇄ 255	RGBW Mode: 0–100% / CMY Mode: 100–0%
82	Dimmer 6	000 ⇄ 255	0–100%
83	Fine Dimmer 6	000 ⇄ 255	0–100%
84	Red 6	000 ⇄ 255	RGBW Mode: 0–100% / CMY Mode: 100–0%
85	Fine Red 6	000 ⇄ 255	RGBW Mode: 0–100% / CMY Mode: 100–0%
86	Green 6	000 ⇄ 255	RGBW Mode: 0–100% / CMY Mode: 100–0%

Channel	Function	Value	Percent/Setting
87	Fine Green 6	000 ⇄ 255	RGBW Mode: 0–100% / CMY Mode: 100–0%
88	Blue 6	000 ⇄ 255	RGBW Mode: 0–100% / CMY Mode: 100–0%
89	Fine Blue 6	000 ⇄ 255	RGBW Mode: 0–100% / CMY Mode: 100–0%
90	White 6	000 ⇄ 255	RGBW Mode: 0–100% / CMY Mode: 100–0%
91	Fine White 6	000 ⇄ 255	RGBW Mode: 0–100% / CMY Mode: 100–0%
92	Dimmer 7	000 ⇄ 255	0–100%
93	Fine Dimmer 7	000 ⇄ 255	0–100%
94	Red 7	000 ⇄ 255	RGBW Mode: 0–100% / CMY Mode: 100–0%
95	Fine Red 7	000 ⇄ 255	RGBW Mode: 0–100% / CMY Mode: 100–0%
96	Green 7	000 ⇄ 255	RGBW Mode: 0–100% / CMY Mode: 100–0%
97	Fine Green 7	000 ⇄ 255	RGBW Mode: 0–100% / CMY Mode: 100–0%
98	Blue 7	000 ⇄ 255	RGBW Mode: 0–100% / CMY Mode: 100–0%
99	Fine Blue 7	000 ⇄ 255	RGBW Mode: 0–100% / CMY Mode: 100–0%
100	White 7	000 ⇄ 255	RGBW Mode: 0–100% / CMY Mode: 100–0%
101	Fine White 7	000 ⇄ 255	RGBW Mode: 0–100% / CMY Mode: 100–0%
102	Dimmer 8	000 ⇄ 255	0–100%
103	Fine Dimmer 8	000 ⇄ 255	0–100%
104	Red 8	000 ⇄ 255	RGBW Mode: 0–100% / CMY Mode: 100–0%
105	Fine Red 8	000 ⇄ 255	RGBW Mode: 0–100% / CMY Mode: 100–0%
106	Green 8	000 ⇄ 255	RGBW Mode: 0–100% / CMY Mode: 100–0%
107	Fine Green 8	000 ⇄ 255	RGBW Mode: 0–100% / CMY Mode: 100–0%
108	Blue 8	000 ⇄ 255	RGBW Mode: 0–100% / CMY Mode: 100–0%
109	Fine Blue 8	000 ⇄ 255	RGBW Mode: 0–100% / CMY Mode: 100–0%
110	White 8	000 ⇄ 255	RGBW Mode: 0–100% / CMY Mode: 100–0%
111	Fine White 8	000 ⇄ 255	RGBW Mode: 0–100% / CMY Mode: 100–0%
112	Dimmer 9	000 ⇄ 255	0–100%
113	Fine Dimmer 9	000 ⇄ 255	0–100%
114	Red 9	000 ⇄ 255	RGBW Mode: 0–100% / CMY Mode: 100–0%
115	Fine Red 9	000 ⇄ 255	RGBW Mode: 0–100% / CMY Mode: 100–0%
116	Green 9	000 ⇄ 255	RGBW Mode: 0–100% / CMY Mode: 100–0%
117	Fine Green 9	000 ⇄ 255	RGBW Mode: 0–100% / CMY Mode: 100–0%
118	Blue 9	000 ⇄ 255	RGBW Mode: 0–100% / CMY Mode: 100–0%
119	Fine Blue 9	000 ⇄ 255	RGBW Mode: 0–100% / CMY Mode: 100–0%
120	White 9	000 ⇄ 255	RGBW Mode: 0–100% / CMY Mode: 100–0%
121	Fine White 9	000 ⇄ 255	RGBW Mode: 0–100% / CMY Mode: 100–0%
122	Dimmer 10	000 ⇄ 255	0–100%
123	Fine Dimmer 10	000 ⇄ 255	0–100%
124	Red 10	000 ⇄ 255	RGBW Mode: 0–100% / CMY Mode: 100–0%
125	Fine Red 10	000 ⇄ 255	RGBW Mode: 0–100% / CMY Mode: 100–0%
126	Green 10	000 ⇄ 255	RGBW Mode: 0–100% / CMY Mode: 100–0%
127	Fine Green 10	000 ⇄ 255	RGBW Mode: 0–100% / CMY Mode: 100–0%
128	Blue 10	000 ⇄ 255	RGBW Mode: 0–100% / CMY Mode: 100–0%
129	Fine Blue 10	000 ⇄ 255	RGBW Mode: 0–100% / CMY Mode: 100–0%
130	White 10	000 ⇄ 255	RGBW Mode: 0–100% / CMY Mode: 100–0%
131	Fine White 10	000 ⇄ 255	RGBW Mode: 0–100% / CMY Mode: 100–0%

QUICK REFERENCE GUIDE



EN

Single Control: Advanced Mode (113Ch)

Channel	Function	Value	Percent/Setting
1	Pan	000 ⇔ 255	0–100%
2	Pan Fine	000 ⇔ 255	0–100%
3	Tilt	000 ⇔ 255	0–100%
4	Tilt Fine	000 ⇔ 255	0–100%
5	Continuous Pan	000	No function
		001 ⇔ 127	Continuous pan, fast to slow
		128	No function
		129 ⇔ 255	Reverse continuous pan, slow to fast
6	Continuous Tilt	000	No function
		001 ⇔ 127	Continuous tilt, fast to slow
		128	No function
		129 ⇔ 255	Reverse continuous tilt, slow to fast
7	Pan/Tilt Speed	000 ⇔ 255	Fast to slow
8	CTC	000	No function
		001 ⇔ 255	Color temperature, 2800–10000 K
9	Ring Color	000	No function
		001 ⇔ 002	2700K R = 156 G = 118 B = 0 W = 63
		003 ⇔ 004	3200K R = 156 G = 141 B = 5 W = 89
		005 ⇔ 006	4200K R = 156 G = 141 B = 14 W = 255
		007 ⇔ 008	5600K R = 156 G = 207 B = 54 W = 255
		009 ⇔ 010	8000K R = 130 G = 255 B = 96 W = 255
		011	Blue R = 0 G = 0 B = 255 W = 0
		012 ⇔ 048	+ Green R = 0 G = 0–255 B = 255 W = 0
		049	Cyan R = 0 G = 255 B = 255 W = 0
		050 ⇔ 086	- Blue R = 0 G = 255 B = 255–0 W = 0
		087	Green R = 0 G = 255 B = 0 W = 0
		088 ⇔ 124	+ Red R = 0–255 G = 255 B = 0 W = 0
		125	Yellow R = 255 G = 255 B = 0 W = 0
		126 ⇔ 162	- Green R = 255 G = 255–0 B = 0 W = 0
		163	Red R = 255 G = 0 B = 0 W = 0
		164 ⇔ 200	+ Blue R = 255 G = 0 B = 0–255 W = 0
		201	Magenta R = 255 G = 0 B = 255 W = 0
		202 ⇔ 238	- Red R = 255–0 G = 0 B = 255 W = 0
		239	Blue R = 0 G = 0 B = 255 W = 0
		240 ⇔ 247	Color fade, fast to slow
248 ⇔ 255	Color snap, fast to slow		

Channel	Function	Value	Percent/Setting
10	Beam Color	000	No function
		001 ⇔ 002	2700K R = 156 G = 118 B = 0 W = 63
		003 ⇔ 004	3200K R = 156 G = 141 B = 5 W = 89
		005 ⇔ 006	4200K R = 156 G = 141 B = 14 W = 255
		007 ⇔ 008	5600K R = 156 G = 207 B = 54 W = 255
		009 ⇔ 010	8000K R = 130 G = 255 B = 96 W = 255
		011	Blue R = 0 G = 0 B = 255 W = 0
		012 ⇔ 048	+ Green R = 0 G = 0–255 B = 255 W = 0
		049	Cyan R = 0 G = 255 B = 255 W = 0
		050 ⇔ 086	- Blue R = 0 G = 255 B = 255–0 W = 0
		087	Green R = 0 G = 255 B = 0 W = 0
		088 ⇔ 124	+ Red R = 0–255 G = 255 B = 0 W = 0
		125	Yellow R = 255 G = 255 B = 0 W = 0
		126 ⇔ 162	- Green R = 255 G = 255–0 B = 0 W = 0
		163	Red R = 255 G = 0 B = 0 W = 0
		164 ⇔ 200	+ Blue R = 255 G = 0 B = 0–255 W = 0
		201	Magenta R = 255 G = 0 B = 255 W = 0
		202 ⇔ 238	- Red R = 255–0 G = 0 B = 255 W = 0
		239	Blue R = 0 G = 0 B = 255 W = 0
		240 ⇔ 247	Color fade, fast to slow
248 ⇔ 255	Color snap, fast to slow		
11	Gobo	000	No function
		001 ⇔ 255	Gobos (indexed)
12	LED Macro / Auto Program	000 ⇔ 015	No function
		016 ⇔ 135	LED macros
		136 ⇔ 255	Auto programs
13	LED Macro / Auto Program Speed	000 ⇔ 127	Auto speed, fast to slow clockwise
		128	Hold
		129 ⇔ 255	Auto speed, slow to fast counterclockwise
14	LED Built-in Delay	000 ⇔ 255	Fast to slow
15	Background Color	000	No function
		001 ⇔ 002	2700K R = 156 G = 118 B = 0 W = 63
		003 ⇔ 004	3200K R = 156 G = 141 B = 5 W = 89
		005 ⇔ 006	4200K R = 156 G = 141 B = 14 W = 255
		007 ⇔ 008	5600K R = 156 G = 207 B = 54 W = 255
		009 ⇔ 010	8000K R = 130 G = 255 B = 96 W = 255
		011	Blue R = 0 G = 0 B = 255 W = 0
		012 ⇔ 048	+ Green R = 0 G = 0–255 B = 255 W = 0
		049	Cyan R = 0 G = 255 B = 255 W = 0
		050 ⇔ 086	- Blue R = 0 G = 255 B = 255–0 W = 0
		087	Green R = 0 G = 255 B = 0 W = 0
		088 ⇔ 124	+ Red R = 0–255 G = 255 B = 0 W = 0
		125	Yellow R = 255 G = 255 B = 0 W = 0
		126 ⇔ 162	- Green R = 255 G = 255–0 B = 0 W = 0
		163	Red R = 255 G = 0 B = 0 W = 0
		164 ⇔ 200	+ Blue R = 255 G = 0 B = 0–255 W = 0
		201	Magenta R = 255 G = 0 B = 255 W = 0
		202 ⇔ 238	- Red R = 255–0 G = 0 B = 255 W = 0
		239	Blue R = 0 G = 0 B = 255 W = 0
		240 ⇔ 247	Color fade, fast to slow
248 ⇔ 255	Color snap, fast to slow		
16	Background Dimmer	000 ⇔ 255	0–100%
17	Background Fine Dimmer	000 ⇔ 255	0–100%
18	Ring Dimmer	000 ⇔ 255	0–100%
19	Ring Fine Dimmer	000 ⇔ 255	0–100%

QUICK REFERENCE GUIDE



EN

Channel	Function	Value	Percent/Setting
20	Beam Dimmer	000 ⇄ 255	0–100%
21	Beam Fine Dimmer	000 ⇄ 255	0–100%
22	Ring Shutter	000 ⇄ 019	Off
		020 ⇄ 024	On
		025 ⇄ 069	Strobe, fast to slow
		070 ⇄ 089	Strobe 100–0%, fast to slow
		090 ⇄ 109	Strobe 0–100%, fast to slow
		110 ⇄ 129	Random strobe, fast to slow
		130 ⇄ 149	Random strobe 100–0%, fast to slow
		150 ⇄ 169	Random strobe 0–100%, fast to slow
		170 ⇄ 189	Pulse strobe, fast to slow
		190 ⇄ 209	Random pulse strobe, fast to slow
		210 ⇄ 229	Strobe 0–100–0%, fast to slow
		230 ⇄ 244	Random pulse strobe, fast to slow
245 ⇄ 255	On		
23	Beam Shutter	000 ⇄ 019	Off
		020 ⇄ 024	On
		025 ⇄ 069	Strobe, fast to slow
		070 ⇄ 089	Strobe 100–0%, fast to slow
		090 ⇄ 109	Strobe 0–100%, fast to slow
		110 ⇄ 129	Random strobe, fast to slow
		130 ⇄ 149	Random strobe 100–0%, fast to slow
		150 ⇄ 169	Random strobe 0–100%, fast to slow
		170 ⇄ 189	Pulse strobe, fast to slow
		190 ⇄ 209	Random pulse strobe, fast to slow
		210 ⇄ 229	Strobe 0–100–0%, fast to slow
		230 ⇄ 244	Random pulse strobe, fast to slow
245 ⇄ 255	On		
24	Zoom	000 ⇄ 255	Wide to narrow
25	Control	000 ⇄ 009	No function
		010 ⇄ 014	Blackout on Pan/Tilt
		015 ⇄ 019	Reserved for future use
		020 ⇄ 024	RGBW (additive) color-mixing mode
		025 ⇄ 029	CMY (subtractive) color-mixing mode
		030 ⇄ 049	Reserved for future use
		050 ⇄ 054	Pan reset
		055 ⇄ 059	Tilt reset
		060 ⇄ 064	Zoom reset
		065 ⇄ 069	Reserved for future use
		070 ⇄ 074	Reset all
		075 ⇄ 109	Reserved for future use
		110 ⇄ 114	Fast Pan/Tilt speed
		115 ⇄ 119	Slow Pan/tilt speed
		120 ⇄ 124	Slow fan mode
		125 ⇄ 129	Full fan mode
		130 ⇄ 134	Auto fan mode
		135 ⇄ 139	Fast dimmer mode
140 ⇄ 144	Slow dimmer mode		
145 ⇄ 255	Reserved for future use		
26	Main Red	000 ⇄ 255	RGBW Mode: 0–100% / CMY Mode: 100–0%
27	Main Fine Red	000 ⇄ 255	RGBW Mode: 0–100% / CMY Mode: 100–0%
28	Main Green	000 ⇄ 255	RGBW Mode: 0–100% / CMY Mode: 100–0%
29	Main Fine Green	000 ⇄ 255	RGBW Mode: 0–100% / CMY Mode: 100–0%
30	Main Blue	000 ⇄ 255	RGBW Mode: 0–100% / CMY Mode: 100–0%
31	Main Fine Blue	000 ⇄ 255	RGBW Mode: 0–100% / CMY Mode: 100–0%

Channel	Function	Value	Percent/Setting
32	Main White	000 ⇄ 255	RGBW Mode: 0–100% / CMY Mode: 100–0%
33	Main Fine White	000 ⇄ 255	RGBW Mode: 0–100% / CMY Mode: 100–0%
34	Red 1	000 ⇄ 255	RGBW Mode: 0–100% / CMY Mode: 100–0%
35	Fine Red 1	000 ⇄ 255	RGBW Mode: 0–100% / CMY Mode: 100–0%
36	Green 1	000 ⇄ 255	RGBW Mode: 0–100% / CMY Mode: 100–0%
37	Fine Green 1	000 ⇄ 255	RGBW Mode: 0–100% / CMY Mode: 100–0%
38	Blue 1	000 ⇄ 255	RGBW Mode: 0–100% / CMY Mode: 100–0%
39	Fine Blue 1	000 ⇄ 255	RGBW Mode: 0–100% / CMY Mode: 100–0%
40	White 1	000 ⇄ 255	RGBW Mode: 0–100% / CMY Mode: 100–0%
41	Fine White 1	000 ⇄ 255	RGBW Mode: 0–100% / CMY Mode: 100–0%
42	Red 2	000 ⇄ 255	RGBW Mode: 0–100% / CMY Mode: 100–0%
43	Fine Red 2	000 ⇄ 255	RGBW Mode: 0–100% / CMY Mode: 100–0%
44	Green 2	000 ⇄ 255	RGBW Mode: 0–100% / CMY Mode: 100–0%
45	Fine Green 2	000 ⇄ 255	RGBW Mode: 0–100% / CMY Mode: 100–0%
46	Blue 2	000 ⇄ 255	RGBW Mode: 0–100% / CMY Mode: 100–0%
47	Fine Blue 2	000 ⇄ 255	RGBW Mode: 0–100% / CMY Mode: 100–0%
48	White 2	000 ⇄ 255	RGBW Mode: 0–100% / CMY Mode: 100–0%
49	Fine White 2	000 ⇄ 255	RGBW Mode: 0–100% / CMY Mode: 100–0%
50	Red 3	000 ⇄ 255	RGBW Mode: 0–100% / CMY Mode: 100–0%
51	Fine Red 3	000 ⇄ 255	RGBW Mode: 0–100% / CMY Mode: 100–0%
52	Green 3	000 ⇄ 255	RGBW Mode: 0–100% / CMY Mode: 100–0%
53	Fine Green 3	000 ⇄ 255	RGBW Mode: 0–100% / CMY Mode: 100–0%
54	Blue 3	000 ⇄ 255	RGBW Mode: 0–100% / CMY Mode: 100–0%
55	Fine Blue 3	000 ⇄ 255	RGBW Mode: 0–100% / CMY Mode: 100–0%
56	White 3	000 ⇄ 255	RGBW Mode: 0–100% / CMY Mode: 100–0%
57	Fine White 3	000 ⇄ 255	RGBW Mode: 0–100% / CMY Mode: 100–0%
58	Red 4	000 ⇄ 255	RGBW Mode: 0–100% / CMY Mode: 100–0%
59	Fine Red 4	000 ⇄ 255	RGBW Mode: 0–100% / CMY Mode: 100–0%
60	Green 4	000 ⇄ 255	RGBW Mode: 0–100% / CMY Mode: 100–0%
61	Fine Green 4	000 ⇄ 255	RGBW Mode: 0–100% / CMY Mode: 100–0%
62	Blue 4	000 ⇄ 255	RGBW Mode: 0–100% / CMY Mode: 100–0%
63	Fine Blue 4	000 ⇄ 255	RGBW Mode: 0–100% / CMY Mode: 100–0%
64	White 4	000 ⇄ 255	RGBW Mode: 0–100% / CMY Mode: 100–0%
65	Fine White 4	000 ⇄ 255	RGBW Mode: 0–100% / CMY Mode: 100–0%
66	Red 5	000 ⇄ 255	RGBW Mode: 0–100% / CMY Mode: 100–0%
67	Fine Red 5	000 ⇄ 255	RGBW Mode: 0–100% / CMY Mode: 100–0%
68	Green 5	000 ⇄ 255	RGBW Mode: 0–100% / CMY Mode: 100–0%
69	Fine Green 5	000 ⇄ 255	RGBW Mode: 0–100% / CMY Mode: 100–0%
70	Blue 5	000 ⇄ 255	RGBW Mode: 0–100% / CMY Mode: 100–0%
71	Fine Blue 5	000 ⇄ 255	RGBW Mode: 0–100% / CMY Mode: 100–0%
72	White 5	000 ⇄ 255	RGBW Mode: 0–100% / CMY Mode: 100–0%
73	Fine White 5	000 ⇄ 255	RGBW Mode: 0–100% / CMY Mode: 100–0%
74	Red 6	000 ⇄ 255	RGBW Mode: 0–100% / CMY Mode: 100–0%
75	Fine Red 6	000 ⇄ 255	RGBW Mode: 0–100% / CMY Mode: 100–0%
76	Green 6	000 ⇄ 255	RGBW Mode: 0–100% / CMY Mode: 100–0%
77	Fine Green 6	000 ⇄ 255	RGBW Mode: 0–100% / CMY Mode: 100–0%
78	Blue 6	000 ⇄ 255	RGBW Mode: 0–100% / CMY Mode: 100–0%
79	Fine Blue 6	000 ⇄ 255	RGBW Mode: 0–100% / CMY Mode: 100–0%
80	White 6	000 ⇄ 255	RGBW Mode: 0–100% / CMY Mode: 100–0%
81	Fine White 6	000 ⇄ 255	RGBW Mode: 0–100% / CMY Mode: 100–0%
82	Red 7	000 ⇄ 255	RGBW Mode: 0–100% / CMY Mode: 100–0%
83	Fine Red 7	000 ⇄ 255	RGBW Mode: 0–100% / CMY Mode: 100–0%
84	Green 7	000 ⇄ 255	RGBW Mode: 0–100% / CMY Mode: 100–0%
85	Fine Green 7	000 ⇄ 255	RGBW Mode: 0–100% / CMY Mode: 100–0%
86	Blue 7	000 ⇄ 255	RGBW Mode: 0–100% / CMY Mode: 100–0%

QUICK REFERENCE GUIDE



EN

Channel	Function	Value	Percent/Setting
87	Fine Blue 7	000 ⇄ 255	RGBW Mode: 0–100% / CMY Mode: 100–0%
88	White 7	000 ⇄ 255	RGBW Mode: 0–100% / CMY Mode: 100–0%
89	Fine White 7	000 ⇄ 255	RGBW Mode: 0–100% / CMY Mode: 100–0%
90	Red 8	000 ⇄ 255	RGBW Mode: 0–100% / CMY Mode: 100–0%
91	Fine Red 8	000 ⇄ 255	RGBW Mode: 0–100% / CMY Mode: 100–0%
92	Green 8	000 ⇄ 255	RGBW Mode: 0–100% / CMY Mode: 100–0%
93	Fine Green 8	000 ⇄ 255	RGBW Mode: 0–100% / CMY Mode: 100–0%
94	Blue 8	000 ⇄ 255	RGBW Mode: 0–100% / CMY Mode: 100–0%
95	Fine Blue 8	000 ⇄ 255	RGBW Mode: 0–100% / CMY Mode: 100–0%
96	White 8	000 ⇄ 255	RGBW Mode: 0–100% / CMY Mode: 100–0%
97	Fine White 8	000 ⇄ 255	RGBW Mode: 0–100% / CMY Mode: 100–0%
98	Red 9	000 ⇄ 255	RGBW Mode: 0–100% / CMY Mode: 100–0%
99	Fine Red 9	000 ⇄ 255	RGBW Mode: 0–100% / CMY Mode: 100–0%
100	Green 9	000 ⇄ 255	RGBW Mode: 0–100% / CMY Mode: 100–0%
101	Fine Green 9	000 ⇄ 255	RGBW Mode: 0–100% / CMY Mode: 100–0%
102	Blue 9	000 ⇄ 255	RGBW Mode: 0–100% / CMY Mode: 100–0%
103	Fine Blue 9	000 ⇄ 255	RGBW Mode: 0–100% / CMY Mode: 100–0%
104	White 9	000 ⇄ 255	RGBW Mode: 0–100% / CMY Mode: 100–0%
105	Fine White 9	000 ⇄ 255	RGBW Mode: 0–100% / CMY Mode: 100–0%
106	Red 10	000 ⇄ 255	RGBW Mode: 0–100% / CMY Mode: 100–0%
107	Fine Red 10	000 ⇄ 255	RGBW Mode: 0–100% / CMY Mode: 100–0%
108	Green 10	000 ⇄ 255	RGBW Mode: 0–100% / CMY Mode: 100–0%
109	Fine Green 10	000 ⇄ 255	RGBW Mode: 0–100% / CMY Mode: 100–0%
110	Blue 10	000 ⇄ 255	RGBW Mode: 0–100% / CMY Mode: 100–0%
111	Fine Blue 10	000 ⇄ 255	RGBW Mode: 0–100% / CMY Mode: 100–0%
112	White 10	000 ⇄ 255	RGBW Mode: 0–100% / CMY Mode: 100–0%
113	Fine White 10	000 ⇄ 255	RGBW Mode: 0–100% / CMY Mode: 100–0%

Single Control: Standard Mode (66Ch)

Channel	Function	Value	Percent/Setting
1	Pan	000 ⇔ 255	0–100%
2	Pan Fine	000 ⇔ 255	0–100%
3	Tilt	000 ⇔ 255	0–100%
4	Tilt Fine	000 ⇔ 255	0–100%
5	Continuous Pan	000	No function
		001 ⇔ 127	Continuous pan, fast to slow
		128	No function
6	Continuous Tilt	129 ⇔ 255	Reverse continuous pan, slow to fast
		000	No function
		001 ⇔ 127	Continuous tilt, fast to slow
7	Pan/Tilt Speed	128	No function
		129 ⇔ 255	Reverse continuous tilt, slow to fast
		000 ⇔ 255	Fast to slow
8	CTC	000	No function
		001 ⇔ 255	Color temperature, 2800–10000 K
9	Ring Color	000	No function
		001 ⇔ 002	2700K R = 156 G = 118 B = 0 W = 63
		003 ⇔ 004	3200K R = 156 G = 141 B = 5 W = 89
		005 ⇔ 006	4200K R = 156 G = 141 B = 14 W = 255
		007 ⇔ 008	5600K R = 156 G = 207 B = 54 W = 255
		009 ⇔ 010	8000K R = 130 G = 255 B = 96 W = 255
		011	Blue R = 0 G = 0 B = 255 W = 0
		012 ⇔ 048	+ Green R = 0 G = 0–255 B = 255 W = 0
		049	Cyan R = 0 G = 255 B = 255 W = 0
		050 ⇔ 086	- Blue R = 0 G = 255 B = 255–0 W = 0
		087	Green R = 0 G = 255 B = 0 W = 0
		088 ⇔ 124	+ Red R = 0–255 G = 255 B = 0 W = 0
		125	Yellow R = 255 G = 255 B = 0 W = 0
		126 ⇔ 162	- Green R = 255 G = 255–0 B = 0 W = 0
		163	Red R = 255 G = 0 B = 0 W = 0
		164 ⇔ 200	+ Blue R = 255 G = 0 B = 0–255 W = 0
		201	Magenta R = 255 G = 0 B = 255 W = 0
		202 ⇔ 238	- Red R = 255–0 G = 0 B = 255 W = 0
		239	Blue R = 0 G = 0 B = 255 W = 0
		240 ⇔ 247	Color fade, fast to slow
248 ⇔ 255	Color snap, fast to slow		

QUICK REFERENCE GUIDE



EN

Channel	Function	Value	Percent/Setting
10	Beam Color	000	No function
		001 ⇔ 002	2700K R = 156 G = 118 B = 0 W = 63
		003 ⇔ 004	3200K R = 156 G = 141 B = 5 W = 89
		005 ⇔ 006	4200K R = 156 G = 141 B = 14 W = 255
		007 ⇔ 008	5600K R = 156 G = 207 B = 54 W = 255
		009 ⇔ 010	8000K R = 130 G = 255 B = 96 W = 255
		011	Blue R = 0 G = 0 B = 255 W = 0
		012 ⇔ 048	+ Green R = 0 G = 0-255 B = 255 W = 0
		049	Cyan R = 0 G = 255 B = 255 W = 0
		050 ⇔ 086	- Blue R = 0 G = 255 B = 255-0 W = 0
		087	Green R = 0 G = 255 B = 0 W = 0
		088 ⇔ 124	+ Red R = 0-255 G = 255 B = 0 W = 0
		125	Yellow R = 255 G = 255 B = 0 W = 0
		126 ⇔ 162	- Green R = 255 G = 255-0 B = 0 W = 0
		163	Red R = 255 G = 0 B = 0 W = 0
		164 ⇔ 200	+ Blue R = 255 G = 0 B = 0-255 W = 0
		201	Magenta R = 255 G = 0 B = 255 W = 0
		202 ⇔ 238	- Red R = 255-0 G = 0 B = 255 W = 0
		239	Blue R = 0 G = 0 B = 255 W = 0
		240 ⇔ 247	Color fade, fast to slow
248 ⇔ 255	Color snap, fast to slow		
11	Gobo	000	No function
		001 ⇔ 255	Gobos (indexed)
12	LED Macro / Auto Program	000 ⇔ 015	No function
		016 ⇔ 135	LED macros
		136 ⇔ 255	Auto programs
13	LED Macro / Auto Program Speed	000 ⇔ 127	Auto speed, fast to slow clockwise
		128	Hold
		129 ⇔ 255	Auto speed, slow to fast counterclockwise
14	LED Built-in Delay	000 ⇔ 255	Fast to slow
15	Background Color	000	No function
		001 ⇔ 002	2700K R = 156 G = 118 B = 0 W = 63
		003 ⇔ 004	3200K R = 156 G = 141 B = 5 W = 89
		005 ⇔ 006	4200K R = 156 G = 141 B = 14 W = 255
		007 ⇔ 008	5600K R = 156 G = 207 B = 54 W = 255
		009 ⇔ 010	8000K R = 130 G = 255 B = 96 W = 255
		011	Blue R = 0 G = 0 B = 255 W = 0
		012 ⇔ 048	+ Green R = 0 G = 0-255 B = 255 W = 0
		049	Cyan R = 0 G = 255 B = 255 W = 0
		050 ⇔ 086	- Blue R = 0 G = 255 B = 255-0 W = 0
		087	Green R = 0 G = 255 B = 0 W = 0
		088 ⇔ 124	+ Red R = 0-255 G = 255 B = 0 W = 0
		125	Yellow R = 255 G = 255 B = 0 W = 0
		126 ⇔ 162	- Green R = 255 G = 255-0 B = 0 W = 0
		163	Red R = 255 G = 0 B = 0 W = 0
		164 ⇔ 200	+ Blue R = 255 G = 0 B = 0-255 W = 0
		201	Magenta R = 255 G = 0 B = 255 W = 0
		202 ⇔ 238	- Red R = 255-0 G = 0 B = 255 W = 0
		239	Blue R = 0 G = 0 B = 255 W = 0
		240 ⇔ 247	Color fade, fast to slow
248 ⇔ 255	Color snap, fast to slow		
16	Background Dimmer	000 ⇔ 255	0-100%
17	Ring Dimmer	000 ⇔ 255	0-100%
18	Beam Dimmer	000 ⇔ 255	0-100%

Channel	Function	Value	Percent/Setting
19	Ring Shutter	000 ⇔ 019	Off
		020 ⇔ 024	On
		025 ⇔ 069	Strobe, fast to slow
		070 ⇔ 089	Strobe 100–0%, fast to slow
		090 ⇔ 109	Strobe 0–100%, fast to slow
		110 ⇔ 129	Random strobe, fast to slow
		130 ⇔ 149	Random strobe 100–0%, fast to slow
		150 ⇔ 169	Random strobe 0–100%, fast to slow
		170 ⇔ 189	Pulse strobe, fast to slow
		190 ⇔ 209	Random pulse strobe, fast to slow
		210 ⇔ 229	Strobe 0–100–0%, fast to slow
		230 ⇔ 244	Random pulse strobe, fast to slow
		245 ⇔ 255	On
20	Beam Shutter	000 ⇔ 019	Off
		020 ⇔ 024	On
		025 ⇔ 069	Strobe, fast to slow
		070 ⇔ 089	Strobe 100–0%, fast to slow
		090 ⇔ 109	Strobe 0–100%, fast to slow
		110 ⇔ 129	Random strobe, fast to slow
		130 ⇔ 149	Random strobe 100–0%, fast to slow
		150 ⇔ 169	Random strobe 0–100%, fast to slow
		170 ⇔ 189	Pulse strobe, fast to slow
		190 ⇔ 209	Random pulse strobe, fast to slow
		210 ⇔ 229	Strobe 0–100–0%, fast to slow
		230 ⇔ 244	Random pulse strobe, fast to slow
		245 ⇔ 255	On
21	Zoom	000 ⇔ 255	Wide to narrow
22	Control	000 ⇔ 009	No function
		010 ⇔ 014	Blackout on Pan/Tilt
		015 ⇔ 019	Reserved for future use
		020 ⇔ 024	RGBW (additive) color mixing mode
		025 ⇔ 029	CMY (subtractive) color mixing mode
		030 ⇔ 049	Reserved for future use
		050 ⇔ 054	Pan reset
		055 ⇔ 059	Tilt reset
		060 ⇔ 064	Zoom reset
		065 ⇔ 069	Reserved for future use
		070 ⇔ 074	Reset all
		075 ⇔ 109	Reserved for future use
		110 ⇔ 114	Fast Pan/Tilt speed
		115 ⇔ 119	Slow Pan/tilt speed
		120 ⇔ 124	Slow fan mode
		125 ⇔ 129	Full fan mode
		130 ⇔ 134	Auto fan mode
		135 ⇔ 139	Fast dimmer mode
		140 ⇔ 144	Slow dimmer mode
145 ⇔ 255	Reserved for future use		
23	Main Red	000 ⇔ 255	RGBW Mode: 0–100% / CMY Mode: 100–0%
24	Main Green	000 ⇔ 255	RGBW Mode: 0–100% / CMY Mode: 100–0%
25	Main Blue	000 ⇔ 255	RGBW Mode: 0–100% / CMY Mode: 100–0%
26	Main White	000 ⇔ 255	RGBW Mode: 0–100% / CMY Mode: 100–0%
27	Red 1	000 ⇔ 255	RGBW Mode: 0–100% / CMY Mode: 100–0%
28	Green 1	000 ⇔ 255	RGBW Mode: 0–100% / CMY Mode: 100–0%
29	Blue 1	000 ⇔ 255	RGBW Mode: 0–100% / CMY Mode: 100–0%
30	White 1	000 ⇔ 255	RGBW Mode: 0–100% / CMY Mode: 100–0%

QUICK REFERENCE GUIDE



EN

Channel	Function	Value	Percent/Setting
31	Red 2	000 ⇔ 255	RGBW Mode: 0–100% / CMY Mode: 100–0%
32	Green 2	000 ⇔ 255	RGBW Mode: 0–100% / CMY Mode: 100–0%
33	Blue 2	000 ⇔ 255	RGBW Mode: 0–100% / CMY Mode: 100–0%
34	White 2	000 ⇔ 255	RGBW Mode: 0–100% / CMY Mode: 100–0%
35	Red 3	000 ⇔ 255	RGBW Mode: 0–100% / CMY Mode: 100–0%
36	Green 3	000 ⇔ 255	RGBW Mode: 0–100% / CMY Mode: 100–0%
37	Blue 3	000 ⇔ 255	RGBW Mode: 0–100% / CMY Mode: 100–0%
38	White 3	000 ⇔ 255	RGBW Mode: 0–100% / CMY Mode: 100–0%
39	Red 4	000 ⇔ 255	RGBW Mode: 0–100% / CMY Mode: 100–0%
40	Green 4	000 ⇔ 255	RGBW Mode: 0–100% / CMY Mode: 100–0%
41	Blue 4	000 ⇔ 255	RGBW Mode: 0–100% / CMY Mode: 100–0%
42	White 4	000 ⇔ 255	RGBW Mode: 0–100% / CMY Mode: 100–0%
43	Red 5	000 ⇔ 255	RGBW Mode: 0–100% / CMY Mode: 100–0%
44	Green 5	000 ⇔ 255	RGBW Mode: 0–100% / CMY Mode: 100–0%
45	Blue 5	000 ⇔ 255	RGBW Mode: 0–100% / CMY Mode: 100–0%
46	White 5	000 ⇔ 255	RGBW Mode: 0–100% / CMY Mode: 100–0%
47	Red 6	000 ⇔ 255	RGBW Mode: 0–100% / CMY Mode: 100–0%
48	Green 6	000 ⇔ 255	RGBW Mode: 0–100% / CMY Mode: 100–0%
49	Blue 6	000 ⇔ 255	RGBW Mode: 0–100% / CMY Mode: 100–0%
50	White 6	000 ⇔ 255	RGBW Mode: 0–100% / CMY Mode: 100–0%
51	Red 7	000 ⇔ 255	RGBW Mode: 0–100% / CMY Mode: 100–0%
52	Green 7	000 ⇔ 255	RGBW Mode: 0–100% / CMY Mode: 100–0%
53	Blue 7	000 ⇔ 255	RGBW Mode: 0–100% / CMY Mode: 100–0%
54	White 7	000 ⇔ 255	RGBW Mode: 0–100% / CMY Mode: 100–0%
55	Red 8	000 ⇔ 255	RGBW Mode: 0–100% / CMY Mode: 100–0%
56	Green 8	000 ⇔ 255	RGBW Mode: 0–100% / CMY Mode: 100–0%
57	Blue 8	000 ⇔ 255	RGBW Mode: 0–100% / CMY Mode: 100–0%
58	White 8	000 ⇔ 255	RGBW Mode: 0–100% / CMY Mode: 100–0%
59	Red 9	000 ⇔ 255	RGBW Mode: 0–100% / CMY Mode: 100–0%
60	Green 9	000 ⇔ 255	RGBW Mode: 0–100% / CMY Mode: 100–0%
61	Blue 9	000 ⇔ 255	RGBW Mode: 0–100% / CMY Mode: 100–0%
62	White 9	000 ⇔ 255	RGBW Mode: 0–100% / CMY Mode: 100–0%
63	Red 10	000 ⇔ 255	RGBW Mode: 0–100% / CMY Mode: 100–0%
64	Green 10	000 ⇔ 255	RGBW Mode: 0–100% / CMY Mode: 100–0%
65	Blue 10	000 ⇔ 255	RGBW Mode: 0–100% / CMY Mode: 100–0%
66	White 10	000 ⇔ 255	RGBW Mode: 0–100% / CMY Mode: 100–0%

Single Control: Basic Mode (26Ch)

Channel	Function	Value	Percent/Setting
1	Pan	000 ⇔ 255	0–100%
2	Pan Fine	000 ⇔ 255	0–100%
3	Tilt	000 ⇔ 255	0–100%
4	Tilt Fine	000 ⇔ 255	0–100%
5	Continuous Pan	000	No function
		001 ⇔ 127	Continuous pan, fast to slow
		128	No function
		129 ⇔ 255	Reverse continuous pan, slow to fast
6	Continuous Tilt	000	No function
		001 ⇔ 127	Continuous tilt, fast to slow
		128	No function
		129 ⇔ 255	Reverse continuous tilt, slow to fast
7	Pan/Tilt Speed	000 ⇔ 255	Fast to slow
8	CTC	000	No function
		001 ⇔ 255	Color temperature, 2800–10000 K
9	Ring Color	000	No function
		001 ⇔ 002	2700K R = 156 G = 118 B = 0 W = 63
		003 ⇔ 004	3200K R = 156 G = 141 B = 5 W = 89
		005 ⇔ 006	4200K R = 156 G = 141 B = 14 W = 255
		007 ⇔ 008	5600K R = 156 G = 207 B = 54 W = 255
		009 ⇔ 010	8000K R = 130 G = 255 B = 96 W = 255
		011	Blue R = 0 G = 0 B = 255 W = 0
		012 ⇔ 048	+ Green R = 0 G = 0–255 B = 255 W = 0
		049	Cyan R = 0 G = 255 B = 255 W = 0
		050 ⇔ 086	- Blue R = 0 G = 255 B = 255–0 W = 0
		087	Green R = 0 G = 255 B = 0 W = 0
		088 ⇔ 124	+ Red R = 0–255 G = 255 B = 0 W = 0
		125	Yellow R = 255 G = 255 B = 0 W = 0
		126 ⇔ 162	- Green R = 255 G = 255–0 B = 0 W = 0
		163	Red R = 255 G = 0 B = 0 W = 0
		164 ⇔ 200	+ Blue R = 255 G = 0 B = 0–255 W = 0
		201	Magenta R = 255 G = 0 B = 255 W = 0
		202 ⇔ 238	- Red R = 255–0 G = 0 B = 255 W = 0
		239	Blue R = 0 G = 0 B = 255 W = 0
		240 ⇔ 247	Color fade, fast to slow
248 ⇔ 255	Color snap, fast to slow		

QUICK REFERENCE GUIDE



EN

Channel	Function	Value	Percent/Setting				
10	Beam Color	000	No function				
		001 ⇔ 002	2700K	R = 156	G = 118	B = 0	W = 63
		003 ⇔ 004	3200K	R = 156	G = 141	B = 5	W = 89
		005 ⇔ 006	4200K	R = 156	G = 141	B = 14	W = 255
		007 ⇔ 008	5600K	R = 156	G = 207	B = 54	W = 255
		009 ⇔ 010	8000K	R = 130	G = 255	B = 96	W = 255
		011	Blue	R = 0	G = 0	B = 255	W = 0
		012 ⇔ 048	+ Green	R = 0	G = 0–255	B = 255	W = 0
		049	Cyan	R = 0	G = 255	B = 255	W = 0
		050 ⇔ 086	- Blue	R = 0	G = 255	B = 255–0	W = 0
		087	Green	R = 0	G = 255	B = 0	W = 0
		088 ⇔ 124	+ Red	R = 0–255	G = 255	B = 0	W = 0
		125	Yellow	R = 255	G = 255	B = 0	W = 0
		126 ⇔ 162	- Green	R = 255	G = 255–0	B = 0	W = 0
		163	Red	R = 255	G = 0	B = 0	W = 0
		164 ⇔ 200	+ Blue	R = 255	G = 0	B = 0–255	W = 0
		201	Magenta	R = 255	G = 0	B = 255	W = 0
		202 ⇔ 238	- Red	R = 255–0	G = 0	B = 255	W = 0
		239	Blue	R = 0	G = 0	B = 255	W = 0
		240 ⇔ 247	Color fade, fast to slow				
248 ⇔ 255	Color snap, fast to slow						
11	Gobo	000	No function				
		001 ⇔ 255	Gobos (indexed)				
12	LED Macro / Auto Program	000 ⇔ 015	No function				
		016 ⇔ 135	LED macros				
		136 ⇔ 255	Auto programs				
13	LED Macro / Auto Program Speed	000 ⇔ 127	Auto speed, fast to slow clockwise				
		128	Hold				
		129 ⇔ 255	Auto speed, slow to fast counterclockwise				
14	LED Built-in Delay	000 ⇔ 255	Fast to slow				
15	Background Color	000	No function				
		001 ⇔ 002	2700K	R = 156	G = 118	B = 0	W = 63
		003 ⇔ 004	3200K	R = 156	G = 141	B = 5	W = 89
		005 ⇔ 006	4200K	R = 156	G = 141	B = 14	W = 255
		007 ⇔ 008	5600K	R = 156	G = 207	B = 54	W = 255
		009 ⇔ 010	8000K	R = 130	G = 255	B = 96	W = 255
		011	Blue	R = 0	G = 0	B = 255	W = 0
		012 ⇔ 048	+ Green	R = 0	G = 0–255	B = 255	W = 0
		049	Cyan	R = 0	G = 255	B = 255	W = 0
		050 ⇔ 086	- Blue	R = 0	G = 255	B = 255–0	W = 0
		087	Green	R = 0	G = 255	B = 0	W = 0
		088 ⇔ 124	+ Red	R = 0–255	G = 255	B = 0	W = 0
		125	Yellow	R = 255	G = 255	B = 0	W = 0
		126 ⇔ 162	- Green	R = 255	G = 255–0	B = 0	W = 0
		163	Red	R = 255	G = 0	B = 0	W = 0
		164 ⇔ 200	+ Blue	R = 255	G = 0	B = 0–255	W = 0
		201	Magenta	R = 255	G = 0	B = 255	W = 0
		202 ⇔ 238	- Red	R = 255–0	G = 0	B = 255	W = 0
		239	Blue	R = 0	G = 0	B = 255	W = 0
		240 ⇔ 247	Color fade, fast to slow				
248 ⇔ 255	Color snap, fast to slow						
16	Background Dimmer	000 ⇔ 255	0–100%				
17	Ring Dimmer	000 ⇔ 255	0–100%				
18	Beam Dimmer	000 ⇔ 255	0–100%				

Channel	Function	Value	Percent/Setting
19	Ring Shutter	000 ⇔ 019	Off
		020 ⇔ 024	On
		025 ⇔ 069	Strobe, fast to slow
		070 ⇔ 089	Strobe 100–0%, fast to slow
		090 ⇔ 109	Strobe 0–100%, fast to slow
		110 ⇔ 129	Random strobe, fast to slow
		130 ⇔ 149	Random strobe 100–0%, fast to slow
		150 ⇔ 169	Random strobe 0–100%, fast to slow
		170 ⇔ 189	Pulse strobe, fast to slow
		190 ⇔ 209	Random pulse strobe, fast to slow
		210 ⇔ 229	Strobe 0–100–0%, fast to slow
		230 ⇔ 244	Random pulse strobe, fast to slow
245 ⇔ 255	On		
20	Beam Shutter	000 ⇔ 019	Off
		020 ⇔ 024	On
		025 ⇔ 069	Strobe, fast to slow
		070 ⇔ 089	Strobe 100–0%, fast to slow
		090 ⇔ 109	Strobe 0–100%, fast to slow
		110 ⇔ 129	Random strobe, fast to slow
		130 ⇔ 149	Random strobe 100–0%, fast to slow
		150 ⇔ 169	Random strobe 0–100%, fast to slow
		170 ⇔ 189	Pulse strobe, fast to slow
		190 ⇔ 209	Random pulse strobe, fast to slow
		210 ⇔ 229	Strobe 0–100–0%, fast to slow
		230 ⇔ 244	Random pulse strobe, fast to slow
245 ⇔ 255	On		
21	Zoom	000 ⇔ 255	Wide to narrow
22	Control	000 ⇔ 009	No function
		010 ⇔ 014	Blackout on Pan/Tilt
		015 ⇔ 019	Reserved for future use
		020 ⇔ 024	RGBW (additive) color mixing mode
		025 ⇔ 029	CMY (subtractive) color mixing mode
		030 ⇔ 049	Reserved for future use
		050 ⇔ 054	Pan reset
		055 ⇔ 059	Tilt reset
		060 ⇔ 064	Zoom reset
		065 ⇔ 069	Reserved for future use
		070 ⇔ 074	Reset all
		075 ⇔ 109	Reserved for future use
		110 ⇔ 114	Fast Pan/Tilt speed
		115 ⇔ 119	Slow Pan/tilt speed
		120 ⇔ 124	Slow fan mode
		125 ⇔ 129	Full fan mode
		130 ⇔ 134	Auto fan mode
135 ⇔ 139	Fast dimmer mode		
140 ⇔ 144	Slow dimmer mode		
145 ⇔ 255	Reserved for future use		
23	Main Red	000 ⇔ 255	RGBW Mode: 0–100% / CMY Mode: 100–0%
24	Main Green	000 ⇔ 255	RGBW Mode: 0–100% / CMY Mode: 100–0%
25	Main Blue	000 ⇔ 255	RGBW Mode: 0–100% / CMY Mode: 100–0%
26	Main White	000 ⇔ 255	RGBW Mode: 0–100% / CMY Mode: 100–0%

QUICK REFERENCE GUIDE



EN

Dual Control Values (Movement)

Dual Control: Advanced Movement Mode (41Ch)

Channel	Function	Value	Percent/Setting
1	Pan	000 ⇔ 255	0–100%
2	Pan Fine	000 ⇔ 255	0–100%
3	Tilt	000 ⇔ 255	0–100%
4	Tilt Fine	000 ⇔ 255	0–100%
5	Continuous Pan	000	No function
		001 ⇔ 127	Continuous pan, fast to slow
		128	No function
		129 ⇔ 255	Reverse continuous pan, slow to fast
6	Continuous Tilt	000	No function
		001 ⇔ 127	Continuous tilt, fast to slow
		128	No function
		129 ⇔ 255	Reverse continuous tilt, slow to fast
7	Pan/Tilt Speed	000 ⇔ 255	Fast to slow
8	CTC	000	No function
		001 ⇔ 255	Color temperature, 2800–10000 K
9	Ring Color	000	No function
		001 ⇔ 002	2700K R = 156 G = 118 B = 0 W = 63
		003 ⇔ 004	3200K R = 156 G = 141 B = 5 W = 89
		005 ⇔ 006	4200K R = 156 G = 141 B = 14 W = 255
		007 ⇔ 008	5600K R = 156 G = 207 B = 54 W = 255
		009 ⇔ 010	8000K R = 130 G = 255 B = 96 W = 255
		011	Blue R = 0 G = 0 B = 255 W = 0
		012 ⇔ 048	+ Green R = 0 G = 0–255 B = 255 W = 0
		049	Cyan R = 0 G = 255 B = 255 W = 0
		050 ⇔ 086	- Blue R = 0 G = 255 B = 255–0 W = 0
		087	Green R = 0 G = 255 B = 0 W = 0
		088 ⇔ 124	+ Red R = 0–255 G = 255 B = 0 W = 0
		125	Yellow R = 255 G = 255 B = 0 W = 0
		126 ⇔ 162	- Green R = 255 G = 255–0 B = 0 W = 0
		163	Red R = 255 G = 0 B = 0 W = 0
		164 ⇔ 200	+ Blue R = 255 G = 0 B = 0–255 W = 0
		201	Magenta R = 255 G = 0 B = 255 W = 0
		202 ⇔ 238	- Red R = 255–0 G = 0 B = 255 W = 0
		239	Blue R = 0 G = 0 B = 255 W = 0
		240 ⇔ 247	Color fade, fast to slow
248 ⇔ 255	Color snap, fast to slow		

Channel	Function	Value	Percent/Setting
10	Beam Color	000	No function
		001 ⇄ 002	2700K R = 156 G = 118 B = 0 W = 63
		003 ⇄ 004	3200K R = 156 G = 141 B = 5 W = 89
		005 ⇄ 006	4200K R = 156 G = 141 B = 14 W = 255
		007 ⇄ 008	5600K R = 156 G = 207 B = 54 W = 255
		009 ⇄ 010	8000K R = 130 G = 255 B = 96 W = 255
		011	Blue R = 0 G = 0 B = 255 W = 0
		012 ⇄ 048	+ Green R = 0 G = 0-255 B = 255 W = 0
		049	Cyan R = 0 G = 255 B = 255 W = 0
		050 ⇄ 086	- Blue R = 0 G = 255 B = 255-0 W = 0
		087	Green R = 0 G = 255 B = 0 W = 0
		088 ⇄ 124	+ Red R = 0-255 G = 255 B = 0 W = 0
		125	Yellow R = 255 G = 255 B = 0 W = 0
		126 ⇄ 162	- Green R = 255 G = 255-0 B = 0 W = 0
		163	Red R = 255 G = 0 B = 0 W = 0
		164 ⇄ 200	+ Blue R = 255 G = 0 B = 0-255 W = 0
		201	Magenta R = 255 G = 0 B = 255 W = 0
		202 ⇄ 238	- Red R = 255-0 G = 0 B = 255 W = 0
		239	Blue R = 0 G = 0 B = 255 W = 0
		240 ⇄ 247	Color fade, fast to slow
248 ⇄ 255	Color snap, fast to slow		
11	Gobo	000	No function
		001 ⇄ 255	Gobos (indexed)
12	LED Macro / Auto Program	000 ⇄ 015	No function
		016 ⇄ 135	LED macros
		136 ⇄ 255	Auto programs
13	LED Macro / Auto Program Speed	000 ⇄ 127	Auto speed, fast to slow clockwise
		128	Hold
		129 ⇄ 255	Auto speed, slow to fast counter-clockwise
14	LED Built-in Delay	000 ⇄ 255	Fast to slow
15	Background Color	000	No function
		001 ⇄ 002	2700K R = 156 G = 118 B = 0 W = 63
		003 ⇄ 004	3200K R = 156 G = 141 B = 5 W = 89
		005 ⇄ 006	4200K R = 156 G = 141 B = 14 W = 255
		007 ⇄ 008	5600K R = 156 G = 207 B = 54 W = 255
		009 ⇄ 010	8000K R = 130 G = 255 B = 96 W = 255
		011	Blue R = 0 G = 0 B = 255 W = 0
		012 ⇄ 048	+ Green R = 0 G = 0-255 B = 255 W = 0
		049	Cyan R = 0 G = 255 B = 255 W = 0
		050 ⇄ 086	- Blue R = 0 G = 255 B = 255-0 W = 0
		087	Green R = 0 G = 255 B = 0 W = 0
		088 ⇄ 124	+ Red R = 0-255 G = 255 B = 0 W = 0
		125	Yellow R = 255 G = 255 B = 0 W = 0
		126 ⇄ 162	- Green R = 255 G = 255-0 B = 0 W = 0
		163	Red R = 255 G = 0 B = 0 W = 0
		164 ⇄ 200	+ Blue R = 255 G = 0 B = 0-255 W = 0
		201	Magenta R = 255 G = 0 B = 255 W = 0
		202 ⇄ 238	- Red R = 255-0 G = 0 B = 255 W = 0
		239	Blue R = 0 G = 0 B = 255 W = 0
		240 ⇄ 247	Color fade, fast to slow
248 ⇄ 255	Color snap, fast to slow		
16	Background Dimmer	000 ⇄ 255	0-100%
17	Background Fine Dimmer	000 ⇄ 255	0-100%
18	Ring Dimmer	000 ⇄ 255	0-100%
19	Ring Fine Dimmer	000 ⇄ 255	0-100%

QUICK REFERENCE GUIDE



EN

Channel	Function	Value	Percent/Setting
20	Beam Dimmer	000 ⇔ 255	0–100%
21	Beam Fine Dimmer	000 ⇔ 255	0–100%
22	Ring Shutter	000 ⇔ 019	Off
		020 ⇔ 024	On
		025 ⇔ 069	Strobe, fast to slow
		070 ⇔ 089	Strobe 100–0%, fast to slow
		090 ⇔ 109	Strobe 0–100%, fast to slow
		110 ⇔ 129	Random strobe, fast to slow
		130 ⇔ 149	Random strobe 100–0%, fast to slow
		150 ⇔ 169	Random strobe 0–100%, fast to slow
		170 ⇔ 189	Pulse strobe, fast to slow
		190 ⇔ 209	Random pulse strobe, fast to slow
		210 ⇔ 229	Strobe 0–100–0%, fast to slow
		230 ⇔ 244	Random pulse strobe, fast to slow
245 ⇔ 255	On		
23	Beam Shutter	000 ⇔ 019	Off
		020 ⇔ 024	On
		025 ⇔ 069	Strobe, fast to slow
		070 ⇔ 089	Strobe 100–0%, fast to slow
		090 ⇔ 109	Strobe 0–100%, fast to slow
		110 ⇔ 129	Random strobe, fast to slow
		130 ⇔ 149	Random strobe 100–0%, fast to slow
		150 ⇔ 169	Random strobe 0–100%, fast to slow
		170 ⇔ 189	Pulse strobe, fast to slow
		190 ⇔ 209	Random pulse strobe, fast to slow
		210 ⇔ 229	Strobe 0–100–0%, fast to slow
		230 ⇔ 244	Random pulse strobe, fast to slow
245 ⇔ 255	On		
24	Zoom	000 ⇔ 255	Wide to narrow
25	Control	000 ⇔ 009	No function
		010 ⇔ 014	Blackout on Pan/Tilt
		015 ⇔ 019	Reserved for future use
		020 ⇔ 024	RGBW (additive) color-mixing mode
		025 ⇔ 029	CMY (subtractive) color-mixing mode
		030 ⇔ 049	Reserved for future use
		050 ⇔ 054	Pan reset
		055 ⇔ 059	Tilt reset
		060 ⇔ 064	Zoom reset
		065 ⇔ 069	Reserved for future use
		070 ⇔ 074	Reset all
		075 ⇔ 109	Reserved for future use
		110 ⇔ 114	Fast Pan/Tilt speed
		115 ⇔ 119	Slow Pan/tilt speed
		120 ⇔ 124	Slow fan mode
		125 ⇔ 129	Full fan mode
		130 ⇔ 134	Auto fan mode
		135 ⇔ 139	Fast dimmer mode
140 ⇔ 144	Slow dimmer mode		
145 ⇔ 255	Reserved for future use		
26	Ring Red	000 ⇔ 255	RGBW Mode: 0–100% / CMY Mode: 100–0%
27	Fine Ring Red	000 ⇔ 255	RGBW Mode: 0–100% / CMY Mode: 100–0%
28	Beam Red	000 ⇔ 255	RGBW Mode: 0–100% / CMY Mode: 100–0%
29	Fine Beam Red	000 ⇔ 255	RGBW Mode: 0–100% / CMY Mode: 100–0%
30	Ring Green	000 ⇔ 255	RGBW Mode: 0–100% / CMY Mode: 100–0%
31	Fine Ring Green	000 ⇔ 255	RGBW Mode: 0–100% / CMY Mode: 100–0%

Channel	Function	Value	Percent/Setting
32	Beam Green	000 ⇔ 255	RGBW Mode: 0–100% / CMY Mode: 100–0%
33	Fine Beam Green	000 ⇔ 255	RGBW Mode: 0–100% / CMY Mode: 100–0%
34	Ring Blue	000 ⇔ 255	RGBW Mode: 0–100% / CMY Mode: 100–0%
35	Fine Ring Blue	000 ⇔ 255	RGBW Mode: 0–100% / CMY Mode: 100–0%
36	Beam Blue	000 ⇔ 255	RGBW Mode: 0–100% / CMY Mode: 100–0%
37	Fine Beam Blue	000 ⇔ 255	RGBW Mode: 0–100% / CMY Mode: 100–0%
38	Ring White	000 ⇔ 255	RGBW Mode: 0–100% / CMY Mode: 100–0%
39	Fine Ring White	000 ⇔ 255	RGBW Mode: 0–100% / CMY Mode: 100–0%
40	Beam White	000 ⇔ 255	RGBW Mode: 0–100% / CMY Mode: 100–0%
41	Fine Beam White	000 ⇔ 255	RGBW Mode: 0–100% / CMY Mode: 100–0%

Dual Control: Standard Movement Mode (30Ch)

Channel	Function	Value	Percent/Setting
1	Pan	000 ⇔ 255	0–100%
2	Pan Fine	000 ⇔ 255	0–100%
3	Tilt	000 ⇔ 255	0–100%
4	Tilt Fine	000 ⇔ 255	0–100%
5	Continuous Pan	000	No function
		001 ⇔ 127	Continuous pan, fast to slow
		128	No function
		129 ⇔ 255	Reverse continuous pan, slow to fast
6	Continuous Tilt	000	No function
		001 ⇔ 127	Continuous tilt, fast to slow
		128	No function
		129 ⇔ 255	Reverse continuous tilt, slow to fast
7	Pan/Tilt Speed	000 ⇔ 255	Fast to slow
8	CTC	000	No function
		001 ⇔ 255	Color temperature, 2800–10000 K
9	Ring Color	000	No function
		001 ⇔ 002	2700K R = 156 G = 118 B = 0 W = 63
		003 ⇔ 004	3200K R = 156 G = 141 B = 5 W = 89
		005 ⇔ 006	4200K R = 156 G = 141 B = 14 W = 255
		007 ⇔ 008	5600K R = 156 G = 207 B = 54 W = 255
		009 ⇔ 010	8000K R = 130 G = 255 B = 96 W = 255
		011	Blue R = 0 G = 0 B = 255 W = 0
		012 ⇔ 048	+ Green R = 0 G = 0–255 B = 255 W = 0
		049	Cyan R = 0 G = 255 B = 255 W = 0
		050 ⇔ 086	- Blue R = 0 G = 255 B = 255–0 W = 0
		087	Green R = 0 G = 255 B = 0 W = 0
		088 ⇔ 124	+ Red R = 0–255 G = 255 B = 0 W = 0
		125	Yellow R = 255 G = 255 B = 0 W = 0
		126 ⇔ 162	- Green R = 255 G = 255–0 B = 0 W = 0
		163	Red R = 255 G = 0 B = 0 W = 0
		164 ⇔ 200	+ Blue R = 255 G = 0 B = 0–255 W = 0
		201	Magenta R = 255 G = 0 B = 255 W = 0
		202 ⇔ 238	- Red R = 255–0 G = 0 B = 255 W = 0
		239	Blue R = 0 G = 0 B = 255 W = 0
		240 ⇔ 247	Color fade, fast to slow
248 ⇔ 255	Color snap, fast to slow		

QUICK REFERENCE GUIDE



EN

Channel	Function	Value	Percent/Setting				
10	Beam Color	000	No function				
		001 ⇔ 002	2700K	R = 156	G = 118	B = 0	W = 63
		003 ⇔ 004	3200K	R = 156	G = 141	B = 5	W = 89
		005 ⇔ 006	4200K	R = 156	G = 141	B = 14	W = 255
		007 ⇔ 008	5600K	R = 156	G = 207	B = 54	W = 255
		009 ⇔ 010	8000K	R = 130	G = 255	B = 96	W = 255
		011	Blue	R = 0	G = 0	B = 255	W = 0
		012 ⇔ 048	+ Green	R = 0	G = 0–255	B = 255	W = 0
		049	Cyan	R = 0	G = 255	B = 255	W = 0
		050 ⇔ 086	- Blue	R = 0	G = 255	B = 255–0	W = 0
		087	Green	R = 0	G = 255	B = 0	W = 0
		088 ⇔ 124	+ Red	R = 0–255	G = 255	B = 0	W = 0
		125	Yellow	R = 255	G = 255	B = 0	W = 0
		126 ⇔ 162	- Green	R = 255	G = 255–0	B = 0	W = 0
		163	Red	R = 255	G = 0	B = 0	W = 0
		164 ⇔ 200	+ Blue	R = 255	G = 0	B = 0–255	W = 0
		201	Magenta	R = 255	G = 0	B = 255	W = 0
		202 ⇔ 238	- Red	R = 255–0	G = 0	B = 255	W = 0
		239	Blue	R = 0	G = 0	B = 255	W = 0
		240 ⇔ 247	Color fade, fast to slow				
248 ⇔ 255	Color snap, fast to slow						
11	Gobo	000	No function				
		001 ⇔ 255	Gobos (indexed)				
12	LED Macro / Auto Program	000 ⇔ 015	No function				
		016 ⇔ 135	LED macros				
		136 ⇔ 255	Auto programs				
13	LED Macro / Auto Program Speed	000 ⇔ 127	Auto speed, fast to slow clockwise				
		128	Hold				
		129 ⇔ 255	Auto speed, slow to fast counterclockwise				
14	LED Built-in Delay	000 ⇔ 255	Fast to slow				
15	Background Color	000	No function				
		001 ⇔ 002	2700K	R = 156	G = 118	B = 0	W = 63
		003 ⇔ 004	3200K	R = 156	G = 141	B = 5	W = 89
		005 ⇔ 006	4200K	R = 156	G = 141	B = 14	W = 255
		007 ⇔ 008	5600K	R = 156	G = 207	B = 54	W = 255
		009 ⇔ 010	8000K	R = 130	G = 255	B = 96	W = 255
		011	Blue	R = 0	G = 0	B = 255	W = 0
		012 ⇔ 048	+ Green	R = 0	G = 0–255	B = 255	W = 0
		049	Cyan	R = 0	G = 255	B = 255	W = 0
		050 ⇔ 086	- Blue	R = 0	G = 255	B = 255–0	W = 0
		087	Green	R = 0	G = 255	B = 0	W = 0
		088 ⇔ 124	+ Red	R = 0–255	G = 255	B = 0	W = 0
		125	Yellow	R = 255	G = 255	B = 0	W = 0
		126 ⇔ 162	- Green	R = 255	G = 255–0	B = 0	W = 0
		163	Red	R = 255	G = 0	B = 0	W = 0
		164 ⇔ 200	+ Blue	R = 255	G = 0	B = 0–255	W = 0
		201	Magenta	R = 255	G = 0	B = 255	W = 0
		202 ⇔ 238	- Red	R = 255–0	G = 0	B = 255	W = 0
		239	Blue	R = 0	G = 0	B = 255	W = 0
		240 ⇔ 247	Color fade, fast to slow				
248 ⇔ 255	Color snap, fast to slow						
16	Background Dimmer	000 ⇔ 255	0–100%				
17	Ring Dimmer	000 ⇔ 255	0–100%				
18	Beam Dimmer	000 ⇔ 255	0–100%				

Channel	Function	Value	Percent/Setting
19	Ring Shutter	000 ⇔ 019	Off
		020 ⇔ 024	On
		025 ⇔ 069	Strobe, fast to slow
		070 ⇔ 089	Strobe 100–0%, fast to slow
		090 ⇔ 109	Strobe 0–100%, fast to slow
		110 ⇔ 129	Random strobe, fast to slow
		130 ⇔ 149	Random strobe 100–0%, fast to slow
		150 ⇔ 169	Random strobe 0–100%, fast to slow
		170 ⇔ 189	Pulse strobe, fast to slow
		190 ⇔ 209	Random pulse strobe, fast to slow
		210 ⇔ 229	Strobe 0–100–0%, fast to slow
		230 ⇔ 244	Random pulse strobe, fast to slow
245 ⇔ 255	On		
20	Beam Shutter	000 ⇔ 019	Off
		020 ⇔ 024	On
		025 ⇔ 069	Strobe, fast to slow
		070 ⇔ 089	Strobe 100–0%, fast to slow
		090 ⇔ 109	Strobe 0–100%, fast to slow
		110 ⇔ 129	Random strobe, fast to slow
		130 ⇔ 149	Random strobe 100–0%, fast to slow
		150 ⇔ 169	Random strobe 0–100%, fast to slow
		170 ⇔ 189	Pulse strobe, fast to slow
		190 ⇔ 209	Random pulse strobe, fast to slow
		210 ⇔ 229	Strobe 0–100–0%, fast to slow
		230 ⇔ 244	Random pulse strobe, fast to slow
245 ⇔ 255	On		
21	Zoom	000 ⇔ 255	Wide to narrow
22	Control	000 ⇔ 009	No function
		010 ⇔ 014	Blackout on Pan/Tilt
		015 ⇔ 019	Reserved for future use
		020 ⇔ 024	RGBW (additive) color-mixing mode
		025 ⇔ 029	CMY (subtractive) color-mixing mode
		030 ⇔ 049	Reserved for future use
		050 ⇔ 054	Pan reset
		055 ⇔ 059	Tilt reset
		060 ⇔ 064	Zoom reset
		065 ⇔ 069	Reserved for future use
		070 ⇔ 074	Reset all
		075 ⇔ 109	Reserved for future use
		110 ⇔ 114	Fast Pan/Tilt speed
		115 ⇔ 119	Slow Pan/tilt speed
		120 ⇔ 124	Slow fan mode
		125 ⇔ 129	Full fan mode
		130 ⇔ 134	Auto fan mode
135 ⇔ 139	Fast dimmer mode		
140 ⇔ 144	Slow dimmer mode		
145 ⇔ 255	Reserved for future use		
23	Ring Red	000 ⇔ 255	0–100%
24	Beam Red	000 ⇔ 255	0–100%
25	Ring Green	000 ⇔ 255	0–100%
26	Beam Green	000 ⇔ 255	0–100%
27	Ring Blue	000 ⇔ 255	0–100%
28	Beam Blue	000 ⇔ 255	0–100%
29	Ring White	000 ⇔ 255	0–100%
30	Beam White	000 ⇔ 255	0–100%

QUICK REFERENCE GUIDE



EN

Dual Control: Basic Movement Mode (13Ch)

Channel	Function	Value	Percent/Setting
1	Pan	000 ⇔ 255	0–100%
2	Pan Fine	000 ⇔ 255	0–100%
3	Tilt	000 ⇔ 255	0–100%
4	Tilt Fine	000 ⇔ 255	0–100%
5	Continuous Pan	000	No function
		001 ⇔ 127	Continuous pan, fast to slow
		128	No function
		129 ⇔ 255	Reverse continuous pan, slow to fast
6	Continuous Tilt	000	No function
		001 ⇔ 127	Continuous tilt, fast to slow
		128	No function
		129 ⇔ 255	Reverse continuous tilt, slow to fast
7	Pan/Tilt Speed	000 ⇔ 255	Fast to slow
8	Ring Dimmer	000 ⇔ 255	0–100%
9	Beam Dimmer	000 ⇔ 255	0–100%
10	Ring Shutter	000 ⇔ 019	Off
		020 ⇔ 024	On
		025 ⇔ 069	Strobe, fast to slow
		070 ⇔ 089	Strobe 100–0%, fast to slow
		090 ⇔ 109	Strobe 0–100%, fast to slow
		110 ⇔ 129	Random strobe, fast to slow
		130 ⇔ 149	Random strobe 100–0%, fast to slow
		150 ⇔ 169	Random strobe 0–100%, fast to slow
		170 ⇔ 189	Pulse strobe, fast to slow
		190 ⇔ 209	Random pulse strobe, fast to slow
		210 ⇔ 229	Strobe 0–100–0%, fast to slow
		230 ⇔ 244	Random pulse strobe, fast to slow
245 ⇔ 255	On		
11	Beam Shutter	000 ⇔ 019	Off
		020 ⇔ 024	On
		025 ⇔ 069	Strobe, fast to slow
		070 ⇔ 089	Strobe 100–0%, fast to slow
		090 ⇔ 109	Strobe 0–100%, fast to slow
		110 ⇔ 129	Random strobe, fast to slow
		130 ⇔ 149	Random strobe 100–0%, fast to slow
		150 ⇔ 169	Random strobe 0–100%, fast to slow
		170 ⇔ 189	Pulse strobe, fast to slow
		190 ⇔ 209	Random pulse strobe, fast to slow
		210 ⇔ 229	Strobe 0–100–0%, fast to slow
		230 ⇔ 244	Random pulse strobe, fast to slow
245 ⇔ 255	On		
12	Zoom	000 ⇔ 255	Wide to narrow

Channel	Function	Value	Percent/Setting
13	Control	000 ⇔ 009	No function
		010 ⇔ 014	Blackout on Pan/Tilt
		015 ⇔ 019	Reserved for future use
		020 ⇔ 024	RGBW (additive) color-mixing mode
		025 ⇔ 029	CMY (subtractive) color-mixing mode
		030 ⇔ 049	Reserved for future use
		050 ⇔ 054	Pan reset
		055 ⇔ 059	Tilt reset
		060 ⇔ 064	Zoom reset
		065 ⇔ 069	Reserved for future use
		070 ⇔ 074	Reset all
		075 ⇔ 109	Reserved for future use
		110 ⇔ 114	Fast Pan/Tilt speed
		115 ⇔ 119	Slow Pan/tilt speed
		120 ⇔ 124	Slow fan mode
		125 ⇔ 129	Full fan mode
		130 ⇔ 134	Auto fan mode
		135 ⇔ 139	Fast dimmer mode
		140 ⇔ 144	Slow dimmer mode
		145 ⇔ 255	Reserved for future use

Dual Control Values (Pixels)

Dual Control: Advanced Pixels Mode (80Ch)

Channel	Function	Value	Percent/Setting
1	Red 1	000 ⇔ 255	RGBW Mode: 0–100% / CMY Mode: 100–0%
2	Fine Red 1	000 ⇔ 255	RGBW Mode: 0–100% / CMY Mode: 100–0%
3	Green 1	000 ⇔ 255	RGBW Mode: 0–100% / CMY Mode: 100–0%
4	Fine Green 1	000 ⇔ 255	RGBW Mode: 0–100% / CMY Mode: 100–0%
5	Blue 1	000 ⇔ 255	RGBW Mode: 0–100% / CMY Mode: 100–0%
6	Fine Blue 1	000 ⇔ 255	RGBW Mode: 0–100% / CMY Mode: 100–0%
7	White 1	000 ⇔ 255	RGBW Mode: 0–100% / CMY Mode: 100–0%
8	Fine White 1	000 ⇔ 255	RGBW Mode: 0–100% / CMY Mode: 100–0%
9	Red 2	000 ⇔ 255	RGBW Mode: 0–100% / CMY Mode: 100–0%
10	Fine Red 2	000 ⇔ 255	RGBW Mode: 0–100% / CMY Mode: 100–0%
11	Green 2	000 ⇔ 255	RGBW Mode: 0–100% / CMY Mode: 100–0%
12	Fine Green 2	000 ⇔ 255	RGBW Mode: 0–100% / CMY Mode: 100–0%
13	Blue 2	000 ⇔ 255	RGBW Mode: 0–100% / CMY Mode: 100–0%
14	Fine Blue 2	000 ⇔ 255	RGBW Mode: 0–100% / CMY Mode: 100–0%
15	White 2	000 ⇔ 255	RGBW Mode: 0–100% / CMY Mode: 100–0%
16	Fine White 2	000 ⇔ 255	RGBW Mode: 0–100% / CMY Mode: 100–0%
17	Red 3	000 ⇔ 255	RGBW Mode: 0–100% / CMY Mode: 100–0%
18	Fine Red 3	000 ⇔ 255	RGBW Mode: 0–100% / CMY Mode: 100–0%
19	Green 3	000 ⇔ 255	RGBW Mode: 0–100% / CMY Mode: 100–0%
20	Fine Green 3	000 ⇔ 255	RGBW Mode: 0–100% / CMY Mode: 100–0%
21	Blue 3	000 ⇔ 255	RGBW Mode: 0–100% / CMY Mode: 100–0%
22	Fine Blue 3	000 ⇔ 255	RGBW Mode: 0–100% / CMY Mode: 100–0%
23	White 3	000 ⇔ 255	RGBW Mode: 0–100% / CMY Mode: 100–0%
24	Fine White 3	000 ⇔ 255	RGBW Mode: 0–100% / CMY Mode: 100–0%
25	Red 4	000 ⇔ 255	RGBW Mode: 0–100% / CMY Mode: 100–0%
26	Fine Red 4	000 ⇔ 255	RGBW Mode: 0–100% / CMY Mode: 100–0%
27	Green 4	000 ⇔ 255	RGBW Mode: 0–100% / CMY Mode: 100–0%
28	Fine Green 4	000 ⇔ 255	RGBW Mode: 0–100% / CMY Mode: 100–0%
29	Blue 4	000 ⇔ 255	RGBW Mode: 0–100% / CMY Mode: 100–0%
30	Fine Blue 4	000 ⇔ 255	RGBW Mode: 0–100% / CMY Mode: 100–0%
31	White 4	000 ⇔ 255	RGBW Mode: 0–100% / CMY Mode: 100–0%
32	Fine White 4	000 ⇔ 255	RGBW Mode: 0–100% / CMY Mode: 100–0%
33	Red 5	000 ⇔ 255	RGBW Mode: 0–100% / CMY Mode: 100–0%
34	Fine Red 5	000 ⇔ 255	RGBW Mode: 0–100% / CMY Mode: 100–0%
35	Green 5	000 ⇔ 255	RGBW Mode: 0–100% / CMY Mode: 100–0%
36	Fine Green 5	000 ⇔ 255	RGBW Mode: 0–100% / CMY Mode: 100–0%
37	Blue 5	000 ⇔ 255	RGBW Mode: 0–100% / CMY Mode: 100–0%
38	Fine Blue 5	000 ⇔ 255	RGBW Mode: 0–100% / CMY Mode: 100–0%
39	White 5	000 ⇔ 255	RGBW Mode: 0–100% / CMY Mode: 100–0%
40	Fine White 5	000 ⇔ 255	RGBW Mode: 0–100% / CMY Mode: 100–0%
41	Red 6	000 ⇔ 255	RGBW Mode: 0–100% / CMY Mode: 100–0%
42	Fine Red 6	000 ⇔ 255	RGBW Mode: 0–100% / CMY Mode: 100–0%
43	Green 6	000 ⇔ 255	RGBW Mode: 0–100% / CMY Mode: 100–0%
44	Fine Green 6	000 ⇔ 255	RGBW Mode: 0–100% / CMY Mode: 100–0%
45	Blue 6	000 ⇔ 255	RGBW Mode: 0–100% / CMY Mode: 100–0%
46	Fine Blue 6	000 ⇔ 255	RGBW Mode: 0–100% / CMY Mode: 100–0%
47	White 6	000 ⇔ 255	RGBW Mode: 0–100% / CMY Mode: 100–0%
48	Fine White 6	000 ⇔ 255	RGBW Mode: 0–100% / CMY Mode: 100–0%
49	Red 7	000 ⇔ 255	RGBW Mode: 0–100% / CMY Mode: 100–0%
50	Fine Red 7	000 ⇔ 255	RGBW Mode: 0–100% / CMY Mode: 100–0%
51	Green 7	000 ⇔ 255	RGBW Mode: 0–100% / CMY Mode: 100–0%
52	Fine Green 7	000 ⇔ 255	RGBW Mode: 0–100% / CMY Mode: 100–0%
53	Blue 7	000 ⇔ 255	RGBW Mode: 0–100% / CMY Mode: 100–0%

Channel	Function	Value	Percent/Setting
54	Fine Blue 7	000 ⇄ 255	RGBW Mode: 0–100% / CMY Mode: 100–0%
55	White 7	000 ⇄ 255	RGBW Mode: 0–100% / CMY Mode: 100–0%
56	Fine White 7	000 ⇄ 255	RGBW Mode: 0–100% / CMY Mode: 100–0%
57	Red 8	000 ⇄ 255	RGBW Mode: 0–100% / CMY Mode: 100–0%
58	Fine Red 8	000 ⇄ 255	RGBW Mode: 0–100% / CMY Mode: 100–0%
59	Green 8	000 ⇄ 255	RGBW Mode: 0–100% / CMY Mode: 100–0%
60	Fine Green 8	000 ⇄ 255	RGBW Mode: 0–100% / CMY Mode: 100–0%
61	Blue 8	000 ⇄ 255	RGBW Mode: 0–100% / CMY Mode: 100–0%
62	Fine Blue 8	000 ⇄ 255	RGBW Mode: 0–100% / CMY Mode: 100–0%
63	White 8	000 ⇄ 255	RGBW Mode: 0–100% / CMY Mode: 100–0%
64	Fine White 8	000 ⇄ 255	RGBW Mode: 0–100% / CMY Mode: 100–0%
65	Red 9	000 ⇄ 255	RGBW Mode: 0–100% / CMY Mode: 100–0%
66	Fine Red 9	000 ⇄ 255	RGBW Mode: 0–100% / CMY Mode: 100–0%
67	Green 9	000 ⇄ 255	RGBW Mode: 0–100% / CMY Mode: 100–0%
68	Fine Green 9	000 ⇄ 255	RGBW Mode: 0–100% / CMY Mode: 100–0%
69	Blue 9	000 ⇄ 255	RGBW Mode: 0–100% / CMY Mode: 100–0%
70	Fine Blue 9	000 ⇄ 255	RGBW Mode: 0–100% / CMY Mode: 100–0%
71	White 9	000 ⇄ 255	RGBW Mode: 0–100% / CMY Mode: 100–0%
72	Fine White 9	000 ⇄ 255	RGBW Mode: 0–100% / CMY Mode: 100–0%
73	Red 10	000 ⇄ 255	RGBW Mode: 0–100% / CMY Mode: 100–0%
74	Fine Red 10	000 ⇄ 255	RGBW Mode: 0–100% / CMY Mode: 100–0%
75	Green 10	000 ⇄ 255	RGBW Mode: 0–100% / CMY Mode: 100–0%
76	Fine Green 10	000 ⇄ 255	RGBW Mode: 0–100% / CMY Mode: 100–0%
77	Blue 10	000 ⇄ 255	RGBW Mode: 0–100% / CMY Mode: 100–0%
78	Fine Blue 10	000 ⇄ 255	RGBW Mode: 0–100% / CMY Mode: 100–0%
79	White 10	000 ⇄ 255	RGBW Mode: 0–100% / CMY Mode: 100–0%
80	Fine White 10	000 ⇄ 255	RGBW Mode: 0–100% / CMY Mode: 100–0%

QUICK REFERENCE GUIDE



EN

Dual Control: Standard Pixels Mode (40Ch)

Channel	Function	Value	Percent/Setting
1	Red 1	000 ⇔ 255	RGBW Mode: 0–100% / CMY Mode: 100–0%
2	Green 1	000 ⇔ 255	RGBW Mode: 0–100% / CMY Mode: 100–0%
3	Blue 1	000 ⇔ 255	RGBW Mode: 0–100% / CMY Mode: 100–0%
4	White 1	000 ⇔ 255	RGBW Mode: 0–100% / CMY Mode: 100–0%
5	Red 2	000 ⇔ 255	RGBW Mode: 0–100% / CMY Mode: 100–0%
6	Green 2	000 ⇔ 255	RGBW Mode: 0–100% / CMY Mode: 100–0%
7	Blue 2	000 ⇔ 255	RGBW Mode: 0–100% / CMY Mode: 100–0%
8	White 2	000 ⇔ 255	RGBW Mode: 0–100% / CMY Mode: 100–0%
9	Red 3	000 ⇔ 255	RGBW Mode: 0–100% / CMY Mode: 100–0%
10	Green 3	000 ⇔ 255	RGBW Mode: 0–100% / CMY Mode: 100–0%
11	Blue 3	000 ⇔ 255	RGBW Mode: 0–100% / CMY Mode: 100–0%
12	White 3	000 ⇔ 255	RGBW Mode: 0–100% / CMY Mode: 100–0%
13	Red 4	000 ⇔ 255	RGBW Mode: 0–100% / CMY Mode: 100–0%
14	Green 4	000 ⇔ 255	RGBW Mode: 0–100% / CMY Mode: 100–0%
15	Blue 4	000 ⇔ 255	RGBW Mode: 0–100% / CMY Mode: 100–0%
16	White 4	000 ⇔ 255	RGBW Mode: 0–100% / CMY Mode: 100–0%
17	Red 5	000 ⇔ 255	RGBW Mode: 0–100% / CMY Mode: 100–0%
18	Green 5	000 ⇔ 255	RGBW Mode: 0–100% / CMY Mode: 100–0%
19	Blue 5	000 ⇔ 255	RGBW Mode: 0–100% / CMY Mode: 100–0%
20	White 5	000 ⇔ 255	RGBW Mode: 0–100% / CMY Mode: 100–0%
21	Red 6	000 ⇔ 255	RGBW Mode: 0–100% / CMY Mode: 100–0%
22	Green 6	000 ⇔ 255	RGBW Mode: 0–100% / CMY Mode: 100–0%
23	Blue 6	000 ⇔ 255	RGBW Mode: 0–100% / CMY Mode: 100–0%
24	White 6	000 ⇔ 255	RGBW Mode: 0–100% / CMY Mode: 100–0%
25	Red 7	000 ⇔ 255	RGBW Mode: 0–100% / CMY Mode: 100–0%
26	Green 7	000 ⇔ 255	RGBW Mode: 0–100% / CMY Mode: 100–0%
27	Blue 7	000 ⇔ 255	RGBW Mode: 0–100% / CMY Mode: 100–0%
28	White 7	000 ⇔ 255	RGBW Mode: 0–100% / CMY Mode: 100–0%
29	Red 8	000 ⇔ 255	RGBW Mode: 0–100% / CMY Mode: 100–0%
30	Green 8	000 ⇔ 255	RGBW Mode: 0–100% / CMY Mode: 100–0%
31	Blue 8	000 ⇔ 255	RGBW Mode: 0–100% / CMY Mode: 100–0%
32	White 8	000 ⇔ 255	RGBW Mode: 0–100% / CMY Mode: 100–0%
33	Red 9	000 ⇔ 255	RGBW Mode: 0–100% / CMY Mode: 100–0%
34	Green 9	000 ⇔ 255	RGBW Mode: 0–100% / CMY Mode: 100–0%
35	Blue 9	000 ⇔ 255	RGBW Mode: 0–100% / CMY Mode: 100–0%
36	White 9	000 ⇔ 255	RGBW Mode: 0–100% / CMY Mode: 100–0%
37	Red 10	000 ⇔ 255	RGBW Mode: 0–100% / CMY Mode: 100–0%
38	Green 10	000 ⇔ 255	RGBW Mode: 0–100% / CMY Mode: 100–0%
39	Blue 10	000 ⇔ 255	RGBW Mode: 0–100% / CMY Mode: 100–0%
40	White 10	000 ⇔ 255	RGBW Mode: 0–100% / CMY Mode: 100–0%

Dual Control: Basic Pixels Mode (30Ch)

Channel	Function	Value	Percent/Setting
1	Red 1	000 ⇄ 255	RGBW Mode: 0–100% / CMY Mode: 100–0%
2	Green 1	000 ⇄ 255	RGBW Mode: 0–100% / CMY Mode: 100–0%
3	Blue 1	000 ⇄ 255	RGBW Mode: 0–100% / CMY Mode: 100–0%
4	Red 2	000 ⇄ 255	RGBW Mode: 0–100% / CMY Mode: 100–0%
5	Green 2	000 ⇄ 255	RGBW Mode: 0–100% / CMY Mode: 100–0%
6	Blue 2	000 ⇄ 255	RGBW Mode: 0–100% / CMY Mode: 100–0%
7	Red 3	000 ⇄ 255	RGBW Mode: 0–100% / CMY Mode: 100–0%
8	Green 3	000 ⇄ 255	RGBW Mode: 0–100% / CMY Mode: 100–0%
9	Blue 3	000 ⇄ 255	RGBW Mode: 0–100% / CMY Mode: 100–0%
10	Red 4	000 ⇄ 255	RGBW Mode: 0–100% / CMY Mode: 100–0%
11	Green 4	000 ⇄ 255	RGBW Mode: 0–100% / CMY Mode: 100–0%
12	Blue 4	000 ⇄ 255	RGBW Mode: 0–100% / CMY Mode: 100–0%
13	Red 5	000 ⇄ 255	RGBW Mode: 0–100% / CMY Mode: 100–0%
14	Green 5	000 ⇄ 255	RGBW Mode: 0–100% / CMY Mode: 100–0%
15	Blue 5	000 ⇄ 255	RGBW Mode: 0–100% / CMY Mode: 100–0%
16	Red 6	000 ⇄ 255	RGBW Mode: 0–100% / CMY Mode: 100–0%
17	Green 6	000 ⇄ 255	RGBW Mode: 0–100% / CMY Mode: 100–0%
18	Blue 6	000 ⇄ 255	RGBW Mode: 0–100% / CMY Mode: 100–0%
19	Red 7	000 ⇄ 255	RGBW Mode: 0–100% / CMY Mode: 100–0%
20	Green 7	000 ⇄ 255	RGBW Mode: 0–100% / CMY Mode: 100–0%
21	Blue 7	000 ⇄ 255	RGBW Mode: 0–100% / CMY Mode: 100–0%
22	Red 8	000 ⇄ 255	RGBW Mode: 0–100% / CMY Mode: 100–0%
23	Green 8	000 ⇄ 255	RGBW Mode: 0–100% / CMY Mode: 100–0%
24	Blue 8	000 ⇄ 255	RGBW Mode: 0–100% / CMY Mode: 100–0%
25	Red 9	000 ⇄ 255	RGBW Mode: 0–100% / CMY Mode: 100–0%
26	Green 9	000 ⇄ 255	RGBW Mode: 0–100% / CMY Mode: 100–0%
27	Blue 9	000 ⇄ 255	RGBW Mode: 0–100% / CMY Mode: 100–0%
28	Red 10	000 ⇄ 255	RGBW Mode: 0–100% / CMY Mode: 100–0%
29	Green 10	000 ⇄ 255	RGBW Mode: 0–100% / CMY Mode: 100–0%
30	Blue 10	000 ⇄ 255	RGBW Mode: 0–100% / CMY Mode: 100–0%

Acerca de esta Guía

La Guía de Referencia Rápida (GRR) del Maverick MK Pyxis contiene información básica sobre el producto, como conexión, montaje, opciones de menú y valores DMX. Descargue el Manual de Usuario de www.chauvetprofessional.com para información más detallada.

Exención de Responsabilidad

La información y especificaciones contenidas en esta GRR están sujetas a cambio sin previo aviso.

GARANTÍA LIMITADA

PARA VER EL REGISTRO DE GARANTÍA Y LOS TÉRMINOS Y CONDICIONES COMPLETOS, VISITE NUESTRO SITIO WEB.

Para clientes en los Estados Unidos y México: www.chauvetlighting.com/warranty-registration.

Para clientes en Reino Unido, República de Irlanda, Bélgica, Países Bajos, Luxemburgo, Francia y Alemania: www.chauvetlighting.eu/warranty-registration.

Chauvet garantiza que este producto estará libre de defectos de material y mano de obra en condiciones de uso normales, durante el periodo especificado, sujeto siempre a las exclusiones y limitaciones establecidas en la garantía limitada completa de nuestro sitio web. Esta garantía se concede únicamente al comprador original del producto y no es transferible. Para ejercer los derechos que otorga esta garantía, usted debe proporcionar una prueba de compra en forma de un recibo de compra original, expedido por un distribuidor autorizado, donde figure el nombre del producto y la fecha de compra. **NO EXISTEN OTRAS GARANTÍAS EXPRESAS NI IMPLÍCITAS.** Esta garantía le otorga derechos legales específicos. Es posible que a usted le asistan otros derechos, que variarán dependiendo del estado o del país. Esta garantía solamente es válida en los Estados Unidos, Reino Unido, República de Irlanda, Bélgica, Países Bajos, Luxemburgo, Francia, Alemania y México. Para conocer los términos de garantía en otros países, consulte a su distribuidor local.

Notas de Seguridad

Estas notas de seguridad incluyen información importante sobre el montaje, uso y mantenimiento.

- La luminaria está destinada exclusivamente a un uso profesional.
- **NO abra este producto.** No contiene piezas reparables por el usuario.
- **NO mire a la fuente de luz cuando el producto esté encendido.**
- Para evitar un desgaste innecesario y alargar su vida útil, desconecte complemente el producto de la alimentación, mediante el interruptor o desenchufándolo, durante los periodos en los que no se use.
- **CUIDADO:** cuando transfiera el producto desde ambientes con temperatura extrema (p. ej., del remolque frío de un camión a una sala de baile con calor y humedad), puede formarse condensación en la electrónica interna del producto. Para evitar que se produzca una avería, deje que el producto se aclimate completamente al ambiente antes de conectar la alimentación.
- **CUIDADO:** La carcasa de este producto puede estar caliente cuando las luces están en funcionamiento.
- Monte este producto en una ubicación con ventilación adecuada, al menos a 20" (50 cm) de superficies adyacentes.
- La luminaria debe colocarse de forma que no sea previsible que se mire fijamente hacia ella a una distancia menor de 3,9 m.
- **NO deje ningún material inflamable a menos de 50 cm de este producto mientras esté funcionando o conectado a la alimentación.**
- **USE un cable de seguridad cuando monte este producto en lo alto.**
- **NO ponga en funcionamiento este producto en el exterior o en cualquier ubicación en la que el polvo, calor excesivo, agua o humedad puedan afectarlo.** (IP20)
- **NO ponga en funcionamiento este producto si sospecha que la carcasa, lentes o cables están dañados.**
- **NO conecte este producto a un atenuador o reostato.**
- **Conecte este producto SOLO a un circuito con toma de tierra y protegido.**
- **Use SOLAMENTE los soportes de montaje o las asas para mover este producto.** **NO lo transporte agarrando por la cabeza móvil.**
- **En caso de un problema grave de funcionamiento, deje de usarlo inmediatamente.**
- **La temperatura ambiente máxima es de 113 °F (45 °C).** No haga funcionar este producto a temperaturas más altas.
- **Si se daña el cable externo flexible de esta luminaria, se sustituirá con un cable especial o con un cable disponible exclusivamente a través del fabricante o de su agente de servicio técnico.**
- **Solo el fabricante, su agente de servicio o un técnico de similar cualificación podrán reemplazar la fuente de luz contenida en esta luminaria.**

Contacto

Fuera de EE.UU, Reino Unido, Irlanda, México o Benelux, póngase en contacto con su distribuidor para solicitar asistencia o devolver el producto. Visite www.chauvetprofessional.com para información de contacto.

Qué va Incluido

- Maverick MK Pyxis
- Cable de alimentación IP65 Seetronic Powerkon
- 2 soportes Omega con material de montaje
- Guía de Referencia Rápida

Corriente Alterna

Este producto tiene una fuente de alimentación con detección automática que puede funcionar con un rango de tensión de entrada de 100–240 VCA, 50/60 Hz.

Enchufe CA

Conexión	Cable (EE.UU)	Cable (Europa)	Color del Tornillo
CA Cargado	Negro	Marrón	Amarillo/Bronce
CA Neutro	Blanco	Azul	Plata
CA Tierra	Verde/Amarillo	Verde/Amarillo	Verde



Para evitar un desgaste innecesario y alargar su vida útil, desconecte complemente el producto de la alimentación, mediante el interruptor o desenchufándolo, durante los periodos en los que no se use.

Alimentación en Cadena

Es posible enlazar hasta 3 productos Maverick MK Pyxis a 100 V, 4 productos a 120 V, 7 productos a 208 V, o hasta 8 productos a 230 V o 240 V. Nunca exceda este número. Los cables de alimentación en cadena se pueden adquirir por separado.

Sustitución del Fusible

1. Desconecte este producto de la alimentación.
2. Utilizando un destornillador plano, desatornille la tapa del portafusibles de la carcasa.
3. Quite el fusible fundido del portafusibles y sustitúyalo con uno nuevo del mismo tipo y categoría.
4. Vuelva a atornillar la tapa del portafusibles en su sitio y conecte de nuevo la alimentación.

Conexiones de señal

Puede enlazar el Maverick MK Pyxis a un controlador o software controlador usando una conexión DMX, una conexión Ethernet o ambas. Si está usando otros productos compatibles con Art-Net™, sACN o Kling-Netcon, el Maverick MK Pyxis puede controlar cada uno individualmente en una sola red. Consulte el Manual de usuario para obtener información sobre cómo conectar y configurar el producto para estas señales.

Personalidades de control

El Maverick MK Pyxis utiliza DMX, Art-Net™, sACN, WDMX y Kling-Net para sus personalidades de control:

Single Control	Dual Control Movement	Dual Control Pixels
Basic (26 canales)	Basic (13 canales)	Basic (30 canales)
Standard (66 canales)	Standard (30 canales)	Standard (40 canales)
Advanced (113 canales)	Advanced (41 canales)	Advanced (80 canales)
Tour (131 canales)		
Utiliza DMX, Art-Net™, sACN o WDMX	Utiliza DMX, Art-Net™ o sACN	Utiliza DMX, Art-Net™, sACN o Kling-Net



En el modo “Dual Control”, el protocolo de “Movement” y el protocolo de “Píxels” no pueden ser el mismo.

Conexión DMX

El Maverick MK Pyxis funcionará con un controlador DMX usando una conexión de datos DMX de 3 o 5 pines. Hay un Manual DMX disponible en www.chauvetprofessional.com.

Conexión Art-Net™

Art-Net™ es un protocolo Ethernet que utiliza TCP/IP para transferir gran cantidad de datos DMX512 usando una conexión etherCON RJ45 sobre una red de gran tamaño. Hay disponible un documento sobre el protocolo Art-Net™ desde www.chauvetprofessional.com. Chauvet Professional recomienda la utilización de modo Unicast para mejores resultados. Art-Net™ diseñado y copyright por Artistic Licence Holdings Ltd.

Conexión sACN

También conocido como ANSI E1.31, el streaming ACN es un protocolo Ethernet que usa las capas y formato de Architecture for Control Networks (arquitectura para redes de control) para transportar datos DMX512 sobre IP o cualquier otra red compatible con ACN. El mantenimiento de ACN corre a cargo de la Professional Lighting and Sound Association (Asociación de Sonido e Iluminación Profesional, PLASA).

Conexión Kling-Net

Kling-Net es un protocolo de red que permite la autoconfiguración de los dispositivos de imagen usando una conexión Ethernet etherCON RJ45. Consulte el manual del software ArKaos para instrucciones detalladas sobre la programación de este producto.



Para un funcionamiento fluido, ArKaos Kling-Net precisa una tarjeta Ethernet a gigabit (1000 Mbps) y un router de red.



ArKaos Kling-Net solo ejecutará los modos Standard Pixels o Basic Pixels.

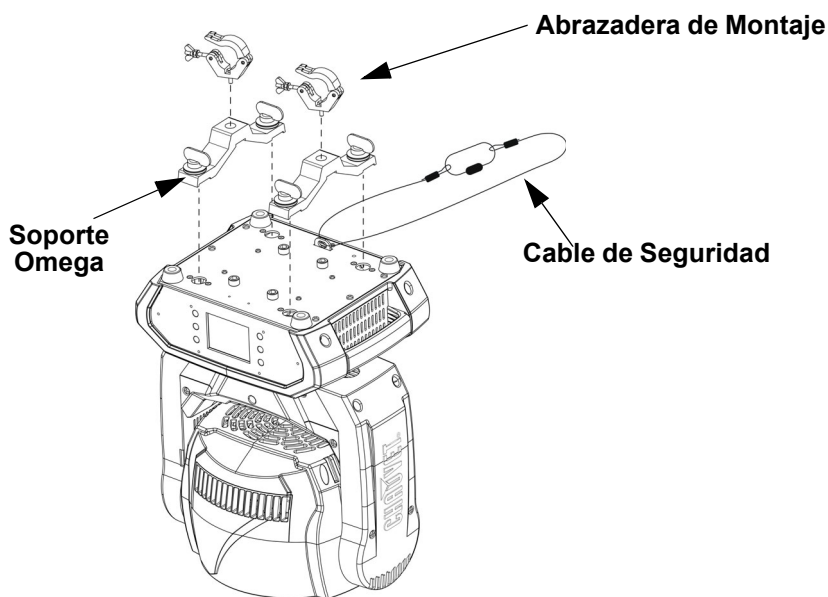
RDM (gestión remota del dispositivo)

Remote Device Management (gestión remota del dispositivo) o RDM, es un estándar que permite a los dispositivos con capacidad DMX una comunicación bidireccional por un cableado DMX existente. El Maverick MK Pyxis admite protocolo RDM, que posibilita información para supervisar la temperatura y cambiar opciones del menú. Descargue el manual de usuario de www.chauvetprofessional.com para una información más detallada.

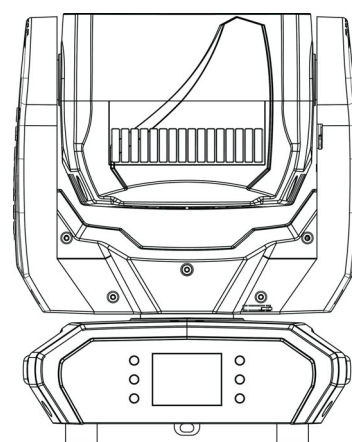
Montaje

Antes de montar este producto, lea las [Notas de Seguridad](#). Utilice al menos dos puntos de montaje por producto. Asegúrese de que las abrazaderas de montaje son capaces de soportar el peso del producto. Para nuestra línea Chauvet de abrazaderas de montaje, visite <http://trusst.com/products>.

Diagrama de Montaje



Montaje en Altura



Montaje en el Suelo

Panel de control con pantalla táctil

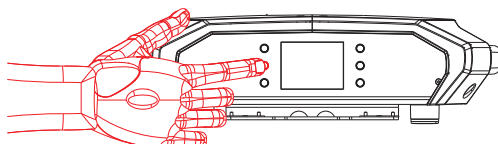
El Maverick MK Pyxis dispone de una pantalla táctil y de 6 botones de control. La pantalla táctil se puede bloquear y calibrar a través de las opciones de **Setup** (configuración) en el menú.

Descripción del Panel de Control

Botón	Función
< ↑ >	Navega hacia arriba por la lista de menú o aumenta el valor numérico cuando está en una función
< ≡ >	Sale del menú o función actual
< ↓ >	Navega hacia abajo por la lista de menú o disminuye el valor numérico cuando está en una función
< ← >	Navega hacia la izquierda por la lista de menú
< ↶ >	Habilita el menú actualmente en pantalla o configura el valor seleccionado actualmente dentro de la función seleccionada
< → >	Navega hacia la derecha por la lista de menú

Pantalla alimentada con batería

Pulse y mantenga pulsado hasta que aparezca la pantalla de menú (aprox. 15 s).



Mapa de Menú

Consulte la página del producto Maverick MK Pyxis en www.chauvetprofessional.com para ver el último mapa de menú.

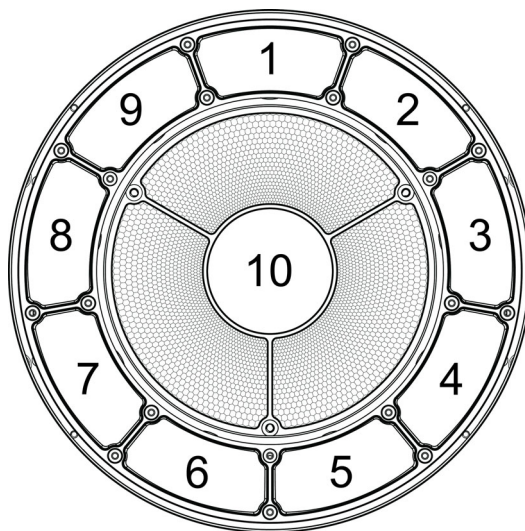
Niveles de Programación				Descripción	
Control Settings				Control Settings Nivel Principal	
Single Control	DMX	Personality	Basic	Configura la personalidad DMX (vea Personalidades de control)	
			Standard		
			Advanced		
			Tour		
		Start Address	0-512	Configura la dirección DMX de inicio	
	ArtNet	Personality	Basic	Configura la personalidad Art-Net™ (vea Personalidades de control)	
			Standard		
			Advanced		
			Tour		
		Start Address	0-512	Configura la dirección Art-Net™ de inicio	
		Universe	0-255	Configura el universo Art-Net™	
	sACN	Personality	Basic	Configura la personalidad sACN (vea Personalidades de control)	
			Standard		
			Advanced		
			Tour		
		Start Address	0-512	Configura la dirección sACN de inicio	
	Universe	0-255	Configura el universo sACN		
WDMX	Personality	Basic	Configura la personalidad WDMX (vea Personalidades de control)		
		Standard			
		Advanced			
		Tour			
	Start Address	0-512	Configura la dirección WDMX de inicio		
Control Settings	Movement	DMX	Basic	Configura la personalidad DMX (vea Personalidades de control)	
			Standard		
			Advanced		
			Tour		
			Start Address	0-512	Configura la dirección DMX de inicio
		ArtNet	Personality	Basic	Configura la personalidad Art-Net™ (vea Personalidades de control)
				Standard	
				Advanced	
				Tour	
			Start Address	0-512	Configura la dirección Art-Net™ de inicio
			Universe	0-255	Configura el universo Art-Net™
		sACN	Personality	Basic	Configura la personalidad sACN (vea Personalidades de control)
	Standard				
	Advanced				
	Tour				
		Start Address	0-512	Configura la dirección sACN de inicio	
	Universe	0-255	Configura el universo sACN		
Dual Control	Pixels	DMX	Basic	Configura la personalidad DMX (vea Personalidades de control)	
			Standard		
			Advanced		
			Tour		
			Start Address	0-512	Configura la dirección DMX de inicio
		ArtNet	Personality	Basic	Configura la personalidad Art-Net™ (vea Personalidades de control)
				Standard	
				Advanced	
Tour					
	Start Address	0-512	Configura la dirección Art-Net™ de inicio		
	Universe	0-255	Configura el universo Art-Net™		
sACN	Personality	Basic	Configura la personalidad sACN (vea Personalidades de control)		
		Standard			
		Advanced			
		Tour			
	Start Address	0-512	Configura la dirección sACN de inicio		
	Universe	0-255	Configura el universo sACN		
	KlingNet	Personality	Basic	Configura la personalidad Kling-Net (vea Personalidades de control)	
			Standard		

Niveles de Programación			Descripción	
Test Mode			Test Mode Nivel Principal	
Test Mode	Auto Test		Prueba automática de todas las funciones	
	Manual Test	Pan	000-255	Controlar y probar todas las funciones a través del panel de control
		Tilt		
		P/T Speed		
		Red		
		Green		
		Blue		
		White		
		CTC		
		Color		
		Pattern		
		LED Macro		
		LED Ma. Speed		
		LED Ma. Fade		
		Background		
		Background Dim.		
		Dimmer		
Shutter				
Function				
Zoom				
Setup			Setup Nivel Principal	
Network Settings	IP Mode	Manual	Configurar la dirección IP manualmente	
		DHCP	La red configura la dirección IP	
		Static	El producto configura la dirección IP	
	IP	-----	Configurar la dirección IP en modo Manual	
	SubMask	-----	Configurar la máscara de subred en modo Manual	
Pan Reverse	NO		Desplazamiento lateral normal	
	YES		Desplazamiento lateral inversa	
Tilt Reverse	NO		Inclinación normal	
	YES		Inclinación inversa	
Zoom Reverse	NO		Zoom normal	
	YES		Zoom invertido	
Screen Reverse	NO		Pantalla normal	
	YES		Pantalla inversa	
	AUTO		Orientación de pantalla automático	
Pan Angle	540		Rango de desplazamiento lateral: 540°	
	360		Rango de desplazamiento lateral: 360°	
	180		Rango de desplazamiento lateral: 180°	
Tilt Angle	270		Rango de inclinación: 270°	
	180		Rango de inclinación: 180°	
	90		Rango de inclinación: 90°	
BL. O. P/T Move	NO		No blackout mientras P/T	
	YES		Blackout mientras P/T	
Calibration	NO		Mantener la configuración actual	
	YES		Calibrar la pantalla táctil	
Touchscreen Lock	NO		La pantalla responden al toque	
	YES		La pantalla no responde al toque	
Lock Screen	NO		Bloqueo los botones y pantalla táctil	
	YES		Contraseña: 0920	
Swap XY	NO		No intercambiar panorámica e inclinación	
	YES		Panorámica controla inclinación, y viceversa	
WDMX Reset	NO		No restablecer WDMX	
	YES		Restablecer WDMX	

Niveles de Programación			Descripción	
Setup (cont.)			Setup Nivel Principal (cont.)	
Setup (cont.)	Backlight Timer	30S	La pantalla se apaga a los 30 segundos	
		1M	La pantalla se apaga al cabo de 1 minuto	
		5M	La pantalla se apaga al cabo de 5 minutos	
		ON	La pantalla permanece encendida	
	Loss of Data	Hold	Mantiene la última señal recibida	
		Close	Pone el dispositivo en blackout	
	Fans	Auto	Velocidad del ventilador según la temperatura del producto	
		Full	Velocidad del ventilador siempre alta	
		ECO	Modo silencioso	
	C Mixing Mode	RGBW	Mezcla de color aditivo (0–100%)	
		CMY	Mezcla de color sustractivo (100%–0)	
	Dimmer Curve	Linear	Configura la curva del atenuador	
		Square		
		I Squa		
		SCurve		
	Dimmer Speed	Smooth	Cambia la velocidad del atenuador	
		Fast		
	PWM Option	600Hz	Selecciona la frecuencia de emisión PWM	
		1200Hz		
		2000Hz		
4000Hz				
6000Hz				
Color Balance	Red	000–255	Configura el valor máximo del LED rojo	
	Green		Configura el valor máximo del LED verde	
	Blue		Configura el valor máximo del LED azul	
	White		Configura el valor máximo del LED rojo	
Preset Select	PRESET A	Opciones de menú preconfiguradas grabadas		
	PRESET B			
	PRESET C			
Preset Sync	NO	Permite transferir las opciones de menú preconfiguradas grabadas a otros Maverick MK Pyxis de la cadena DMX		
	YES			
Reset Function	Pan/Tilt	NO	Restablece las funciones individuales o todas las funciones desde el arranque	
		YES		
	Zoom	NO		
		YES		
All	NO			
	YES			
Factory Settings	NO	Restablece el dispositivo a la configuración de fábrica		
	YES			
Sys Info			Sys Info Nivel Principal	
Sys Info	Fixture Information	Ver	V_	Muestra la versión de firmware
		Running Mode	---	Muestra el modo de ejecución actual
		Address	---	Muestra la dirección de inicio actual
		Temperature	---	Muestra la temperatura actual del producto en °C
		Fixture Hours	-----	Muestra el número de horas que el producto ha estado encendido
		Ip	-----	Muestra la dirección IP actual
		SubMask	-----	Muestra la máscara de subred actual
	MAC	-----	Muestra la dirección MAC actual	
	Fan Information	Head Fan1 Speed	----	Muestra la velocidad de los ventiladores de la cabeza en rpm
		Head Fan2 Speed	----	

Niveles de Programación		Descripción
Sys Info (cont.)		Sys Info Nivel Principal (cont.)
Error Information	No Error!*	Muestra cualquier error o "No Error!"
Sys Info (cont.) Channel Information	Frequency	---
	Pan	
	Pan Fine	
	Tilt	
	Tilt Fine	
	Pan Rotation	
	Tilt Rotation	
	P/T Speed	
	CTC	
	Color (1-2)	
	Pattern	
	LED Macro	
	LED Ma. Speed	
	LED Ma. Fine	
	Background	
	Background Dim.	
	Bg. Dim. Fine	
	Dimmer (A-B)	
	Dimmer Fine (A-B)	
	Shutter (1-2)	
	Zoom	
	Function	
	Red (todo, 1-10)	
	Red Fine (todo, 1-10)	
	Green (todo, 1-10)	
	Green fine (todo, 1-10)	
	Blue (todo, 1-10)	
	Blue Fine (todo, 1-10)	
	White (todo, 1-10)	
	White Fine (todo, 1-10)	
	Dimmer (1-10)	
	Dimmer Fine (1-10)	
		Muestra todos los valores actuales de las señales de entrada, 000-255

Zonas para control de píxel



Valores DMX
Valores “Single Control”
“Single Control”: Modo “Tour” (131Ch)

Canal	Función	Valor	Porcentaje/Configuración
1	Movimiento panorámico	000 ⇔ 255	0–100%
2	Movimiento panorámico fino	000 ⇔ 255	0–100%
3	Inclinación	000 ⇔ 255	0–100%
4	Inclinación fino	000 ⇔ 255	0–100%
5	Movimiento panorámico continua	000	Sin función
		001 ⇔ 127	Movimiento panorámico continua, rápido a lento
		128	Sin función
		129 ⇔ 255	Movimiento panorámico continua inverso, lento a rápido
6	Inclinación continua	000	Sin función
		001 ⇔ 127	Inclinación continua, rápido a lento
		128	Sin función
		129 ⇔ 255	Inclinación continua inverso, lento a rápido
7	Velocidad de movimiento panorámico / inclinación	000 ⇔ 255	Rápido a lento
8	CTC	000	Sin función
		001 ⇔ 255	Temperature de color, 2800–10000 K
9	Color del anillo	000	Sin función
		001 ⇔ 002	2700K R = 156 G = 118 B = 0 W = 63
		003 ⇔ 004	3200K R = 156 G = 141 B = 5 W = 89
		005 ⇔ 006	4200K R = 156 G = 141 B = 14 W = 255
		007 ⇔ 008	5600K R = 156 G = 207 B = 54 W = 255
		009 ⇔ 010	8000K R = 130 G = 255 B = 96 W = 255
		011	Azul R = 0 G = 0 B = 255 W = 0
		012 ⇔ 048	+ verde R = 0 G = 0–255 B = 255 W = 0
		049	Cyan R = 0 G = 255 B = 255 W = 0
		050 ⇔ 086	- azul R = 0 G = 255 B = 255–0 W = 0
		087	Verde R = 0 G = 255 B = 0 W = 0
		088 ⇔ 124	+ rojo R = 0–255 G = 255 B = 0 W = 0
		125	Amarillo R = 255 G = 255 B = 0 W = 0
		126 ⇔ 162	- verde R = 255 G = 255–0 B = 0 W = 0
		163	Rojo R = 255 G = 0 B = 0 W = 0
		164 ⇔ 200	+ azul R = 255 G = 0 B = 0–255 W = 0
		201	Magenta R = 255 G = 0 B = 255 W = 0
		202 ⇔ 238	- rojo R = 255–0 G = 0 B = 255 W = 0
		239	Azul R = 0 G = 0 B = 255 W = 0
		240 ⇔ 247	Cambio de color, rápido a lento
248 ⇔ 255	Salto de color, rápido a lento		

Canal	Función	Valor	Porcentaje/Configuración				
10	Color del haz	000	Sin función				
		001 ⇔ 002	2700K	R = 156	G = 118	B = 0	W = 63
		003 ⇔ 004	3200K	R = 156	G = 141	B = 5	W = 89
		005 ⇔ 006	4200K	R = 156	G = 141	B = 14	W = 255
		007 ⇔ 008	5600K	R = 156	G = 207	B = 54	W = 255
		009 ⇔ 010	8000K	R = 130	G = 255	B = 96	W = 255
		011	Azul	R = 0	G = 0	B = 255	W = 0
		012 ⇔ 048	+ verde	R = 0	G = 0-255	B = 255	W = 0
		049	Cyan	R = 0	G = 255	B = 255	W = 0
		050 ⇔ 086	- azul	R = 0	G = 255	B = 255-0	W = 0
		087	Verde	R = 0	G = 255	B = 0	W = 0
		088 ⇔ 124	+ rojo	R = 0-255	G = 255	B = 0	W = 0
		125	Amarillo	R = 255	G = 255	B = 0	W = 0
		126 ⇔ 162	- verde	R = 255	G = 255-0	B = 0	W = 0
		163	Rojo	R = 255	G = 0	B = 0	W = 0
		164 ⇔ 200	+ azul	R = 255	G = 0	B = 0-255	W = 0
		201	Magenta	R = 255	G = 0	B = 255	W = 0
		202 ⇔ 238	- rojo	R = 255-0	G = 0	B = 255	W = 0
		239	Azul	R = 0	G = 0	B = 255	W = 0
		240 ⇔ 247	Cambio de color, rápido a lento				
248 ⇔ 255	Salto de color, rápido a lento						
11	Gobo	000	Sin función				
		001 ⇔ 255	Gobos (indexado)				
12	Macro LED / Programa automático	000 ⇔ 015	Sin función				
		016 ⇔ 135	Macros LED				
		136 ⇔ 255	Programas automáticos				
13	Velocidad Macro LED / Programa automático	000 ⇔ 127	Rápido a lento sentido horario				
		128	Mantener				
		129 ⇔ 255	Lento a rápido, sentido antihorario				
14	Retardo LED integrado	000 ⇔ 255	Rápido a lento				
15	Color de fondo	000	Sin función				
		001 ⇔ 002	2700K	R = 156	G = 118	B = 0	W = 63
		003 ⇔ 004	3200K	R = 156	G = 141	B = 5	W = 89
		005 ⇔ 006	4200K	R = 156	G = 141	B = 14	W = 255
		007 ⇔ 008	5600K	R = 156	G = 207	B = 54	W = 255
		009 ⇔ 010	8000K	R = 130	G = 255	B = 96	W = 255
		011	Azul	R = 0	G = 0	B = 255	W = 0
		012 ⇔ 048	+ verde	R = 0	G = 0-255	B = 255	W = 0
		049	Cyan	R = 0	G = 255	B = 255	W = 0
		050 ⇔ 086	- azul	R = 0	G = 255	B = 255-0	W = 0
		087	Verde	R = 0	G = 255	B = 0	W = 0
		088 ⇔ 124	+ rojo	R = 0-255	G = 255	B = 0	W = 0
		125	Amarillo	R = 255	G = 255	B = 0	W = 0
		126 ⇔ 162	- verde	R = 255	G = 255-0	B = 0	W = 0
		163	Rojo	R = 255	G = 0	B = 0	W = 0
		164 ⇔ 200	+ azul	R = 255	G = 0	B = 0-255	W = 0
		201	Magenta	R = 255	G = 0	B = 255	W = 0
		202 ⇔ 238	- rojo	R = 255-0	G = 0	B = 255	W = 0
		239	Azul	R = 0	G = 0	B = 255	W = 0
		240 ⇔ 247	Cambio de color, rápido a lento				
248 ⇔ 255	Salto de color, rápido a lento						
16	Atenuador fondo	000 ⇔ 255	0-100%				
17	Atenuador fondo fino	000 ⇔ 255	0-100%				
18	Atenuador principal	000 ⇔ 255	0-100%				
19	Atenuador principal fino	000 ⇔ 255	0-100%				

Canal	Función	Valor	Porcentaje/Configuración
20	Obturador del anillo	000 ⇔ 019	Apagado
		020 ⇔ 024	Encendido
		025 ⇔ 069	Estroboscopio, rápido a lento
		070 ⇔ 089	Estroboscopio 100–0%, rápido a lento
		090 ⇔ 109	Estroboscopio 0–100%, rápido a lento
		110 ⇔ 129	Estroboscopio aleatorio, rápido a lento
		130 ⇔ 149	Estroboscopio aleatorio 100–0%, rápido a lento
		150 ⇔ 169	Estroboscopio aleatorio 0–100%, rápido a lento
		170 ⇔ 189	Estroboscopio pulso, rápido a lento
		190 ⇔ 209	Estroboscopio pulso aleatorio, rápido a lento
		210 ⇔ 229	Estroboscopio 0–100–0%, rápido a lento
		230 ⇔ 244	Estroboscopio pulso aleatorio, rápido a lento
		245 ⇔ 255	Encendido
21	Obturador del haz	000 ⇔ 019	Apagado
		020 ⇔ 024	Encendido
		025 ⇔ 069	Estroboscopio, rápido a lento
		070 ⇔ 089	Estroboscopio 100–0%, rápido a lento
		090 ⇔ 109	Estroboscopio 0–100%, rápido a lento
		110 ⇔ 129	Estroboscopio aleatorio, rápido a lento
		130 ⇔ 149	Estroboscopio aleatorio 100–0%, rápido a lento
		150 ⇔ 169	Estroboscopio aleatorio 0–100%, rápido a lento
		170 ⇔ 189	Estroboscopio pulso, rápido a lento
		190 ⇔ 209	Estroboscopio pulso aleatorio, rápido a lento
		210 ⇔ 229	Estroboscopio 0–100–0%, rápido a lento
		230 ⇔ 244	Estroboscopio pulso aleatorio, rápido a lento
		245 ⇔ 255	Encendido
22	Zoom	000 ⇔ 255	Ancho a estrecho
23	Control	000 ⇔ 009	Sin función
		010 ⇔ 014	Blackout panorámica/inclinación
		015 ⇔ 019	Reservado para usos futuros
		020 ⇔ 024	Modo de mezcla de color RGBW (adición)
		025 ⇔ 029	Modo de mezcla de color CMY (sustracción)
		030 ⇔ 049	Reservado para usos futuros
		050 ⇔ 054	Reiniciar movimiento panorámico
		055 ⇔ 059	Reiniciar inclinación
		060 ⇔ 064	Restablecer zoom
		065 ⇔ 069	Reservado para usos futuros
		070 ⇔ 074	Reiniciar todo
		075 ⇔ 109	Reservado para usos futuros
		110 ⇔ 114	Velocidad alta panorámica/Inclinación
		115 ⇔ 119	Velocidad baja panorámica/Inclinación
		120 ⇔ 124	Modo de ventilador lento
		125 ⇔ 129	Modo de ventilador al máximo
		130 ⇔ 134	Modo de ventilador automático
135 ⇔ 139	Modo de atenuador rápido		
140 ⇔ 144	Modo de atenuador lento		
145 ⇔ 255	Reservado para usos futuros		
24	Rojo principal	000 ⇔ 255	Modo RGBW: 0–100% / Modo CMY: 100–0%
25	Rojo principal fino	000 ⇔ 255	Modo RGBW: 0–100% / Modo CMY: 100–0%
26	Verde principal	000 ⇔ 255	Modo RGBW: 0–100% / Modo CMY: 100–0%
27	Verde principal fino	000 ⇔ 255	Modo RGBW: 0–100% / Modo CMY: 100–0%
28	Azul principal	000 ⇔ 255	Modo RGBW: 0–100% / Modo CMY: 100–0%
29	Azul principal fino	000 ⇔ 255	Modo RGBW: 0–100% / Modo CMY: 100–0%
30	Blanco principal	000 ⇔ 255	Modo RGBW: 0–100% / Modo CMY: 100–0%
31	Blanco principal fino	000 ⇔ 255	Modo RGBW: 0–100% / Modo CMY: 100–0%

Canal	Función	Valor	Porcentaje/Configuración
32	Atenuador 1	000 ⇔ 255	0–100%
33	Atenuador fino 1	000 ⇔ 255	0–100%
34	Rojo 1	000 ⇔ 255	Modo RGBW: 0–100% / Modo CMY: 100–0%
35	Rojo fino 1	000 ⇔ 255	Modo RGBW: 0–100% / Modo CMY: 100–0%
36	Verde 1	000 ⇔ 255	Modo RGBW: 0–100% / Modo CMY: 100–0%
37	Verde fino 1	000 ⇔ 255	Modo RGBW: 0–100% / Modo CMY: 100–0%
38	Azul 1	000 ⇔ 255	Modo RGBW: 0–100% / Modo CMY: 100–0%
39	Azul fino 1	000 ⇔ 255	Modo RGBW: 0–100% / Modo CMY: 100–0%
40	Blanco 1	000 ⇔ 255	Modo RGBW: 0–100% / Modo CMY: 100–0%
41	Blanco fino 1	000 ⇔ 255	Modo RGBW: 0–100% / Modo CMY: 100–0%
42	Atenuador 2	000 ⇔ 255	0–100%
43	Atenuador fino 2	000 ⇔ 255	0–100%
44	Rojo 2	000 ⇔ 255	Modo RGBW: 0–100% / Modo CMY: 100–0%
45	Rojo fino 2	000 ⇔ 255	Modo RGBW: 0–100% / Modo CMY: 100–0%
46	Verde 2	000 ⇔ 255	Modo RGBW: 0–100% / Modo CMY: 100–0%
47	Verde fino 2	000 ⇔ 255	Modo RGBW: 0–100% / Modo CMY: 100–0%
48	Azul 2	000 ⇔ 255	Modo RGBW: 0–100% / Modo CMY: 100–0%
49	Azul fino 2	000 ⇔ 255	Modo RGBW: 0–100% / Modo CMY: 100–0%
50	Blanco 2	000 ⇔ 255	Modo RGBW: 0–100% / Modo CMY: 100–0%
51	Blanco fino 2	000 ⇔ 255	Modo RGBW: 0–100% / Modo CMY: 100–0%
52	Atenuador 3	000 ⇔ 255	0–100%
53	Atenuador fino 3	000 ⇔ 255	0–100%
54	Rojo 3	000 ⇔ 255	Modo RGBW: 0–100% / Modo CMY: 100–0%
55	Rojo fino 3	000 ⇔ 255	Modo RGBW: 0–100% / Modo CMY: 100–0%
56	Verde 3	000 ⇔ 255	Modo RGBW: 0–100% / Modo CMY: 100–0%
57	Verde fino 3	000 ⇔ 255	Modo RGBW: 0–100% / Modo CMY: 100–0%
58	Azul 3	000 ⇔ 255	Modo RGBW: 0–100% / Modo CMY: 100–0%
59	Azul fino 3	000 ⇔ 255	Modo RGBW: 0–100% / Modo CMY: 100–0%
60	Blanco 3	000 ⇔ 255	Modo RGBW: 0–100% / Modo CMY: 100–0%
61	Blanco fino 3	000 ⇔ 255	Modo RGBW: 0–100% / Modo CMY: 100–0%
62	Atenuador 4	000 ⇔ 255	0–100%
63	Atenuador fino 4	000 ⇔ 255	0–100%
64	Rojo 4	000 ⇔ 255	Modo RGBW: 0–100% / Modo CMY: 100–0%
65	Rojo fino 4	000 ⇔ 255	Modo RGBW: 0–100% / Modo CMY: 100–0%
66	Verde 4	000 ⇔ 255	Modo RGBW: 0–100% / Modo CMY: 100–0%
67	Verde fino 4	000 ⇔ 255	Modo RGBW: 0–100% / Modo CMY: 100–0%
68	Azul 4	000 ⇔ 255	Modo RGBW: 0–100% / Modo CMY: 100–0%
69	Azul fino 4	000 ⇔ 255	Modo RGBW: 0–100% / Modo CMY: 100–0%
70	Blanco 4	000 ⇔ 255	Modo RGBW: 0–100% / Modo CMY: 100–0%
71	Blanco fino 4	000 ⇔ 255	Modo RGBW: 0–100% / Modo CMY: 100–0%
72	Atenuador 5	000 ⇔ 255	0–100%
73	Atenuador fino 5	000 ⇔ 255	0–100%
74	Rojo 5	000 ⇔ 255	Modo RGBW: 0–100% / Modo CMY: 100–0%
75	Rojo fino 5	000 ⇔ 255	Modo RGBW: 0–100% / Modo CMY: 100–0%
76	Verde 5	000 ⇔ 255	Modo RGBW: 0–100% / Modo CMY: 100–0%
77	Verde fino 5	000 ⇔ 255	Modo RGBW: 0–100% / Modo CMY: 100–0%
78	Azul 5	000 ⇔ 255	Modo RGBW: 0–100% / Modo CMY: 100–0%
79	Azul fino 5	000 ⇔ 255	Modo RGBW: 0–100% / Modo CMY: 100–0%
80	Blanco 5	000 ⇔ 255	Modo RGBW: 0–100% / Modo CMY: 100–0%
81	Blanco fino 5	000 ⇔ 255	Modo RGBW: 0–100% / Modo CMY: 100–0%
82	Atenuador 6	000 ⇔ 255	0–100%
83	Atenuador fino 6	000 ⇔ 255	0–100%
84	Rojo 6	000 ⇔ 255	Modo RGBW: 0–100% / Modo CMY: 100–0%
85	Rojo fino 6	000 ⇔ 255	Modo RGBW: 0–100% / Modo CMY: 100–0%

Canal	Función	Valor	Porcentaje/Configuración
86	Verde 6	000 ⇄ 255	Modo RGBW: 0–100% / Modo CMY: 100–0%
87	Verde fino 6	000 ⇄ 255	Modo RGBW: 0–100% / Modo CMY: 100–0%
88	Azul 6	000 ⇄ 255	Modo RGBW: 0–100% / Modo CMY: 100–0%
89	Azul fino 6	000 ⇄ 255	Modo RGBW: 0–100% / Modo CMY: 100–0%
90	Blanco 6	000 ⇄ 255	Modo RGBW: 0–100% / Modo CMY: 100–0%
91	Blanco fino 6	000 ⇄ 255	Modo RGBW: 0–100% / Modo CMY: 100–0%
92	Atenuador 7	000 ⇄ 255	0–100%
93	Atenuador fino 7	000 ⇄ 255	0–100%
94	Rojo 7	000 ⇄ 255	Modo RGBW: 0–100% / Modo CMY: 100–0%
95	Rojo fino 7	000 ⇄ 255	Modo RGBW: 0–100% / Modo CMY: 100–0%
96	Verde 7	000 ⇄ 255	Modo RGBW: 0–100% / Modo CMY: 100–0%
97	Verde fino 7	000 ⇄ 255	Modo RGBW: 0–100% / Modo CMY: 100–0%
98	Azul 7	000 ⇄ 255	Modo RGBW: 0–100% / Modo CMY: 100–0%
99	Azul fino 7	000 ⇄ 255	Modo RGBW: 0–100% / Modo CMY: 100–0%
100	Blanco 7	000 ⇄ 255	Modo RGBW: 0–100% / Modo CMY: 100–0%
101	Blanco fino 7	000 ⇄ 255	Modo RGBW: 0–100% / Modo CMY: 100–0%
102	Atenuador 8	000 ⇄ 255	0–100%
103	Atenuador fino 8	000 ⇄ 255	0–100%
104	Rojo 8	000 ⇄ 255	Modo RGBW: 0–100% / Modo CMY: 100–0%
105	Rojo fino 8	000 ⇄ 255	Modo RGBW: 0–100% / Modo CMY: 100–0%
106	Verde 8	000 ⇄ 255	Modo RGBW: 0–100% / Modo CMY: 100–0%
107	Verde fino 8	000 ⇄ 255	Modo RGBW: 0–100% / Modo CMY: 100–0%
108	Azul 8	000 ⇄ 255	Modo RGBW: 0–100% / Modo CMY: 100–0%
109	Azul fino 8	000 ⇄ 255	Modo RGBW: 0–100% / Modo CMY: 100–0%
110	Blanco 8	000 ⇄ 255	Modo RGBW: 0–100% / Modo CMY: 100–0%
111	Blanco fino 8	000 ⇄ 255	Modo RGBW: 0–100% / Modo CMY: 100–0%
112	Atenuador 9	000 ⇄ 255	0–100%
113	Atenuador fino 9	000 ⇄ 255	0–100%
114	Rojo 9	000 ⇄ 255	Modo RGBW: 0–100% / Modo CMY: 100–0%
115	Rojo fino 9	000 ⇄ 255	Modo RGBW: 0–100% / Modo CMY: 100–0%
116	Verde 9	000 ⇄ 255	Modo RGBW: 0–100% / Modo CMY: 100–0%
117	Verde fino 9	000 ⇄ 255	Modo RGBW: 0–100% / Modo CMY: 100–0%
118	Azul 9	000 ⇄ 255	Modo RGBW: 0–100% / Modo CMY: 100–0%
119	Azul fino 9	000 ⇄ 255	Modo RGBW: 0–100% / Modo CMY: 100–0%
120	Blanco 9	000 ⇄ 255	Modo RGBW: 0–100% / Modo CMY: 100–0%
121	Blanco fino 9	000 ⇄ 255	Modo RGBW: 0–100% / Modo CMY: 100–0%
122	Atenuador 10	000 ⇄ 255	0–100%
123	Atenuador fino 10	000 ⇄ 255	0–100%
124	Rojo 10	000 ⇄ 255	Modo RGBW: 0–100% / Modo CMY: 100–0%
125	Rojo fino 10	000 ⇄ 255	Modo RGBW: 0–100% / Modo CMY: 100–0%
126	Verde 10	000 ⇄ 255	Modo RGBW: 0–100% / Modo CMY: 100–0%
127	Verde fino 10	000 ⇄ 255	Modo RGBW: 0–100% / Modo CMY: 100–0%
128	Azul 10	000 ⇄ 255	Modo RGBW: 0–100% / Modo CMY: 100–0%
129	Azul fino 10	000 ⇄ 255	Modo RGBW: 0–100% / Modo CMY: 100–0%
130	Blanco 10	000 ⇄ 255	Modo RGBW: 0–100% / Modo CMY: 100–0%
131	Blanco fino 10	000 ⇄ 255	Modo RGBW: 0–100% / Modo CMY: 100–0%

“Single Control”: Modo “Advanced” (113Ch)

Canal	Función	Valor	Porcentaje/Configuración
1	Movimiento panorámico	000 ⇔ 255	0–100%
2	Movimiento panorámico fino	000 ⇔ 255	0–100%
3	Inclinación	000 ⇔ 255	0–100%
4	Inclinación fino	000 ⇔ 255	0–100%
5	Movimiento panorámico continua	000	Sin función
		001 ⇔ 127	Movimiento panorámico continua, rápido a lento
		128 129 ⇔ 255	Sin función Movimiento panorámico continua inverso, lento a rápido
6	Inclinación continua	000	Sin función
		001 ⇔ 127	Inclinación continua, rápido a lento
		128 129 ⇔ 255	Sin función Inclinación continua inverso, lento a rápido
7	Velocidad de movimiento panorámico / inclinación	000 ⇔ 255	Rápido a lento
8	CTC	000	Sin función
		001 ⇔ 255	Temperature de color, 2800–10000 K
9	Color del anillo	000	Sin función
		001 ⇔ 002	2700K R = 156 G = 118 B = 0 W = 63
		003 ⇔ 004	3200K R = 156 G = 141 B = 5 W = 89
		005 ⇔ 006	4200K R = 156 G = 141 B = 14 W = 255
		007 ⇔ 008	5600K R = 156 G = 207 B = 54 W = 255
		009 ⇔ 010	8000K R = 130 G = 255 B = 96 W = 255
		011	Azul R = 0 G = 0 B = 255 W = 0
		012 ⇔ 048	+ verde R = 0 G = 0–255 B = 255 W = 0
		049	Cyan R = 0 G = 255 B = 255 W = 0
		050 ⇔ 086	- azul R = 0 G = 255 B = 255–0 W = 0
		087	Verde R = 0 G = 255 B = 0 W = 0
		088 ⇔ 124	+ rojo R = 0–255 G = 255 B = 0 W = 0
		125	Amarillo R = 255 G = 255 B = 0 W = 0
		126 ⇔ 162	- verde R = 255 G = 255–0 B = 0 W = 0
		163	Rojo R = 255 G = 0 B = 0 W = 0
		164 ⇔ 200	+ azul R = 255 G = 0 B = 0–255 W = 0
		201	Magenta R = 255 G = 0 B = 255 W = 0
		202 ⇔ 238	- rojo R = 255–0 G = 0 B = 255 W = 0
		239	Azul R = 0 G = 0 B = 255 W = 0
		240 ⇔ 247	Cambio de color, rápido a lento
248 ⇔ 255	Salto de color, rápido a lento		

Canal	Función	Valor	Porcentaje/Configuración				
10	Color del haz	000	Sin función				
		001 ⇔ 002	2700K	R = 156	G = 118	B = 0	W = 63
		003 ⇔ 004	3200K	R = 156	G = 141	B = 5	W = 89
		005 ⇔ 006	4200K	R = 156	G = 141	B = 14	W = 255
		007 ⇔ 008	5600K	R = 156	G = 207	B = 54	W = 255
		009 ⇔ 010	8000K	R = 130	G = 255	B = 96	W = 255
		011	Azul	R = 0	G = 0	B = 255	W = 0
		012 ⇔ 048	+ verde	R = 0	G = 0-255	B = 255	W = 0
		049	Cyan	R = 0	G = 255	B = 255	W = 0
		050 ⇔ 086	- azul	R = 0	G = 255	B = 255-0	W = 0
		087	Verde	R = 0	G = 255	B = 0	W = 0
		088 ⇔ 124	+ rojo	R = 0-255	G = 255	B = 0	W = 0
		125	Amarillo	R = 255	G = 255	B = 0	W = 0
		126 ⇔ 162	- verde	R = 255	G = 255-0	B = 0	W = 0
		163	Rojo	R = 255	G = 0	B = 0	W = 0
		164 ⇔ 200	+ azul	R = 255	G = 0	B = 0-255	W = 0
		201	Magenta	R = 255	G = 0	B = 255	W = 0
		202 ⇔ 238	- rojo	R = 255-0	G = 0	B = 255	W = 0
		239	Azul	R = 0	G = 0	B = 255	W = 0
		240 ⇔ 247	Cambio de color, rápido a lento				
248 ⇔ 255	Salto de color, rápido a lento						
11	Gobo	000	Sin función				
		001 ⇔ 255	Gobos (indexado)				
12	Macro LED / Programa automático	000 ⇔ 015	Sin función				
		016 ⇔ 135	Macros LED				
		136 ⇔ 255	Programas automáticos				
13	Velocidad Macro LED / Programa automático	000 ⇔ 127	Rápido a lento sentido horario				
		128	Mantener				
		129 ⇔ 255	Lento a rápido, sentido antihorario				
14	Retardo LED integrado	000 ⇔ 255	Rápido a lento				
15	Color de fondo	000	Sin función				
		001 ⇔ 002	2700K	R = 156	G = 118	B = 0	W = 63
		003 ⇔ 004	3200K	R = 156	G = 141	B = 5	W = 89
		005 ⇔ 006	4200K	R = 156	G = 141	B = 14	W = 255
		007 ⇔ 008	5600K	R = 156	G = 207	B = 54	W = 255
		009 ⇔ 010	8000K	R = 130	G = 255	B = 96	W = 255
		011	Azul	R = 0	G = 0	B = 255	W = 0
		012 ⇔ 048	+ verde	R = 0	G = 0-255	B = 255	W = 0
		049	Cyan	R = 0	G = 255	B = 255	W = 0
		050 ⇔ 086	- azul	R = 0	G = 255	B = 255-0	W = 0
		087	Verde	R = 0	G = 255	B = 0	W = 0
		088 ⇔ 124	+ rojo	R = 0-255	G = 255	B = 0	W = 0
		125	Amarillo	R = 255	G = 255	B = 0	W = 0
		126 ⇔ 162	- verde	R = 255	G = 255-0	B = 0	W = 0
		163	Rojo	R = 255	G = 0	B = 0	W = 0
		164 ⇔ 200	+ azul	R = 255	G = 0	B = 0-255	W = 0
		201	Magenta	R = 255	G = 0	B = 255	W = 0
		202 ⇔ 238	- rojo	R = 255-0	G = 0	B = 255	W = 0
		239	Azul	R = 0	G = 0	B = 255	W = 0
		240 ⇔ 247	Cambio de color, rápido a lento				
248 ⇔ 255	Salto de color, rápido a lento						
16	Atenuador fondo	000 ⇔ 255	0-100%				
17	Atenuador fondo fino	000 ⇔ 255	0-100%				
18	Atenuador del anillo	000 ⇔ 255	0-100%				
19	Atenuador del anillo fino	000 ⇔ 255	0-100%				

Canal	Función	Valor	Porcentaje/Configuración
20	Atenuador del haz	000 ⇔ 255	0–100%
21	Atenuador del haz fino	000 ⇔ 255	0–100%
22	Obturador del anillo	000 ⇔ 019	Apagado
		020 ⇔ 024	Encendido
		025 ⇔ 069	Estroboscopio, rápido a lento
		070 ⇔ 089	Estroboscopio 100–0%, rápido a lento
		090 ⇔ 109	Estroboscopio 0–100%, rápido a lento
		110 ⇔ 129	Estroboscopio aleatorio, rápido a lento
		130 ⇔ 149	Estroboscopio aleatorio 100–0%, rápido a lento
		150 ⇔ 169	Estroboscopio aleatorio 0–100%, rápido a lento
		170 ⇔ 189	Estroboscopio pulso, rápido a lento
		190 ⇔ 209	Estroboscopio pulso aleatorio, rápido a lento
		210 ⇔ 229	Estroboscopio 0–100–0%, rápido a lento
		230 ⇔ 244	Estroboscopio pulso aleatorio, rápido a lento
245 ⇔ 255	Encendido		
23	Obturador del haz	000 ⇔ 019	Apagado
		020 ⇔ 024	Encendido
		025 ⇔ 069	Estroboscopio, rápido a lento
		070 ⇔ 089	Estroboscopio 100–0%, rápido a lento
		090 ⇔ 109	Estroboscopio 0–100%, rápido a lento
		110 ⇔ 129	Estroboscopio aleatorio, rápido a lento
		130 ⇔ 149	Estroboscopio aleatorio 100–0%, rápido a lento
		150 ⇔ 169	Estroboscopio aleatorio 0–100%, rápido a lento
		170 ⇔ 189	Estroboscopio pulso, rápido a lento
		190 ⇔ 209	Estroboscopio pulso aleatorio, rápido a lento
		210 ⇔ 229	Estroboscopio 0–100–0%, rápido a lento
		230 ⇔ 244	Estroboscopio pulso aleatorio, rápido a lento
245 ⇔ 255	Encendido		
24	Zoom	000 ⇔ 255	Ancho a estrecho
25	Control	000 ⇔ 009	Sin función
		010 ⇔ 014	Blackout panorámica/inclinación
		015 ⇔ 019	Reservado para usos futuros
		020 ⇔ 024	Modo de mezcla de color RGBW (adición)
		025 ⇔ 029	Modo de mezcla de color CMY (sustracción)
		030 ⇔ 049	Reservado para usos futuros
		050 ⇔ 054	Reiniciar movimiento panorámico
		055 ⇔ 059	Reiniciar inclinación
		060 ⇔ 064	Restablecer zoom
		065 ⇔ 069	Reservado para usos futuros
		070 ⇔ 074	Reiniciar todo
		075 ⇔ 109	Reservado para usos futuros
		110 ⇔ 114	Velocidad alta panorámica/Inclinación
		115 ⇔ 119	Velocidad baja panorámica/Inclinación
		120 ⇔ 124	Modo de ventilador lento
		125 ⇔ 129	Modo de ventilador al máximo
		130 ⇔ 134	Modo de ventilador automático
135 ⇔ 139	Modo de atenuador rápido		
140 ⇔ 144	Modo de atenuador lento		
145 ⇔ 255	Reservado para usos futuros		
26	Rojo principal	000 ⇔ 255	Modo RGBW: 0–100% / Modo CMY: 100–0%
27	Rojo principal fino	000 ⇔ 255	Modo RGBW: 0–100% / Modo CMY: 100–0%
28	Verde principal	000 ⇔ 255	Modo RGBW: 0–100% / Modo CMY: 100–0%
29	Verde principal fino	000 ⇔ 255	Modo RGBW: 0–100% / Modo CMY: 100–0%
30	Azul principal	000 ⇔ 255	Modo RGBW: 0–100% / Modo CMY: 100–0%
31	Azul principal fino	000 ⇔ 255	Modo RGBW: 0–100% / Modo CMY: 100–0%

Canal	Función	Valor	Porcentaje/Configuración
32	Blanco principal	000 ⇔ 255	Modo RGBW: 0–100% / Modo CMY: 100–0%
33	Blanco principal fino	000 ⇔ 255	Modo RGBW: 0–100% / Modo CMY: 100–0%
34	Rojo 1	000 ⇔ 255	Modo RGBW: 0–100% / Modo CMY: 100–0%
35	Rojo fino 1	000 ⇔ 255	Modo RGBW: 0–100% / Modo CMY: 100–0%
36	Verde 1	000 ⇔ 255	Modo RGBW: 0–100% / Modo CMY: 100–0%
37	Verde fino 1	000 ⇔ 255	Modo RGBW: 0–100% / Modo CMY: 100–0%
38	Azul 1	000 ⇔ 255	Modo RGBW: 0–100% / Modo CMY: 100–0%
39	Azul fino 1	000 ⇔ 255	Modo RGBW: 0–100% / Modo CMY: 100–0%
40	Blanco 1	000 ⇔ 255	Modo RGBW: 0–100% / Modo CMY: 100–0%
41	Blanco fino 1	000 ⇔ 255	Modo RGBW: 0–100% / Modo CMY: 100–0%
42	Rojo 2	000 ⇔ 255	Modo RGBW: 0–100% / Modo CMY: 100–0%
43	Rojo fino 2	000 ⇔ 255	Modo RGBW: 0–100% / Modo CMY: 100–0%
44	Verde 2	000 ⇔ 255	Modo RGBW: 0–100% / Modo CMY: 100–0%
45	Verde fino 2	000 ⇔ 255	Modo RGBW: 0–100% / Modo CMY: 100–0%
46	Azul 2	000 ⇔ 255	Modo RGBW: 0–100% / Modo CMY: 100–0%
47	Azul fino 2	000 ⇔ 255	Modo RGBW: 0–100% / Modo CMY: 100–0%
48	Blanco 2	000 ⇔ 255	Modo RGBW: 0–100% / Modo CMY: 100–0%
49	Blanco fino 2	000 ⇔ 255	Modo RGBW: 0–100% / Modo CMY: 100–0%
50	Rojo 3	000 ⇔ 255	Modo RGBW: 0–100% / Modo CMY: 100–0%
51	Rojo fino 3	000 ⇔ 255	Modo RGBW: 0–100% / Modo CMY: 100–0%
52	Verde 3	000 ⇔ 255	Modo RGBW: 0–100% / Modo CMY: 100–0%
53	Verde fino 3	000 ⇔ 255	Modo RGBW: 0–100% / Modo CMY: 100–0%
54	Azul 3	000 ⇔ 255	Modo RGBW: 0–100% / Modo CMY: 100–0%
55	Azul fino 3	000 ⇔ 255	Modo RGBW: 0–100% / Modo CMY: 100–0%
56	Blanco 3	000 ⇔ 255	Modo RGBW: 0–100% / Modo CMY: 100–0%
57	Blanco fino 3	000 ⇔ 255	Modo RGBW: 0–100% / Modo CMY: 100–0%
58	Rojo 4	000 ⇔ 255	Modo RGBW: 0–100% / Modo CMY: 100–0%
59	Rojo fino 4	000 ⇔ 255	Modo RGBW: 0–100% / Modo CMY: 100–0%
60	Verde 4	000 ⇔ 255	Modo RGBW: 0–100% / Modo CMY: 100–0%
61	Verde fino 4	000 ⇔ 255	Modo RGBW: 0–100% / Modo CMY: 100–0%
62	Azul 4	000 ⇔ 255	Modo RGBW: 0–100% / Modo CMY: 100–0%
63	Azul fino 4	000 ⇔ 255	Modo RGBW: 0–100% / Modo CMY: 100–0%
64	Blanco 4	000 ⇔ 255	Modo RGBW: 0–100% / Modo CMY: 100–0%
65	Blanco fino 4	000 ⇔ 255	Modo RGBW: 0–100% / Modo CMY: 100–0%
66	Rojo 5	000 ⇔ 255	Modo RGBW: 0–100% / Modo CMY: 100–0%
67	Rojo fino 5	000 ⇔ 255	Modo RGBW: 0–100% / Modo CMY: 100–0%
68	Verde 5	000 ⇔ 255	Modo RGBW: 0–100% / Modo CMY: 100–0%
69	Verde fino 5	000 ⇔ 255	Modo RGBW: 0–100% / Modo CMY: 100–0%
70	Azul 5	000 ⇔ 255	Modo RGBW: 0–100% / Modo CMY: 100–0%
71	Azul fino 5	000 ⇔ 255	Modo RGBW: 0–100% / Modo CMY: 100–0%
72	Blanco 5	000 ⇔ 255	Modo RGBW: 0–100% / Modo CMY: 100–0%
73	Blanco fino 5	000 ⇔ 255	Modo RGBW: 0–100% / Modo CMY: 100–0%
74	Rojo 6	000 ⇔ 255	Modo RGBW: 0–100% / Modo CMY: 100–0%
75	Rojo fino 6	000 ⇔ 255	Modo RGBW: 0–100% / Modo CMY: 100–0%
76	Verde 6	000 ⇔ 255	Modo RGBW: 0–100% / Modo CMY: 100–0%
77	Verde fino 6	000 ⇔ 255	Modo RGBW: 0–100% / Modo CMY: 100–0%
78	Azul 6	000 ⇔ 255	Modo RGBW: 0–100% / Modo CMY: 100–0%
79	Azul fino 6	000 ⇔ 255	Modo RGBW: 0–100% / Modo CMY: 100–0%
80	Blanco 6	000 ⇔ 255	Modo RGBW: 0–100% / Modo CMY: 100–0%
81	Blanco fino 6	000 ⇔ 255	Modo RGBW: 0–100% / Modo CMY: 100–0%
82	Rojo 7	000 ⇔ 255	Modo RGBW: 0–100% / Modo CMY: 100–0%
83	Rojo fino 7	000 ⇔ 255	Modo RGBW: 0–100% / Modo CMY: 100–0%
84	Verde 7	000 ⇔ 255	Modo RGBW: 0–100% / Modo CMY: 100–0%
85	Verde fino 7	000 ⇔ 255	Modo RGBW: 0–100% / Modo CMY: 100–0%

Canal	Función	Valor	Porcentaje/Configuración
86	Azul 7	000 ⇔ 255	Modo RGBW: 0–100% / Modo CMY: 100–0%
87	Azul fino 7	000 ⇔ 255	Modo RGBW: 0–100% / Modo CMY: 100–0%
88	Blanco 7	000 ⇔ 255	Modo RGBW: 0–100% / Modo CMY: 100–0%
89	Blanco fino 7	000 ⇔ 255	Modo RGBW: 0–100% / Modo CMY: 100–0%
90	Rojo 8	000 ⇔ 255	Modo RGBW: 0–100% / Modo CMY: 100–0%
91	Rojo fino 8	000 ⇔ 255	Modo RGBW: 0–100% / Modo CMY: 100–0%
92	Verde 8	000 ⇔ 255	Modo RGBW: 0–100% / Modo CMY: 100–0%
93	Verde fino 8	000 ⇔ 255	Modo RGBW: 0–100% / Modo CMY: 100–0%
94	Azul 8	000 ⇔ 255	Modo RGBW: 0–100% / Modo CMY: 100–0%
95	Azul fino 8	000 ⇔ 255	Modo RGBW: 0–100% / Modo CMY: 100–0%
96	Blanco 8	000 ⇔ 255	Modo RGBW: 0–100% / Modo CMY: 100–0%
97	Blanco fino 8	000 ⇔ 255	Modo RGBW: 0–100% / Modo CMY: 100–0%
98	Rojo 9	000 ⇔ 255	Modo RGBW: 0–100% / Modo CMY: 100–0%
99	Rojo fino 9	000 ⇔ 255	Modo RGBW: 0–100% / Modo CMY: 100–0%
100	Verde 9	000 ⇔ 255	Modo RGBW: 0–100% / Modo CMY: 100–0%
101	Verde fino 9	000 ⇔ 255	Modo RGBW: 0–100% / Modo CMY: 100–0%
102	Azul 9	000 ⇔ 255	Modo RGBW: 0–100% / Modo CMY: 100–0%
103	Azul fino 9	000 ⇔ 255	Modo RGBW: 0–100% / Modo CMY: 100–0%
104	Blanco 9	000 ⇔ 255	Modo RGBW: 0–100% / Modo CMY: 100–0%
105	Blanco fino 9	000 ⇔ 255	Modo RGBW: 0–100% / Modo CMY: 100–0%
106	Rojo 10	000 ⇔ 255	Modo RGBW: 0–100% / Modo CMY: 100–0%
107	Rojo fino 10	000 ⇔ 255	Modo RGBW: 0–100% / Modo CMY: 100–0%
108	Verde 10	000 ⇔ 255	Modo RGBW: 0–100% / Modo CMY: 100–0%
109	Verde fino 10	000 ⇔ 255	Modo RGBW: 0–100% / Modo CMY: 100–0%
110	Azul 10	000 ⇔ 255	Modo RGBW: 0–100% / Modo CMY: 100–0%
111	Azul fino 10	000 ⇔ 255	Modo RGBW: 0–100% / Modo CMY: 100–0%
112	Blanco 10	000 ⇔ 255	Modo RGBW: 0–100% / Modo CMY: 100–0%
113	Blanco fino 10	000 ⇔ 255	Modo RGBW: 0–100% / Modo CMY: 100–0%

“Single Control”: Modo “Standard” (66Ch)

Canal	Función	Valor	Porcentaje/Configuración
1	Movimiento panorámico	000 ⇔ 255	0–100%
2	Movimiento panorámico fino	000 ⇔ 255	0–100%
3	Inclinación	000 ⇔ 255	0–100%
4	Inclinación fino	000 ⇔ 255	0–100%
5	Movimiento panorámico continua	000	Sin función
		001 ⇔ 127	Movimiento panorámico continua, rápido a lento
		128	Sin función
6	Inclinación continua	129 ⇔ 255	Movimiento panorámico continua inverso, lento a rápido
		000	Sin función
		001 ⇔ 127	Inclinación continua, rápido a lento
7	Velocidad de movimiento panorámico / inclinación	128	Sin función
		129 ⇔ 255	Inclinación continua inverso, lento a rápido
		000 ⇔ 255	Rápido a lento
8	CTC	000	Sin función
		001 ⇔ 255	Temperature de color, 2800–10000 K
9	Color del anillo	000	Sin función
		001 ⇔ 002	2700K R = 156 G = 118 B = 0 W = 63
		003 ⇔ 004	3200K R = 156 G = 141 B = 5 W = 89
		005 ⇔ 006	4200K R = 156 G = 141 B = 14 W = 255
		007 ⇔ 008	5600K R = 156 G = 207 B = 54 W = 255
		009 ⇔ 010	8000K R = 130 G = 255 B = 96 W = 255
		011	Azul R = 0 G = 0 B = 255 W = 0
		012 ⇔ 048	+ verde R = 0 G = 0–255 B = 255 W = 0
		049	Cyan R = 0 G = 255 B = 255 W = 0
		050 ⇔ 086	- azul R = 0 G = 255 B = 255–0 W = 0
		087	Verde R = 0 G = 255 B = 0 W = 0
		088 ⇔ 124	+ rojo R = 0–255 G = 255 B = 0 W = 0
		125	Amarillo R = 255 G = 255 B = 0 W = 0
		126 ⇔ 162	- verde R = 255 G = 255–0 B = 0 W = 0
		163	Rojo R = 255 G = 0 B = 0 W = 0
		164 ⇔ 200	+ azul R = 255 G = 0 B = 0–255 W = 0
		201	Magenta R = 255 G = 0 B = 255 W = 0
		202 ⇔ 238	- rojo R = 255–0 G = 0 B = 255 W = 0
		239	Azul R = 0 G = 0 B = 255 W = 0
		240 ⇔ 247	Cambio de color, rápido a lento
248 ⇔ 255	Salto de color, rápido a lento		

Canal	Función	Valor	Porcentaje/Configuración				
10	Color del haz	000	Sin función				
		001 ⇔ 002	2700K	R = 156	G = 118	B = 0	W = 63
		003 ⇔ 004	3200K	R = 156	G = 141	B = 5	W = 89
		005 ⇔ 006	4200K	R = 156	G = 141	B = 14	W = 255
		007 ⇔ 008	5600K	R = 156	G = 207	B = 54	W = 255
		009 ⇔ 010	8000K	R = 130	G = 255	B = 96	W = 255
		011	Azul	R = 0	G = 0	B = 255	W = 0
		012 ⇔ 048	+ verde	R = 0	G = 0-255	B = 255	W = 0
		049	Cyan	R = 0	G = 255	B = 255	W = 0
		050 ⇔ 086	- azul	R = 0	G = 255	B = 255-0	W = 0
		087	Verde	R = 0	G = 255	B = 0	W = 0
		088 ⇔ 124	+ rojo	R = 0-255	G = 255	B = 0	W = 0
		125	Amarillo	R = 255	G = 255	B = 0	W = 0
		126 ⇔ 162	- verde	R = 255	G = 255-0	B = 0	W = 0
		163	Rojo	R = 255	G = 0	B = 0	W = 0
		164 ⇔ 200	+ azul	R = 255	G = 0	B = 0-255	W = 0
		201	Magenta	R = 255	G = 0	B = 255	W = 0
		202 ⇔ 238	- rojo	R = 255-0	G = 0	B = 255	W = 0
		239	Azul	R = 0	G = 0	B = 255	W = 0
		240 ⇔ 247	Cambio de color, rápido a lento				
248 ⇔ 255	Salto de color, rápido a lento						
11	Gobo	000	Sin función				
		001 ⇔ 255	Gobos (indexado)				
12	Macro LED / Programa automático	000 ⇔ 015	Sin función				
		016 ⇔ 135	Macros LED				
		136 ⇔ 255	Programas automáticos				
13	Velocidad Macro LED / Programa automático	000 ⇔ 127	Rápido a lento sentido horario				
		128	Mantener				
		129 ⇔ 255	Lento a rápido, sentido antihorario				
14	Retardo LED integrado	000 ⇔ 255	Rápido a lento				
15	Color de fondo	000	Sin función				
		001 ⇔ 002	2700K	R = 156	G = 118	B = 0	W = 63
		003 ⇔ 004	3200K	R = 156	G = 141	B = 5	W = 89
		005 ⇔ 006	4200K	R = 156	G = 141	B = 14	W = 255
		007 ⇔ 008	5600K	R = 156	G = 207	B = 54	W = 255
		009 ⇔ 010	8000K	R = 130	G = 255	B = 96	W = 255
		011	Azul	R = 0	G = 0	B = 255	W = 0
		012 ⇔ 048	+ verde	R = 0	G = 0-255	B = 255	W = 0
		049	Cyan	R = 0	G = 255	B = 255	W = 0
		050 ⇔ 086	- azul	R = 0	G = 255	B = 255-0	W = 0
		087	Verde	R = 0	G = 255	B = 0	W = 0
		088 ⇔ 124	+ rojo	R = 0-255	G = 255	B = 0	W = 0
		125	Amarillo	R = 255	G = 255	B = 0	W = 0
		126 ⇔ 162	- verde	R = 255	G = 255-0	B = 0	W = 0
		163	Rojo	R = 255	G = 0	B = 0	W = 0
		164 ⇔ 200	+ azul	R = 255	G = 0	B = 0-255	W = 0
		201	Magenta	R = 255	G = 0	B = 255	W = 0
		202 ⇔ 238	- rojo	R = 255-0	G = 0	B = 255	W = 0
		239	Azul	R = 0	G = 0	B = 255	W = 0
		240 ⇔ 247	Cambio de color, rápido a lento				
248 ⇔ 255	Salto de color, rápido a lento						
16	Atenuador fondo	000 ⇔ 255	0-100%				
17	Atenuador del anillo	000 ⇔ 255	0-100%				
18	Atenuador del haz	000 ⇔ 255	0-100%				

Canal	Función	Valor	Porcentaje/Configuración
19	Obturador del anillo	000 ⇔ 019	Apagado
		020 ⇔ 024	Encendido
		025 ⇔ 069	Estroboscopio, rápido a lento
		070 ⇔ 089	Estroboscopio 100–0%, rápido a lento
		090 ⇔ 109	Estroboscopio 0–100%, rápido a lento
		110 ⇔ 129	Estroboscopio aleatorio, rápido a lento
		130 ⇔ 149	Estroboscopio aleatorio 100–0%, rápido a lento
		150 ⇔ 169	Estroboscopio aleatorio 0–100%, rápido a lento
		170 ⇔ 189	Estroboscopio pulso, rápido a lento
		190 ⇔ 209	Estroboscopio pulso aleatorio, rápido a lento
		210 ⇔ 229	Estroboscopio 0–100–0%, rápido a lento
		230 ⇔ 244	Estroboscopio pulso aleatorio, rápido a lento
		245 ⇔ 255	Encendido
20	Obturador del haz	000 ⇔ 019	Apagado
		020 ⇔ 024	Encendido
		025 ⇔ 069	Estroboscopio, rápido a lento
		070 ⇔ 089	Estroboscopio 100–0%, rápido a lento
		090 ⇔ 109	Estroboscopio 0–100%, rápido a lento
		110 ⇔ 129	Estroboscopio aleatorio, rápido a lento
		130 ⇔ 149	Estroboscopio aleatorio 100–0%, rápido a lento
		150 ⇔ 169	Estroboscopio aleatorio 0–100%, rápido a lento
		170 ⇔ 189	Estroboscopio pulso, rápido a lento
		190 ⇔ 209	Estroboscopio pulso aleatorio, rápido a lento
		210 ⇔ 229	Estroboscopio 0–100–0%, rápido a lento
		230 ⇔ 244	Estroboscopio pulso aleatorio, rápido a lento
		245 ⇔ 255	Encendido
21	Zoom	000 ⇔ 255	Ancho a estrecho
22	Control	000 ⇔ 009	Sin función
		010 ⇔ 014	Blackout panorámica/inclinación
		015 ⇔ 019	Reservado para usos futuros
		020 ⇔ 024	Modo de mezcla de color RGBW (adición)
		025 ⇔ 029	Modo de mezcla de color CMY (sustracción)
		030 ⇔ 049	Reservado para usos futuros
		050 ⇔ 054	Reiniciar movimiento panorámico
		055 ⇔ 059	Reiniciar inclinación
		060 ⇔ 064	Restablecer zoom
		065 ⇔ 069	Reservado para usos futuros
		070 ⇔ 074	Reiniciar todo
		075 ⇔ 109	Reservado para usos futuros
		110 ⇔ 114	Velocidad alta panorámica/Inclinación
		115 ⇔ 119	Velocidad baja panorámica/Inclinación
		120 ⇔ 124	Modo de ventilador lento
		125 ⇔ 129	Modo de ventilador al máximo
		130 ⇔ 134	Modo de ventilador automático
135 ⇔ 139	Modo de atenuador rápido		
140 ⇔ 144	Modo de atenuador lento		
145 ⇔ 255	Reservado para usos futuros		
23	Rojo principal	000 ⇔ 255	Modo RGBW: 0–100% / Modo CMY: 100–0%
24	Verde principal	000 ⇔ 255	Modo RGBW: 0–100% / Modo CMY: 100–0%
25	Azul principal	000 ⇔ 255	Modo RGBW: 0–100% / Modo CMY: 100–0%
26	Blanco principal	000 ⇔ 255	Modo RGBW: 0–100% / Modo CMY: 100–0%
27	Rojo 1	000 ⇔ 255	Modo RGBW: 0–100% / Modo CMY: 100–0%
28	Verde 1	000 ⇔ 255	Modo RGBW: 0–100% / Modo CMY: 100–0%
29	Azul 1	000 ⇔ 255	Modo RGBW: 0–100% / Modo CMY: 100–0%
30	Blanco 1	000 ⇔ 255	Modo RGBW: 0–100% / Modo CMY: 100–0%

Canal	Función	Valor	Porcentaje/Configuración
31	Rojo 2	000 ⇔ 255	Modo RGBW: 0–100% / Modo CMY: 100–0%
32	Verde 2	000 ⇔ 255	Modo RGBW: 0–100% / Modo CMY: 100–0%
33	Azul 2	000 ⇔ 255	Modo RGBW: 0–100% / Modo CMY: 100–0%
34	Blanco 2	000 ⇔ 255	Modo RGBW: 0–100% / Modo CMY: 100–0%
35	Rojo 3	000 ⇔ 255	Modo RGBW: 0–100% / Modo CMY: 100–0%
36	Verde 3	000 ⇔ 255	Modo RGBW: 0–100% / Modo CMY: 100–0%
37	Azul 3	000 ⇔ 255	Modo RGBW: 0–100% / Modo CMY: 100–0%
38	Blanco 3	000 ⇔ 255	Modo RGBW: 0–100% / Modo CMY: 100–0%
39	Rojo 4	000 ⇔ 255	Modo RGBW: 0–100% / Modo CMY: 100–0%
40	Verde 4	000 ⇔ 255	Modo RGBW: 0–100% / Modo CMY: 100–0%
41	Azul 4	000 ⇔ 255	Modo RGBW: 0–100% / Modo CMY: 100–0%
42	Blanco 4	000 ⇔ 255	Modo RGBW: 0–100% / Modo CMY: 100–0%
43	Rojo 5	000 ⇔ 255	Modo RGBW: 0–100% / Modo CMY: 100–0%
44	Verde 5	000 ⇔ 255	Modo RGBW: 0–100% / Modo CMY: 100–0%
45	Azul 5	000 ⇔ 255	Modo RGBW: 0–100% / Modo CMY: 100–0%
46	Blanco 5	000 ⇔ 255	Modo RGBW: 0–100% / Modo CMY: 100–0%
47	Rojo 6	000 ⇔ 255	Modo RGBW: 0–100% / Modo CMY: 100–0%
48	Verde 6	000 ⇔ 255	Modo RGBW: 0–100% / Modo CMY: 100–0%
49	Azul 6	000 ⇔ 255	Modo RGBW: 0–100% / Modo CMY: 100–0%
50	Blanco 6	000 ⇔ 255	Modo RGBW: 0–100% / Modo CMY: 100–0%
51	Rojo 7	000 ⇔ 255	Modo RGBW: 0–100% / Modo CMY: 100–0%
52	Verde 7	000 ⇔ 255	Modo RGBW: 0–100% / Modo CMY: 100–0%
53	Azul 7	000 ⇔ 255	Modo RGBW: 0–100% / Modo CMY: 100–0%
54	Blanco 7	000 ⇔ 255	Modo RGBW: 0–100% / Modo CMY: 100–0%
55	Rojo 8	000 ⇔ 255	Modo RGBW: 0–100% / Modo CMY: 100–0%
56	Verde 8	000 ⇔ 255	Modo RGBW: 0–100% / Modo CMY: 100–0%
57	Azul 8	000 ⇔ 255	Modo RGBW: 0–100% / Modo CMY: 100–0%
58	Blanco 8	000 ⇔ 255	Modo RGBW: 0–100% / Modo CMY: 100–0%
59	Rojo 9	000 ⇔ 255	Modo RGBW: 0–100% / Modo CMY: 100–0%
60	Verde 9	000 ⇔ 255	Modo RGBW: 0–100% / Modo CMY: 100–0%
61	Azul 9	000 ⇔ 255	Modo RGBW: 0–100% / Modo CMY: 100–0%
62	Blanco 9	000 ⇔ 255	Modo RGBW: 0–100% / Modo CMY: 100–0%
63	Rojo 10	000 ⇔ 255	Modo RGBW: 0–100% / Modo CMY: 100–0%
64	Verde 10	000 ⇔ 255	Modo RGBW: 0–100% / Modo CMY: 100–0%
65	Azul 10	000 ⇔ 255	Modo RGBW: 0–100% / Modo CMY: 100–0%
66	Blanco 10	000 ⇔ 255	Modo RGBW: 0–100% / Modo CMY: 100–0%

“Single Control”: Modo “Basic” (26Ch)

Canal	Función	Valor	Porcentaje/Configuración
1	Movimiento panorámico	000 ⇔ 255	0–100%
2	Movimiento panorámico fino	000 ⇔ 255	0–100%
3	Inclinación	000 ⇔ 255	0–100%
4	Inclinación fino	000 ⇔ 255	0–100%
5	Movimiento panorámico continua	000	Sin función
		001 ⇔ 127	Movimiento panorámico continua, rápido a lento
		128	Sin función
		129 ⇔ 255	Movimiento panorámico continua inverso, lento a rápido
6	Inclinación continua	000	Sin función
		001 ⇔ 127	Inclinación continua, rápido a lento
		128	Sin función
		129 ⇔ 255	Inclinación continua inverso, lento a rápido
7	Velocidad de movimiento panorámico / inclinación	000 ⇔ 255	Rápido a lento
8	CTC	000	Sin función
		001 ⇔ 255	Temperature de color, 2800–10000 K
9	Color del anillo	000	Sin función
		001 ⇔ 002	2700K R = 156 G = 118 B = 0 W = 63
		003 ⇔ 004	3200K R = 156 G = 141 B = 5 W = 89
		005 ⇔ 006	4200K R = 156 G = 141 B = 14 W = 255
		007 ⇔ 008	5600K R = 156 G = 207 B = 54 W = 255
		009 ⇔ 010	8000K R = 130 G = 255 B = 96 W = 255
		011	Azul R = 0 G = 0 B = 255 W = 0
		012 ⇔ 048	+ verde R = 0 G = 0–255 B = 255 W = 0
		049	Cyan R = 0 G = 255 B = 255 W = 0
		050 ⇔ 086	- azul R = 0 G = 255 B = 255–0 W = 0
		087	Verde R = 0 G = 255 B = 0 W = 0
		088 ⇔ 124	+ rojo R = 0–255 G = 255 B = 0 W = 0
		125	Amarillo R = 255 G = 255 B = 0 W = 0
		126 ⇔ 162	- verde R = 255 G = 255–0 B = 0 W = 0
		163	Rojo R = 255 G = 0 B = 0 W = 0
		164 ⇔ 200	+ azul R = 255 G = 0 B = 0–255 W = 0
		201	Magenta R = 255 G = 0 B = 255 W = 0
		202 ⇔ 238	- rojo R = 255–0 G = 0 B = 255 W = 0
		239	Azul R = 0 G = 0 B = 255 W = 0
		240 ⇔ 247	Cambio de color, rápido a lento
248 ⇔ 255	Salto de color, rápido a lento		

Canal	Función	Valor	Porcentaje/Configuración				
10	Color del haz	000	Sin función				
		001 ⇔ 002	2700K	R = 156	G = 118	B = 0	W = 63
		003 ⇔ 004	3200K	R = 156	G = 141	B = 5	W = 89
		005 ⇔ 006	4200K	R = 156	G = 141	B = 14	W = 255
		007 ⇔ 008	5600K	R = 156	G = 207	B = 54	W = 255
		009 ⇔ 010	8000K	R = 130	G = 255	B = 96	W = 255
		011	Azul	R = 0	G = 0	B = 255	W = 0
		012 ⇔ 048	+ verde	R = 0	G = 0-255	B = 255	W = 0
		049	Cyan	R = 0	G = 255	B = 255	W = 0
		050 ⇔ 086	- azul	R = 0	G = 255	B = 255-0	W = 0
		087	Verde	R = 0	G = 255	B = 0	W = 0
		088 ⇔ 124	+ rojo	R = 0-255	G = 255	B = 0	W = 0
		125	Amarillo	R = 255	G = 255	B = 0	W = 0
		126 ⇔ 162	- verde	R = 255	G = 255-0	B = 0	W = 0
		163	Rojo	R = 255	G = 0	B = 0	W = 0
		164 ⇔ 200	+ azul	R = 255	G = 0	B = 0-255	W = 0
		201	Magenta	R = 255	G = 0	B = 255	W = 0
		202 ⇔ 238	- rojo	R = 255-0	G = 0	B = 255	W = 0
		239	Azul	R = 0	G = 0	B = 255	W = 0
		240 ⇔ 247	Cambio de color, rápido a lento				
248 ⇔ 255	Salto de color, rápido a lento						
11	Gobo	000	Sin función				
		001 ⇔ 255	Gobos (indexado)				
12	Macro LED / Programa automático	000 ⇔ 015	Sin función				
		016 ⇔ 135	Macros LED				
		136 ⇔ 255	Programas automáticos				
13	Velocidad Macro LED / Programa automático	000 ⇔ 127	Rápido a lento sentido horario				
		128	Mantener				
		129 ⇔ 255	Lento a rápido, sentido antihorario				
14	Retardo LED integrado	000 ⇔ 255	Rápido a lento				
15	Color de fondo	000	Sin función				
		001 ⇔ 002	2700K	R = 156	G = 118	B = 0	W = 63
		003 ⇔ 004	3200K	R = 156	G = 141	B = 5	W = 89
		005 ⇔ 006	4200K	R = 156	G = 141	B = 14	W = 255
		007 ⇔ 008	5600K	R = 156	G = 207	B = 54	W = 255
		009 ⇔ 010	8000K	R = 130	G = 255	B = 96	W = 255
		011	Azul	R = 0	G = 0	B = 255	W = 0
		012 ⇔ 048	+ verde	R = 0	G = 0-255	B = 255	W = 0
		049	Cyan	R = 0	G = 255	B = 255	W = 0
		050 ⇔ 086	- azul	R = 0	G = 255	B = 255-0	W = 0
		087	Verde	R = 0	G = 255	B = 0	W = 0
		088 ⇔ 124	+ rojo	R = 0-255	G = 255	B = 0	W = 0
		125	Amarillo	R = 255	G = 255	B = 0	W = 0
		126 ⇔ 162	- verde	R = 255	G = 255-0	B = 0	W = 0
		163	Rojo	R = 255	G = 0	B = 0	W = 0
		164 ⇔ 200	+ azul	R = 255	G = 0	B = 0-255	W = 0
		201	Magenta	R = 255	G = 0	B = 255	W = 0
		202 ⇔ 238	- rojo	R = 255-0	G = 0	B = 255	W = 0
		239	Azul	R = 0	G = 0	B = 255	W = 0
		240 ⇔ 247	Cambio de color, rápido a lento				
248 ⇔ 255	Salto de color, rápido a lento						
16	Atenuador fondo	000 ⇔ 255	0-100%				
17	Atenuador del anillo	000 ⇔ 255	0-100%				
18	Atenuador del haz	000 ⇔ 255	0-100%				

Canal	Función	Valor	Porcentaje/Configuración
19	Obturador del anillo	000 ⇄ 019	Apagado
		020 ⇄ 024	Encendido
		025 ⇄ 069	Estroboscopio, rápido a lento
		070 ⇄ 089	Estroboscopio 100–0%, rápido a lento
		090 ⇄ 109	Estroboscopio 0–100%, rápido a lento
		110 ⇄ 129	Estroboscopio aleatorio, rápido a lento
		130 ⇄ 149	Estroboscopio aleatorio 100–0%, rápido a lento
		150 ⇄ 169	Estroboscopio aleatorio 0–100%, rápido a lento
		170 ⇄ 189	Estroboscopio pulso, rápido a lento
		190 ⇄ 209	Estroboscopio pulso aleatorio, rápido a lento
		210 ⇄ 229	Estroboscopio 0–100–0%, rápido a lento
		230 ⇄ 244	Estroboscopio pulso aleatorio, rápido a lento
		245 ⇄ 255	Encendido
20	Obturador del haz	000 ⇄ 019	Apagado
		020 ⇄ 024	Encendido
		025 ⇄ 069	Estroboscopio, rápido a lento
		070 ⇄ 089	Estroboscopio 100–0%, rápido a lento
		090 ⇄ 109	Estroboscopio 0–100%, rápido a lento
		110 ⇄ 129	Estroboscopio aleatorio, rápido a lento
		130 ⇄ 149	Estroboscopio aleatorio 100–0%, rápido a lento
		150 ⇄ 169	Estroboscopio aleatorio 0–100%, rápido a lento
		170 ⇄ 189	Estroboscopio pulso, rápido a lento
		190 ⇄ 209	Estroboscopio pulso aleatorio, rápido a lento
		210 ⇄ 229	Estroboscopio 0–100–0%, rápido a lento
		230 ⇄ 244	Estroboscopio pulso aleatorio, rápido a lento
		245 ⇄ 255	Encendido
21	Zoom	000 ⇄ 255	Ancho a estrecho
22	Control	000 ⇄ 009	Sin función
		010 ⇄ 014	Blackout panorámica/inclinación
		015 ⇄ 019	Reservado para usos futuros
		020 ⇄ 024	Modo de mezcla de color RGBW (adición)
		025 ⇄ 029	Modo de mezcla de color CMY (sustracción)
		030 ⇄ 049	Reservado para usos futuros
		050 ⇄ 054	Reiniciar movimiento panorámico
		055 ⇄ 059	Reiniciar inclinación
		060 ⇄ 064	Restablecer zoom
		065 ⇄ 069	Reservado para usos futuros
		070 ⇄ 074	Reiniciar todo
		075 ⇄ 109	Reservado para usos futuros
		110 ⇄ 114	Velocidad alta panorámica/Inclinación
		115 ⇄ 119	Velocidad baja panorámica/Inclinación
		120 ⇄ 124	Modo de ventilador lento
		125 ⇄ 129	Modo de ventilador al máximo
		130 ⇄ 134	Modo de ventilador automático
135 ⇄ 139	Modo de atenuador rápido		
140 ⇄ 144	Modo de atenuador lento		
145 ⇄ 255	Reservado para usos futuros		
23	Rojo principal	000 ⇄ 255	0–100%
24	Verde principal	000 ⇄ 255	0–100%
25	Azul principal	000 ⇄ 255	0–100%
26	Blanco principal	000 ⇄ 255	0–100%

Valores “Dual Control” (Movement)

“Dual Control”: Modo “Advanced Movement” (41Ch)

Canal	Función	Valor	Porcentaje/Configuración
1	Movimiento panorámico	000 ⇔ 255	0–100%
2	Movimiento panorámico fino	000 ⇔ 255	0–100%
3	Inclinación	000 ⇔ 255	0–100%
4	Inclinación fino	000 ⇔ 255	0–100%
5	Movimiento panorámico continua	000	Sin función
		001 ⇔ 127	Movimiento panorámico continua, rápido a lento
		128	Sin función
6	Inclinación continua	129 ⇔ 255	Movimiento panorámico continua inverso, lento a rápido
		000	Sin función
		001 ⇔ 127	Inclinación continua, rápido a lento
7	Velocidad de movimiento panorámico / inclinación	128	Sin función
		129 ⇔ 255	Inclinación continua inverso, lento a rápido
		000 ⇔ 255	Rápido a lento
8	CTC	000	Sin función
		001 ⇔ 255	Temperature de color, 2800–10000 K
9	Color del anillo	000	Sin función
		001 ⇔ 002	2700K R = 156 G = 118 B = 0 W = 63
		003 ⇔ 004	3200K R = 156 G = 141 B = 5 W = 89
		005 ⇔ 006	4200K R = 156 G = 141 B = 14 W = 255
		007 ⇔ 008	5600K R = 156 G = 207 B = 54 W = 255
		009 ⇔ 010	8000K R = 130 G = 255 B = 96 W = 255
		011	Azul R = 0 G = 0 B = 255 W = 0
		012 ⇔ 048	+ verde R = 0 G = 0–255 B = 255 W = 0
		049	Cyan R = 0 G = 255 B = 255 W = 0
		050 ⇔ 086	- azul R = 0 G = 255 B = 255–0 W = 0
		087	Verde R = 0 G = 255 B = 0 W = 0
		088 ⇔ 124	+ rojo R = 0–255 G = 255 B = 0 W = 0
		125	Amarillo R = 255 G = 255 B = 0 W = 0
		126 ⇔ 162	- verde R = 255 G = 255–0 B = 0 W = 0
		163	Rojo R = 255 G = 0 B = 0 W = 0
		164 ⇔ 200	+ azul R = 255 G = 0 B = 0–255 W = 0
		201	Magenta R = 255 G = 0 B = 255 W = 0
		202 ⇔ 238	- rojo R = 255–0 G = 0 B = 255 W = 0
		239	Azul R = 0 G = 0 B = 255 W = 0
		240 ⇔ 247	Cambio de color, rápido a lento
248 ⇔ 255	Salto de color, rápido a lento		

Canal	Función	Valor	Porcentaje/Configuración				
10	Color del haz	000	Sin función				
		001 ⇔ 002	2700K	R = 156	G = 118	B = 0	W = 63
		003 ⇔ 004	3200K	R = 156	G = 141	B = 5	W = 89
		005 ⇔ 006	4200K	R = 156	G = 141	B = 14	W = 255
		007 ⇔ 008	5600K	R = 156	G = 207	B = 54	W = 255
		009 ⇔ 010	8000K	R = 130	G = 255	B = 96	W = 255
		011	Azul	R = 0	G = 0	B = 255	W = 0
		012 ⇔ 048	+ verde	R = 0	G = 0-255	B = 255	W = 0
		049	Cyan	R = 0	G = 255	B = 255	W = 0
		050 ⇔ 086	- azul	R = 0	G = 255	B = 255-0	W = 0
		087	Verde	R = 0	G = 255	B = 0	W = 0
		088 ⇔ 124	+ rojo	R = 0-255	G = 255	B = 0	W = 0
		125	Amarillo	R = 255	G = 255	B = 0	W = 0
		126 ⇔ 162	- verde	R = 255	G = 255-0	B = 0	W = 0
		163	Rojo	R = 255	G = 0	B = 0	W = 0
		164 ⇔ 200	+ azul	R = 255	G = 0	B = 0-255	W = 0
		201	Magenta	R = 255	G = 0	B = 255	W = 0
		202 ⇔ 238	- rojo	R = 255-0	G = 0	B = 255	W = 0
		239	Azul	R = 0	G = 0	B = 255	W = 0
		240 ⇔ 247	Cambio de color, rápido a lento				
248 ⇔ 255	Salto de color, rápido a lento						
11	Gobo	000	Sin función				
		001 ⇔ 255	Gobos (indexado)				
12	Macro LED / Programa automático	000 ⇔ 015	Sin función				
		016 ⇔ 135	Macros LED				
		136 ⇔ 255	Programas automáticos				
13	Velocidad Macro LED / Programa automático	000 ⇔ 127	Rápido a lento sentido horario				
		128	Mantener				
		129 ⇔ 255	Lento a rápido, sentido antihorario				
14	Retardo LED integrado	000 ⇔ 255	Rápido a lento				
15	Color de fondo	000	Sin función				
		001 ⇔ 002	2700K	R = 156	G = 118	B = 0	W = 63
		003 ⇔ 004	3200K	R = 156	G = 141	B = 5	W = 89
		005 ⇔ 006	4200K	R = 156	G = 141	B = 14	W = 255
		007 ⇔ 008	5600K	R = 156	G = 207	B = 54	W = 255
		009 ⇔ 010	8000K	R = 130	G = 255	B = 96	W = 255
		011	Azul	R = 0	G = 0	B = 255	W = 0
		012 ⇔ 048	+ verde	R = 0	G = 0-255	B = 255	W = 0
		049	Cyan	R = 0	G = 255	B = 255	W = 0
		050 ⇔ 086	- azul	R = 0	G = 255	B = 255-0	W = 0
		087	Verde	R = 0	G = 255	B = 0	W = 0
		088 ⇔ 124	+ rojo	R = 0-255	G = 255	B = 0	W = 0
		125	Amarillo	R = 255	G = 255	B = 0	W = 0
		126 ⇔ 162	- verde	R = 255	G = 255-0	B = 0	W = 0
		163	Rojo	R = 255	G = 0	B = 0	W = 0
		164 ⇔ 200	+ azul	R = 255	G = 0	B = 0-255	W = 0
		201	Magenta	R = 255	G = 0	B = 255	W = 0
		202 ⇔ 238	- rojo	R = 255-0	G = 0	B = 255	W = 0
		239	Azul	R = 0	G = 0	B = 255	W = 0
		240 ⇔ 247	Cambio de color, rápido a lento				
248 ⇔ 255	Salto de color, rápido a lento						
16	Atenuador fondo	000 ⇔ 255	0-100%				
17	Atenuador fondo fino	000 ⇔ 255	0-100%				
18	Atenuador del anillo	000 ⇔ 255	0-100%				
19	Atenuador del anillo fino	000 ⇔ 255	0-100%				

Canal	Función	Valor	Porcentaje/Configuración
20	Atenuador del haz	000 ⇔ 255	0–100%
21	Atenuador del haz fino	000 ⇔ 255	0–100%
22	Obturador del anillo	000 ⇔ 019	Apagado
		020 ⇔ 024	Encendido
		025 ⇔ 069	Estroboscopio, rápido a lento
		070 ⇔ 089	Estroboscopio 100–0%, rápido a lento
		090 ⇔ 109	Estroboscopio 0–100%, rápido a lento
		110 ⇔ 129	Estroboscopio aleatorio, rápido a lento
		130 ⇔ 149	Estroboscopio aleatorio 100–0%, rápido a lento
		150 ⇔ 169	Estroboscopio aleatorio 0–100%, rápido a lento
		170 ⇔ 189	Estroboscopio pulso, rápido a lento
		190 ⇔ 209	Estroboscopio pulso aleatorio, rápido a lento
		210 ⇔ 229	Estroboscopio 0–100–0%, rápido a lento
		230 ⇔ 244	Estroboscopio pulso aleatorio, rápido a lento
245 ⇔ 255	Encendido		
23	Obturador del haz	000 ⇔ 019	Apagado
		020 ⇔ 024	Encendido
		025 ⇔ 069	Estroboscopio, rápido a lento
		070 ⇔ 089	Estroboscopio 100–0%, rápido a lento
		090 ⇔ 109	Estroboscopio 0–100%, rápido a lento
		110 ⇔ 129	Estroboscopio aleatorio, rápido a lento
		130 ⇔ 149	Estroboscopio aleatorio 100–0%, rápido a lento
		150 ⇔ 169	Estroboscopio aleatorio 0–100%, rápido a lento
		170 ⇔ 189	Estroboscopio pulso, rápido a lento
		190 ⇔ 209	Estroboscopio pulso aleatorio, rápido a lento
		210 ⇔ 229	Estroboscopio 0–100–0%, rápido a lento
		230 ⇔ 244	Estroboscopio pulso aleatorio, rápido a lento
245 ⇔ 255	Encendido		
24	Zoom	000 ⇔ 255	Ancho a estrecho
25	Control	000 ⇔ 009	Sin función
		010 ⇔ 014	Blackout panorámica/inclinación
		015 ⇔ 019	Reservado para usos futuros
		020 ⇔ 024	Modo de mezcla de color RGBW (adición)
		025 ⇔ 029	Modo de mezcla de color CMY (sustracción)
		030 ⇔ 049	Reservado para usos futuros
		050 ⇔ 054	Reiniciar movimiento panorámico
		055 ⇔ 059	Reiniciar inclinación
		060 ⇔ 064	Restablecer zoom
		065 ⇔ 069	Reservado para usos futuros
		070 ⇔ 074	Reiniciar todo
		075 ⇔ 109	Reservado para usos futuros
		110 ⇔ 114	Velocidad alta panorámica/Inclinación
		115 ⇔ 119	Velocidad baja panorámica/Inclinación
		120 ⇔ 124	Modo de ventilador lento
		125 ⇔ 129	Modo de ventilador al máximo
		130 ⇔ 134	Modo de ventilador automático
		135 ⇔ 139	Modo de atenuador rápido
140 ⇔ 144	Modo de atenuador lento		
145 ⇔ 255	Reservado para usos futuros		
26	Anillo rojo	000 ⇔ 255	Modo RGBW: 0–100% / Modo CMY: 100–0%
27	Anillo rojo fino	000 ⇔ 255	Modo RGBW: 0–100% / Modo CMY: 100–0%
28	Haz rojo	000 ⇔ 255	Modo RGBW: 0–100% / Modo CMY: 100–0%
29	Haz rojo fino	000 ⇔ 255	Modo RGBW: 0–100% / Modo CMY: 100–0%
30	Anillo verde	000 ⇔ 255	Modo RGBW: 0–100% / Modo CMY: 100–0%
31	Anillo verde fino	000 ⇔ 255	Modo RGBW: 0–100% / Modo CMY: 100–0%

Canal	Función	Valor	Porcentaje/Configuración
32	Haz verde	000 ⇔ 255	Modo RGBW: 0–100% / Modo CMY: 100–0%
33	Haz verde fino	000 ⇔ 255	Modo RGBW: 0–100% / Modo CMY: 100–0%
34	Anillo azul	000 ⇔ 255	Modo RGBW: 0–100% / Modo CMY: 100–0%
35	Anillo azul fino	000 ⇔ 255	Modo RGBW: 0–100% / Modo CMY: 100–0%
36	Haz azul	000 ⇔ 255	Modo RGBW: 0–100% / Modo CMY: 100–0%
37	Haz azul fino	000 ⇔ 255	Modo RGBW: 0–100% / Modo CMY: 100–0%
38	Anillo blanco	000 ⇔ 255	Modo RGBW: 0–100% / Modo CMY: 100–0%
39	Anillo blanco fino	000 ⇔ 255	Modo RGBW: 0–100% / Modo CMY: 100–0%
40	Haz blanco	000 ⇔ 255	Modo RGBW: 0–100% / Modo CMY: 100–0%
41	Haz blanco fino	000 ⇔ 255	Modo RGBW: 0–100% / Modo CMY: 100–0%

“Dual Control”: Modo “Standard Movement” (30Ch)

Canal	Función	Valor	Porcentaje/Configuración
1	Movimiento panorámico	000 ⇔ 255	0–100%
2	Movimiento panorámico fino	000 ⇔ 255	0–100%
3	Inclinación	000 ⇔ 255	0–100%
4	Inclinación fino	000 ⇔ 255	0–100%
5	Movimiento panorámico continua	000	Sin función
		001 ⇔ 127 128	Movimiento panorámico continua, rápido a lento Sin función
		129 ⇔ 255	Movimiento panorámico continua inverso, lento a rápido
6	Inclinación continua	000	Sin función
		001 ⇔ 127 128	Inclinación continua, rápido a lento Sin función
		129 ⇔ 255	Inclinación continua inverso, lento a rápido
7	Velocidad de movimiento panorámico / inclinación	000 ⇔ 255	Rápido a lento
8	CTC	000	Sin función
		001 ⇔ 255	Temperature de color, 2800–10000 K
9	Color del anillo	000	Sin función
		001 ⇔ 002	2700K R = 156 G = 118 B = 0 W = 63
		003 ⇔ 004	3200K R = 156 G = 141 B = 5 W = 89
		005 ⇔ 006	4200K R = 156 G = 141 B = 14 W = 255
		007 ⇔ 008	5600K R = 156 G = 207 B = 54 W = 255
		009 ⇔ 010	8000K R = 130 G = 255 B = 96 W = 255
		011	Azul R = 0 G = 0 B = 255 W = 0
		012 ⇔ 048	+ verde R = 0 G = 0–255 B = 255 W = 0
		049	Cyan R = 0 G = 255 B = 255 W = 0
		050 ⇔ 086	- azul R = 0 G = 255 B = 255–0 W = 0
		087	Verde R = 0 G = 255 B = 0 W = 0
		088 ⇔ 124	+ rojo R = 0–255 G = 255 B = 0 W = 0
		125	Amarillo R = 255 G = 255 B = 0 W = 0
		126 ⇔ 162	- verde R = 255 G = 255–0 B = 0 W = 0
		163	Rojo R = 255 G = 0 B = 0 W = 0
		164 ⇔ 200	+ azul R = 255 G = 0 B = 0–255 W = 0
		201	Magenta R = 255 G = 0 B = 255 W = 0
202 ⇔ 238	- rojo R = 255–0 G = 0 B = 255 W = 0		
239	Azul R = 0 G = 0 B = 255 W = 0		
240 ⇔ 247	Cambio de color, rápido a lento		
248 ⇔ 255	Salto de color, rápido a lento		

Canal	Función	Valor	Porcentaje/Configuración				
10	Color del haz	000	Sin función				
		001 ⇔ 002	2700K	R = 156	G = 118	B = 0	W = 63
		003 ⇔ 004	3200K	R = 156	G = 141	B = 5	W = 89
		005 ⇔ 006	4200K	R = 156	G = 141	B = 14	W = 255
		007 ⇔ 008	5600K	R = 156	G = 207	B = 54	W = 255
		009 ⇔ 010	8000K	R = 130	G = 255	B = 96	W = 255
		011	Azul	R = 0	G = 0	B = 255	W = 0
		012 ⇔ 048	+ verde	R = 0	G = 0-255	B = 255	W = 0
		049	Cyan	R = 0	G = 255	B = 255	W = 0
		050 ⇔ 086	- azul	R = 0	G = 255	B = 255-0	W = 0
		087	Verde	R = 0	G = 255	B = 0	W = 0
		088 ⇔ 124	+ rojo	R = 0-255	G = 255	B = 0	W = 0
		125	Amarillo	R = 255	G = 255	B = 0	W = 0
		126 ⇔ 162	- verde	R = 255	G = 255-0	B = 0	W = 0
		163	Rojo	R = 255	G = 0	B = 0	W = 0
		164 ⇔ 200	+ azul	R = 255	G = 0	B = 0-255	W = 0
		201	Magenta	R = 255	G = 0	B = 255	W = 0
		202 ⇔ 238	- rojo	R = 255-0	G = 0	B = 255	W = 0
		239	Azul	R = 0	G = 0	B = 255	W = 0
		240 ⇔ 247	Cambio de color, rápido a lento				
248 ⇔ 255	Salto de color, rápido a lento						
11	Gobo	000	Sin función				
		001 ⇔ 255	Gobos (indexado)				
12	Macro LED / Programa automático	000 ⇔ 015	Sin función				
		016 ⇔ 135	Macros LED				
		136 ⇔ 255	Programas automáticos				
13	Velocidad Macro LED / Programa automático	000 ⇔ 127	Rápido a lento sentido horario				
		128	Mantener				
		129 ⇔ 255	Lento a rápido, sentido antihorario				
14	Retardo LED integrado	000 ⇔ 255	Rápido a lento				
15	Color de fondo	000	Sin función				
		001 ⇔ 002	2700K	R = 156	G = 118	B = 0	W = 63
		003 ⇔ 004	3200K	R = 156	G = 141	B = 5	W = 89
		005 ⇔ 006	4200K	R = 156	G = 141	B = 14	W = 255
		007 ⇔ 008	5600K	R = 156	G = 207	B = 54	W = 255
		009 ⇔ 010	8000K	R = 130	G = 255	B = 96	W = 255
		011	Azul	R = 0	G = 0	B = 255	W = 0
		012 ⇔ 048	+ verde	R = 0	G = 0-255	B = 255	W = 0
		049	Cyan	R = 0	G = 255	B = 255	W = 0
		050 ⇔ 086	- azul	R = 0	G = 255	B = 255-0	W = 0
		087	Verde	R = 0	G = 255	B = 0	W = 0
		088 ⇔ 124	+ rojo	R = 0-255	G = 255	B = 0	W = 0
		125	Amarillo	R = 255	G = 255	B = 0	W = 0
		126 ⇔ 162	- verde	R = 255	G = 255-0	B = 0	W = 0
		163	Rojo	R = 255	G = 0	B = 0	W = 0
		164 ⇔ 200	+ azul	R = 255	G = 0	B = 0-255	W = 0
		201	Magenta	R = 255	G = 0	B = 255	W = 0
		202 ⇔ 238	- rojo	R = 255-0	G = 0	B = 255	W = 0
		239	Azul	R = 0	G = 0	B = 255	W = 0
		240 ⇔ 247	Cambio de color, rápido a lento				
248 ⇔ 255	Salto de color, rápido a lento						
16	Atenuador fondo	000 ⇔ 255	0-100%				
17	Atenuador del anillo	000 ⇔ 255	0-100%				
18	Atenuador del haz	000 ⇔ 255	0-100%				

Canal	Función	Valor	Porcentaje/Configuración
19	Obturador del anillo	000 ⇔ 019	Apagado
		020 ⇔ 024	Encendido
		025 ⇔ 069	Estroboscopio, rápido a lento
		070 ⇔ 089	Estroboscopio 100–0%, rápido a lento
		090 ⇔ 109	Estroboscopio 0–100%, rápido a lento
		110 ⇔ 129	Estroboscopio aleatorio, rápido a lento
		130 ⇔ 149	Estroboscopio aleatorio 100–0%, rápido a lento
		150 ⇔ 169	Estroboscopio aleatorio 0–100%, rápido a lento
		170 ⇔ 189	Estroboscopio pulso, rápido a lento
		190 ⇔ 209	Estroboscopio pulso aleatorio, rápido a lento
		210 ⇔ 229	Estroboscopio 0–100–0%, rápido a lento
		230 ⇔ 244	Estroboscopio pulso aleatorio, rápido a lento
		245 ⇔ 255	Encendido
20	Obturador del haz	000 ⇔ 019	Apagado
		020 ⇔ 024	Encendido
		025 ⇔ 069	Estroboscopio, rápido a lento
		070 ⇔ 089	Estroboscopio 100–0%, rápido a lento
		090 ⇔ 109	Estroboscopio 0–100%, rápido a lento
		110 ⇔ 129	Estroboscopio aleatorio, rápido a lento
		130 ⇔ 149	Estroboscopio aleatorio 100–0%, rápido a lento
		150 ⇔ 169	Estroboscopio aleatorio 0–100%, rápido a lento
		170 ⇔ 189	Estroboscopio pulso, rápido a lento
		190 ⇔ 209	Estroboscopio pulso aleatorio, rápido a lento
		210 ⇔ 229	Estroboscopio 0–100–0%, rápido a lento
		230 ⇔ 244	Estroboscopio pulso aleatorio, rápido a lento
		245 ⇔ 255	Encendido
21	Zoom	000 ⇔ 255	Ancho a estrecho
22	Control	000 ⇔ 009	Sin función
		010 ⇔ 014	Blackout panorámica/inclinación
		015 ⇔ 019	Reservado para usos futuros
		020 ⇔ 024	Modo de mezcla de color RGBW (adición)
		025 ⇔ 029	Modo de mezcla de color CMY (sustracción)
		030 ⇔ 049	Reservado para usos futuros
		050 ⇔ 054	Reiniciar movimiento panorámico
		055 ⇔ 059	Reiniciar inclinación
		060 ⇔ 064	Restablecer zoom
		065 ⇔ 069	Reservado para usos futuros
		070 ⇔ 074	Reiniciar todo
		075 ⇔ 109	Reservado para usos futuros
		110 ⇔ 114	Velocidad alta panorámica/Inclinación
		115 ⇔ 119	Velocidad baja panorámica/Inclinación
		120 ⇔ 124	Modo de ventilador lento
		125 ⇔ 129	Modo de ventilador al máximo
		130 ⇔ 134	Modo de ventilador automático
135 ⇔ 139	Modo de atenuador rápido		
140 ⇔ 144	Modo de atenuador lento		
145 ⇔ 255	Reservado para usos futuros		
23	Anillo rojo	000 ⇔ 255	Modo RGBW: 0–100% / Modo CMY: 100–0%
24	Haz rojo	000 ⇔ 255	Modo RGBW: 0–100% / Modo CMY: 100–0%
25	Anillo verde	000 ⇔ 255	Modo RGBW: 0–100% / Modo CMY: 100–0%
26	Haz verde	000 ⇔ 255	Modo RGBW: 0–100% / Modo CMY: 100–0%
27	Anillo azul	000 ⇔ 255	Modo RGBW: 0–100% / Modo CMY: 100–0%
28	Haz azul	000 ⇔ 255	Modo RGBW: 0–100% / Modo CMY: 100–0%
29	Anillo blanco	000 ⇔ 255	Modo RGBW: 0–100% / Modo CMY: 100–0%
30	Haz blanco	000 ⇔ 255	Modo RGBW: 0–100% / Modo CMY: 100–0%

“Dual Control”: Modo “Basic Movement” (13Ch)

Canal	Función	Valor	Porcentaje/Configuración
1	Movimiento panorámico	000 ⇔ 255	0–100%
2	Movimiento panorámico fino	000 ⇔ 255	0–100%
3	Inclinación	000 ⇔ 255	0–100%
4	Inclinación fino	000 ⇔ 255	0–100%
5	Movimiento panorámico continua	000	Sin función
		001 ⇔ 127	Movimiento panorámico continua, rápido a lento
		128	Sin función
6	Inclinación continua	129 ⇔ 255	Movimiento panorámico continua inverso, lento a rápido
		000	Sin función
		001 ⇔ 127	Inclinación continua, rápido a lento
7	Velocidad de movimiento panorámico / inclinación	128	Sin función
		129 ⇔ 255	Inclinación continua inverso, lento a rápido
		000 ⇔ 255	Rápido a lento
8	Atenuador del anillo	000 ⇔ 255	0–100%
9	Atenuador del haz	000 ⇔ 255	0–100%
10	Obturador del anillo	000 ⇔ 019	Apagado
		020 ⇔ 024	Encendido
		025 ⇔ 069	Estroboscopio, rápido a lento
		070 ⇔ 089	Estroboscopio 100–0%, rápido a lento
		090 ⇔ 109	Estroboscopio 0–100%, rápido a lento
		110 ⇔ 129	Estroboscopio aleatorio, rápido a lento
		130 ⇔ 149	Estroboscopio aleatorio 100–0%, rápido a lento
		150 ⇔ 169	Estroboscopio aleatorio 0–100%, rápido a lento
		170 ⇔ 189	Estroboscopio pulso, rápido a lento
		190 ⇔ 209	Estroboscopio pulso aleatorio, rápido a lento
		210 ⇔ 229	Estroboscopio 0–100–0%, rápido a lento
		230 ⇔ 244	Estroboscopio pulso aleatorio, rápido a lento
245 ⇔ 255	Encendido		
11	Obturador del haz	000 ⇔ 019	Apagado
		020 ⇔ 024	Encendido
		025 ⇔ 069	Estroboscopio, rápido a lento
		070 ⇔ 089	Estroboscopio 100–0%, rápido a lento
		090 ⇔ 109	Estroboscopio 0–100%, rápido a lento
		110 ⇔ 129	Estroboscopio aleatorio, rápido a lento
		130 ⇔ 149	Estroboscopio aleatorio 100–0%, rápido a lento
		150 ⇔ 169	Estroboscopio aleatorio 0–100%, rápido a lento
		170 ⇔ 189	Estroboscopio pulso, rápido a lento
		190 ⇔ 209	Estroboscopio pulso aleatorio, rápido a lento
		210 ⇔ 229	Estroboscopio 0–100–0%, rápido a lento
		230 ⇔ 244	Estroboscopio pulso aleatorio, rápido a lento
245 ⇔ 255	Encendido		
12	Zoom	000 ⇔ 255	Ancho a estrecho

Canal	Función	Valor	Porcentaje/Configuración
13	Control	000 ⇔ 009	Sin función
		010 ⇔ 014	Blackout panorámica/inclinación
		015 ⇔ 019	Reservado para usos futuros
		020 ⇔ 024	Modo de mezcla de color RGBW (adición)
		025 ⇔ 029	Modo de mezcla de color CMY (sustracción)
		030 ⇔ 049	Reservado para usos futuros
		050 ⇔ 054	Reiniciar movimiento panorámico
		055 ⇔ 059	Reiniciar inclinación
		060 ⇔ 064	Restablecer zoom
		065 ⇔ 069	Reservado para usos futuros
		070 ⇔ 074	Reiniciar todo
		075 ⇔ 109	Reservado para usos futuros
		110 ⇔ 114	Velocidad alta panorámica/Inclinación
		115 ⇔ 119	Velocidad baja panorámica/Inclinación
		120 ⇔ 124	Modo de ventilador lento
		125 ⇔ 129	Modo de ventilador al máximo
		130 ⇔ 134	Modo de ventilador automático
		135 ⇔ 139	Modo de atenuador rápido
140 ⇔ 144	Modo de atenuador lento		
145 ⇔ 255	Reservado para usos futuros		

Valores “Dual Control” (Pixels)

“Dual Control”: Modo “Advanced Pixels” (80Ch)

Canal	Función	Valor	Porcentaje/Configuración
1	Rojo 1	000 ⇄ 255	Modo RGBW: 0–100% / Modo CMY: 100–0%
2	Rojo fino 1	000 ⇄ 255	Modo RGBW: 0–100% / Modo CMY: 100–0%
3	Verde 1	000 ⇄ 255	Modo RGBW: 0–100% / Modo CMY: 100–0%
4	Verde fino 1	000 ⇄ 255	Modo RGBW: 0–100% / Modo CMY: 100–0%
5	Azul 1	000 ⇄ 255	Modo RGBW: 0–100% / Modo CMY: 100–0%
6	Azul fino 1	000 ⇄ 255	Modo RGBW: 0–100% / Modo CMY: 100–0%
7	Blanco 1	000 ⇄ 255	Modo RGBW: 0–100% / Modo CMY: 100–0%
8	Blanco fino 1	000 ⇄ 255	Modo RGBW: 0–100% / Modo CMY: 100–0%
9	Rojo 2	000 ⇄ 255	Modo RGBW: 0–100% / Modo CMY: 100–0%
10	Rojo fino 2	000 ⇄ 255	Modo RGBW: 0–100% / Modo CMY: 100–0%
11	Verde 2	000 ⇄ 255	Modo RGBW: 0–100% / Modo CMY: 100–0%
12	Verde fino 2	000 ⇄ 255	Modo RGBW: 0–100% / Modo CMY: 100–0%
13	Azul 2	000 ⇄ 255	Modo RGBW: 0–100% / Modo CMY: 100–0%
14	Azul fino 2	000 ⇄ 255	Modo RGBW: 0–100% / Modo CMY: 100–0%
15	Blanco 2	000 ⇄ 255	Modo RGBW: 0–100% / Modo CMY: 100–0%
16	Blanco fino 2	000 ⇄ 255	Modo RGBW: 0–100% / Modo CMY: 100–0%
17	Rojo 3	000 ⇄ 255	Modo RGBW: 0–100% / Modo CMY: 100–0%
18	Rojo fino 3	000 ⇄ 255	Modo RGBW: 0–100% / Modo CMY: 100–0%
19	Verde 3	000 ⇄ 255	Modo RGBW: 0–100% / Modo CMY: 100–0%
20	Verde fino 3	000 ⇄ 255	Modo RGBW: 0–100% / Modo CMY: 100–0%
21	Azul 3	000 ⇄ 255	Modo RGBW: 0–100% / Modo CMY: 100–0%
22	Azul fino 3	000 ⇄ 255	Modo RGBW: 0–100% / Modo CMY: 100–0%
23	Blanco 3	000 ⇄ 255	Modo RGBW: 0–100% / Modo CMY: 100–0%
24	Blanco fino 3	000 ⇄ 255	Modo RGBW: 0–100% / Modo CMY: 100–0%
25	Rojo 4	000 ⇄ 255	Modo RGBW: 0–100% / Modo CMY: 100–0%
26	Rojo fino 4	000 ⇄ 255	Modo RGBW: 0–100% / Modo CMY: 100–0%
27	Verde 4	000 ⇄ 255	Modo RGBW: 0–100% / Modo CMY: 100–0%
28	Verde fino 4	000 ⇄ 255	Modo RGBW: 0–100% / Modo CMY: 100–0%
29	Azul 4	000 ⇄ 255	Modo RGBW: 0–100% / Modo CMY: 100–0%
30	Azul fino 4	000 ⇄ 255	Modo RGBW: 0–100% / Modo CMY: 100–0%
31	Blanco 4	000 ⇄ 255	Modo RGBW: 0–100% / Modo CMY: 100–0%
32	Blanco fino 4	000 ⇄ 255	Modo RGBW: 0–100% / Modo CMY: 100–0%
33	Rojo 5	000 ⇄ 255	Modo RGBW: 0–100% / Modo CMY: 100–0%
34	Rojo fino 5	000 ⇄ 255	Modo RGBW: 0–100% / Modo CMY: 100–0%
35	Verde 5	000 ⇄ 255	Modo RGBW: 0–100% / Modo CMY: 100–0%
36	Verde fino 5	000 ⇄ 255	Modo RGBW: 0–100% / Modo CMY: 100–0%
37	Azul 5	000 ⇄ 255	Modo RGBW: 0–100% / Modo CMY: 100–0%
38	Azul fino 5	000 ⇄ 255	Modo RGBW: 0–100% / Modo CMY: 100–0%
39	Blanco 5	000 ⇄ 255	Modo RGBW: 0–100% / Modo CMY: 100–0%
40	Blanco fino 5	000 ⇄ 255	Modo RGBW: 0–100% / Modo CMY: 100–0%
41	Rojo 6	000 ⇄ 255	Modo RGBW: 0–100% / Modo CMY: 100–0%
42	Rojo fino 6	000 ⇄ 255	Modo RGBW: 0–100% / Modo CMY: 100–0%
43	Verde 6	000 ⇄ 255	Modo RGBW: 0–100% / Modo CMY: 100–0%
44	Verde fino 6	000 ⇄ 255	Modo RGBW: 0–100% / Modo CMY: 100–0%
45	Azul 6	000 ⇄ 255	Modo RGBW: 0–100% / Modo CMY: 100–0%
46	Azul fino 6	000 ⇄ 255	Modo RGBW: 0–100% / Modo CMY: 100–0%
47	Blanco 6	000 ⇄ 255	Modo RGBW: 0–100% / Modo CMY: 100–0%
48	Blanco fino 6	000 ⇄ 255	Modo RGBW: 0–100% / Modo CMY: 100–0%
49	Rojo 7	000 ⇄ 255	Modo RGBW: 0–100% / Modo CMY: 100–0%
50	Rojo fino 7	000 ⇄ 255	Modo RGBW: 0–100% / Modo CMY: 100–0%
51	Verde 7	000 ⇄ 255	Modo RGBW: 0–100% / Modo CMY: 100–0%
52	Verde fino 7	000 ⇄ 255	Modo RGBW: 0–100% / Modo CMY: 100–0%

Canal	Función	Valor	Porcentaje/Configuración
53	Azul 7	000 ⇔ 255	Modo RGBW: 0–100% / Modo CMY: 100–0%
54	Azul fino 7	000 ⇔ 255	Modo RGBW: 0–100% / Modo CMY: 100–0%
55	Blanco 7	000 ⇔ 255	Modo RGBW: 0–100% / Modo CMY: 100–0%
56	Blanco fino 7	000 ⇔ 255	Modo RGBW: 0–100% / Modo CMY: 100–0%
57	Rojo 8	000 ⇔ 255	Modo RGBW: 0–100% / Modo CMY: 100–0%
58	Rojo fino 8	000 ⇔ 255	Modo RGBW: 0–100% / Modo CMY: 100–0%
59	Verde 8	000 ⇔ 255	Modo RGBW: 0–100% / Modo CMY: 100–0%
60	Verde fino 8	000 ⇔ 255	Modo RGBW: 0–100% / Modo CMY: 100–0%
61	Azul 8	000 ⇔ 255	Modo RGBW: 0–100% / Modo CMY: 100–0%
62	Azul fino 8	000 ⇔ 255	Modo RGBW: 0–100% / Modo CMY: 100–0%
63	Blanco 8	000 ⇔ 255	Modo RGBW: 0–100% / Modo CMY: 100–0%
64	Blanco fino 8	000 ⇔ 255	Modo RGBW: 0–100% / Modo CMY: 100–0%
65	Rojo 9	000 ⇔ 255	Modo RGBW: 0–100% / Modo CMY: 100–0%
66	Rojo fino 9	000 ⇔ 255	Modo RGBW: 0–100% / Modo CMY: 100–0%
67	Verde 9	000 ⇔ 255	Modo RGBW: 0–100% / Modo CMY: 100–0%
68	Verde fino 9	000 ⇔ 255	Modo RGBW: 0–100% / Modo CMY: 100–0%
69	Azul 9	000 ⇔ 255	Modo RGBW: 0–100% / Modo CMY: 100–0%
70	Azul fino 9	000 ⇔ 255	Modo RGBW: 0–100% / Modo CMY: 100–0%
71	Blanco 9	000 ⇔ 255	Modo RGBW: 0–100% / Modo CMY: 100–0%
72	Blanco fino 9	000 ⇔ 255	Modo RGBW: 0–100% / Modo CMY: 100–0%
73	Rojo 10	000 ⇔ 255	Modo RGBW: 0–100% / Modo CMY: 100–0%
74	Rojo fino 10	000 ⇔ 255	Modo RGBW: 0–100% / Modo CMY: 100–0%
75	Verde 10	000 ⇔ 255	Modo RGBW: 0–100% / Modo CMY: 100–0%
76	Verde fino 10	000 ⇔ 255	Modo RGBW: 0–100% / Modo CMY: 100–0%
77	Azul 10	000 ⇔ 255	Modo RGBW: 0–100% / Modo CMY: 100–0%
78	Azul fino 10	000 ⇔ 255	Modo RGBW: 0–100% / Modo CMY: 100–0%
79	Blanco 10	000 ⇔ 255	Modo RGBW: 0–100% / Modo CMY: 100–0%
80	Blanco fino 10	000 ⇔ 255	Modo RGBW: 0–100% / Modo CMY: 100–0%

“Dual Control”: Modo “Standard Pixels” (40Ch)

Canal	Función	Valor	Porcentaje/Configuración
1	Rojo 1	000 ⇔ 255	Modo RGBW: 0–100% / Modo CMY: 100–0%
2	Verde 1	000 ⇔ 255	Modo RGBW: 0–100% / Modo CMY: 100–0%
3	Azul 1	000 ⇔ 255	Modo RGBW: 0–100% / Modo CMY: 100–0%
4	Blanco 1	000 ⇔ 255	Modo RGBW: 0–100% / Modo CMY: 100–0%
5	Rojo 2	000 ⇔ 255	Modo RGBW: 0–100% / Modo CMY: 100–0%
6	Verde 2	000 ⇔ 255	Modo RGBW: 0–100% / Modo CMY: 100–0%
7	Azul 2	000 ⇔ 255	Modo RGBW: 0–100% / Modo CMY: 100–0%
8	Blanco 2	000 ⇔ 255	Modo RGBW: 0–100% / Modo CMY: 100–0%
9	Rojo 3	000 ⇔ 255	Modo RGBW: 0–100% / Modo CMY: 100–0%
10	Verde 3	000 ⇔ 255	Modo RGBW: 0–100% / Modo CMY: 100–0%
11	Azul 3	000 ⇔ 255	Modo RGBW: 0–100% / Modo CMY: 100–0%
12	Blanco 3	000 ⇔ 255	Modo RGBW: 0–100% / Modo CMY: 100–0%
13	Rojo 4	000 ⇔ 255	Modo RGBW: 0–100% / Modo CMY: 100–0%
14	Verde 4	000 ⇔ 255	Modo RGBW: 0–100% / Modo CMY: 100–0%
15	Azul 4	000 ⇔ 255	Modo RGBW: 0–100% / Modo CMY: 100–0%
16	Blanco 4	000 ⇔ 255	Modo RGBW: 0–100% / Modo CMY: 100–0%
17	Rojo 5	000 ⇔ 255	Modo RGBW: 0–100% / Modo CMY: 100–0%
18	Verde 5	000 ⇔ 255	Modo RGBW: 0–100% / Modo CMY: 100–0%
19	Azul 5	000 ⇔ 255	Modo RGBW: 0–100% / Modo CMY: 100–0%
20	Blanco 5	000 ⇔ 255	Modo RGBW: 0–100% / Modo CMY: 100–0%
21	Rojo 6	000 ⇔ 255	Modo RGBW: 0–100% / Modo CMY: 100–0%
22	Verde 6	000 ⇔ 255	Modo RGBW: 0–100% / Modo CMY: 100–0%
23	Azul 6	000 ⇔ 255	Modo RGBW: 0–100% / Modo CMY: 100–0%
24	Blanco 6	000 ⇔ 255	Modo RGBW: 0–100% / Modo CMY: 100–0%
25	Rojo 7	000 ⇔ 255	Modo RGBW: 0–100% / Modo CMY: 100–0%
26	Verde 7	000 ⇔ 255	Modo RGBW: 0–100% / Modo CMY: 100–0%
27	Azul 7	000 ⇔ 255	Modo RGBW: 0–100% / Modo CMY: 100–0%
28	Blanco 7	000 ⇔ 255	Modo RGBW: 0–100% / Modo CMY: 100–0%
29	Rojo 8	000 ⇔ 255	Modo RGBW: 0–100% / Modo CMY: 100–0%
30	Verde 8	000 ⇔ 255	Modo RGBW: 0–100% / Modo CMY: 100–0%
31	Azul 8	000 ⇔ 255	Modo RGBW: 0–100% / Modo CMY: 100–0%
32	Blanco 8	000 ⇔ 255	Modo RGBW: 0–100% / Modo CMY: 100–0%
33	Rojo 9	000 ⇔ 255	Modo RGBW: 0–100% / Modo CMY: 100–0%
34	Verde 9	000 ⇔ 255	Modo RGBW: 0–100% / Modo CMY: 100–0%
35	Azul 9	000 ⇔ 255	Modo RGBW: 0–100% / Modo CMY: 100–0%
36	Blanco 9	000 ⇔ 255	Modo RGBW: 0–100% / Modo CMY: 100–0%
37	Rojo 10	000 ⇔ 255	Modo RGBW: 0–100% / Modo CMY: 100–0%
38	Verde 10	000 ⇔ 255	Modo RGBW: 0–100% / Modo CMY: 100–0%
39	Azul 10	000 ⇔ 255	Modo RGBW: 0–100% / Modo CMY: 100–0%
40	Blanco 10	000 ⇔ 255	Modo RGBW: 0–100% / Modo CMY: 100–0%

“Dual Control”: Modo “Basic Pixels” (30Ch)

Canal	Función	Valor	Porcentaje/Configuración
1	Rojo 1	000 ⇔ 255	Modo RGBW: 0–100% / Modo CMY: 100–0%
2	Verde 1	000 ⇔ 255	Modo RGBW: 0–100% / Modo CMY: 100–0%
3	Azul 1	000 ⇔ 255	Modo RGBW: 0–100% / Modo CMY: 100–0%
4	Rojo 2	000 ⇔ 255	Modo RGBW: 0–100% / Modo CMY: 100–0%
5	Verde 2	000 ⇔ 255	Modo RGBW: 0–100% / Modo CMY: 100–0%
6	Azul 2	000 ⇔ 255	Modo RGBW: 0–100% / Modo CMY: 100–0%
7	Rojo 3	000 ⇔ 255	Modo RGBW: 0–100% / Modo CMY: 100–0%
8	Verde 3	000 ⇔ 255	Modo RGBW: 0–100% / Modo CMY: 100–0%
9	Azul 3	000 ⇔ 255	Modo RGBW: 0–100% / Modo CMY: 100–0%
10	Rojo 4	000 ⇔ 255	Modo RGBW: 0–100% / Modo CMY: 100–0%
11	Verde 4	000 ⇔ 255	Modo RGBW: 0–100% / Modo CMY: 100–0%
12	Azul 4	000 ⇔ 255	Modo RGBW: 0–100% / Modo CMY: 100–0%
13	Rojo 5	000 ⇔ 255	Modo RGBW: 0–100% / Modo CMY: 100–0%
14	Verde 5	000 ⇔ 255	Modo RGBW: 0–100% / Modo CMY: 100–0%
15	Azul 5	000 ⇔ 255	Modo RGBW: 0–100% / Modo CMY: 100–0%
16	Rojo 6	000 ⇔ 255	Modo RGBW: 0–100% / Modo CMY: 100–0%
17	Verde 6	000 ⇔ 255	Modo RGBW: 0–100% / Modo CMY: 100–0%
18	Azul 6	000 ⇔ 255	Modo RGBW: 0–100% / Modo CMY: 100–0%
19	Rojo 7	000 ⇔ 255	Modo RGBW: 0–100% / Modo CMY: 100–0%
20	Verde 7	000 ⇔ 255	Modo RGBW: 0–100% / Modo CMY: 100–0%
21	Azul 7	000 ⇔ 255	Modo RGBW: 0–100% / Modo CMY: 100–0%
22	Rojo 8	000 ⇔ 255	Modo RGBW: 0–100% / Modo CMY: 100–0%
23	Verde 8	000 ⇔ 255	Modo RGBW: 0–100% / Modo CMY: 100–0%
24	Azul 8	000 ⇔ 255	Modo RGBW: 0–100% / Modo CMY: 100–0%
25	Rojo 9	000 ⇔ 255	Modo RGBW: 0–100% / Modo CMY: 100–0%
26	Verde 9	000 ⇔ 255	Modo RGBW: 0–100% / Modo CMY: 100–0%
27	Azul 9	000 ⇔ 255	Modo RGBW: 0–100% / Modo CMY: 100–0%
28	Rojo 10	000 ⇔ 255	Modo RGBW: 0–100% / Modo CMY: 100–0%
29	Verde 10	000 ⇔ 255	Modo RGBW: 0–100% / Modo CMY: 100–0%
30	Azul 10	000 ⇔ 255	Modo RGBW: 0–100% / Modo CMY: 100–0%

A Propos de ce Manuel

Le manuel de référence (MR) du Maverick MK Pyxis reprend des informations de base sur ce produit notamment en matière de connexions, montage, options de menu et valeurs DMX. Téléchargez le Manuel d'Utilisation sur www.chauvetprofessional.com for pour de plus amples informations.

Clause de Non-Responsabilité

Les informations et caractéristiques contenues dans ce manuel sont sujettes à changement sans préavis.

GARANTIE LIMITÉE

VEUILLEZ VISITER NOTRE SITE INTERNET POUR CONSULTER LES MODALITÉS D'ENREGISTREMENT DE LA GARANTIE ET LES CONDITIONS GÉNÉRALES COMPLÈTES.

Pour les clients aux États-Unis et au Mexique: www.chauvetlighting.com/warranty-registration.

Pour les clients du Royaume-Uni, de la République d'Irlande, de la Belgique, des Pays-Bas, du Luxembourg, de la France et de l'Allemagne: www.chauvetlighting.eu/warranty-registration.

Chauvet garantit que cet appareil est exempt de défauts de matériaux et de fabrication dans des conditions normales d'utilisation, pendant la période spécifiée dans la garantie limitée complète consultable sur notre site Internet et sous réserve des exclusions et limitations qui y sont énoncées. Cette garantie ne s'applique qu'à l'acheteur initial du produit et n'est pas transférable. Pour exercer les droits prévus par cette garantie, vous devez fournir une preuve d'achat sous la forme d'un reçu de vente original d'un revendeur autorisé qui indique le nom du produit et la date d'achat. **IL N'EXISTE AUCUNE AUTRE GARANTIE EXPRESSE OU IMPLICITE.** Cette garantie vous confère des droits légaux spécifique. Vous pouvez également bénéficier d'autres droits qui varient selon les états et les pays. Cette garantie n'est valable qu'aux États-Unis, au Royaume-Uni, en République d'Irlande, en Belgique, aux Pays-Bas, au Luxembourg, en France, en Allemagne et au Mexique. Pour connaître les conditions de garantie dans d'autres pays, veuillez consulter votre revendeur local.

Consignes de Sécurité

Ces consignes de sécurité contiennent des informations importantes en matière d'installation, d'utilisation et d'entretien.

- Ce luminaire est uniquement réservé à un usage professionnel.
- N'ouvrez PAS cet appareil. Il ne contient aucun composant susceptible d'être réparé par l'utilisateur.
- Ne regardez PAS la source lumineuse lorsque le produit fonctionne.
- Durant les périodes de non-utilisation, pour éviter tout usure inutile et pour prolonger la durée de vie, déconnectez-entièrement l'appareil en le débranchant de l'alimentation électrique ou en coupant le disjoncteur.
- ATTENTION: Lorsque l'appareil est transféré d'un environnement à température extrême à un autre (par exemple d'un camion froid vers une salle de bal chaude et humide), de la condensation peut se former sur les composants électriques internes. Pour éviter de causer des dommages, laissez l'appareil s'acclimater entièrement au milieu environnant avant de le mettre sous tension.
- ATTENTION: le boîtier de ce produit peut s'avérer brûlant lors du fonctionnement.
- Montez toujours ce produit dans un endroit bien ventilé, à au moins 50 cm (20 pouces) des surfaces adjacentes.
- Le luminaire doit être placé de manière à ce qu'il ne soit pas possible de le regarder de manière fixe à une distance inférieure à 3,9 m.
- Ne laissez AUCUNE source inflammable dans un rayon de 50 cm du produit lorsque celui-ci fonctionne.
- Utilisez TOUJOURS un câble de sécurité lorsque vous montez ce produit en hauteur.
- N'utilisez PAS cet appareil en extérieur ou tout autre endroit où de la poussière, une chaleur excessive, de l'eau ou de l'humidité pourrait en affecter le fonctionnement. (IP20)
- N'utilisez PAS cet appareil si le boîtier, les lentilles ou les câbles vous semblent endommagés.
- Ne connectez ce produit NI à un gradateur NI à un rhéostat.
- Connectez UNIQUEMENT cet appareil à un circuit protégé et relié à la terre.
- N'utilisez QUE les lyres de suspension ou les poignées pour transporter cet appareil. Ne transportez jamais cet appareil par sa lyre asservie.
- Si le câble ou le cordon flexible externe de ce luminaire est endommagé, il doit être remplacé par un câble ou cordon spécial disponible exclusivement auprès du fabricant ou de son prestataire de service.
- La source lumineuse contenue dans ce luminaire ne peut être remplacée que par le fabricant ou son prestataire de service ou une personne suffisamment qualifiée.
- La température ambiante maximale doit être de 113° F (45° C). Ne le faites pas fonctionner à des températures plus élevées.
- En cas de sérieux problèmes de fonctionnement, arrêtez le système immédiatement.

Contact

En dehors des États-Unis, du Royaume-Uni et de l'Irlande, du Mexique, ou de Benelux contactez votre fournisseur si vous avez besoin d'assistance ou de retourner votre produit. Consultez le site www.chauvetprofessional.com pour trouver nos coordonnées.

Ce qui est inclus

- Maverick MK Pyxis
- Un cordon d'alimentation Seetronic Powerkon IP65
- 2 fixations Omega sans matériel de montage
- Un Manuel de Référence

Alimentation CA

Ce produit est doté d'une alimentation universelle prenant en charge toute tension d'entrée comprise entre 100 et 240 VCA, 50/60 Hz.

Prise CA

Connexion	Câble (États-Unis)	Câble (Europe)	Couleur de la Vis
Conducteur CA	Noir	Marron	Jaune/Cuivré
Neutre CA	Blanc	Bleu	Argenté
Terre CA	Vert/Jaune	Vert/Jaune	Vert



Durant les périodes de non-utilisation, pour éviter toute usure inutile et pour prolonger la durée de vie, déconnectez-entièrement l'appareil en le débranchant de l'alimentation électrique ou en coupant le disjoncteur.

Connexion Électrique

Il est possible connecter jusqu'à 3 produits Maverick MK Pyxis à 100 V, 4 produits à 120 V, 7 produits à 208 V, ou 8 produits à 230 V ou 240 V. Ne dépassez jamais ce nombre. Les cordons d'alimentation peuvent être achetés séparément.

Remplacement du Fusible

1. Débranchez l'appareil de l'alimentation.
2. À l'aide d'un tournevis à tête plate, dévissez le couvercle du porte-fusible du boîtier.
3. Retirez le fusil obsolète et remplacez-le par un fusible en bon état de même type et ampérage.
4. Revissez le couvercle du porte-fusible et rebranchez l'unité.

Connexions du signal

Vous pouvez relier le Maverick MK Pyxis à un contrôleur ou à un logiciel de contrôle à l'aide d'une connexion DMX, une connexion Ethernet ou les deux à la fois. En cas d'utilisation du Maverick MK Pyxis conjointement avec d'autres appareils compatibles avec les protocoles Art-Net™, sACN ou Kling-Net, vous gardez le contrôle individuel sur un même réseau. Veuillez consulter le manuel d'utilisation pour plus d'informations sur la connexion et la configuration de l'appareil avec ces signaux.

Personnalités de contrôle

Le Maverick MK Pyxis utilise les protocoles DMX, Art-Net™, sACN, WDMX et Kling-Net pour ses personnalités de contrôle:

Single Control	Dual Control Movement	Dual Control Pixels
Basic (26 canaux)	Basic (13 canaux)	Basic (30 canaux)
Standard (66 canaux)	Standard (30 canaux)	Standard (40 canaux)
Advanced (113 canaux)	Advanced (41 canaux)	Advanced (80 canaux)
Tour (131 canaux)		
Utilise DMX, Art-Net™, sACN ou WDMX	Utilise DMX, Art-Net™ ou sACN	Utilise DMX, Art-Net™, sACN ou Kling-Net



En mode "Dual Control", les protocoles "Movement" et "Pixels" ne peuvent pas être identiques.

Connexion DMX

Le Maverick MK Pyxis fonctionnera conjointement avec un jeu d'orgues DMX doté d'une connexion de donnée DMX à 3 ou 5 broches. Une introduction au DMX est à votre disposition sur www.chauvetprofessional.com.

Connexion Art-Net™

Art-Net™ est un protocole Ethernet par TCP/IP qui permet de transférer de grandes quantités de données DMX512 en utilisant une connexion etherCON RJ45 sur un grand réseau. Une introduction au protocole Art-Net™ est disponible sur le site internet www.chauvetprofessional.com. Chauvet Professional recommande d'utiliser le mode Unicast pour de meilleurs résultats.

Art-Net™ conçu et droit d'auteur par Artistic Licence Holdings Ltd.

Connexion sACN

Également appelé ANSI E1.31, le streaming ACN est un protocole Ethernet qui utilise les couches et le formatage de l'Architecture for Control Networks pour transporter des données DMX512 par IP ou tout autre réseau compatible ACN. L'ACN est maintenu par la PLASA (Professional Lighting and Sound Association).

Connexion Kling-Net

Kling-Net est un protocole réseau qui permet la configuration automatique des appareils d'affichage en utilisant une connexion Ethernet etherCON RJ45. Référez-vous au manuel du logiciel ArKaos pour des instructions détaillées sur la programmation de cet appareil.



Pour un fonctionnement sans problème, le protocole ArKaos Kling-Net nécessite l'utilisation d'une carte réseau Ethernet gigabit (1000 Mbps) et d'un routeur.



Le protocole ArKaos Kling-Net permet uniquement de faire fonctionner les modes "Standard Pixels" ou "Basic Pixels".

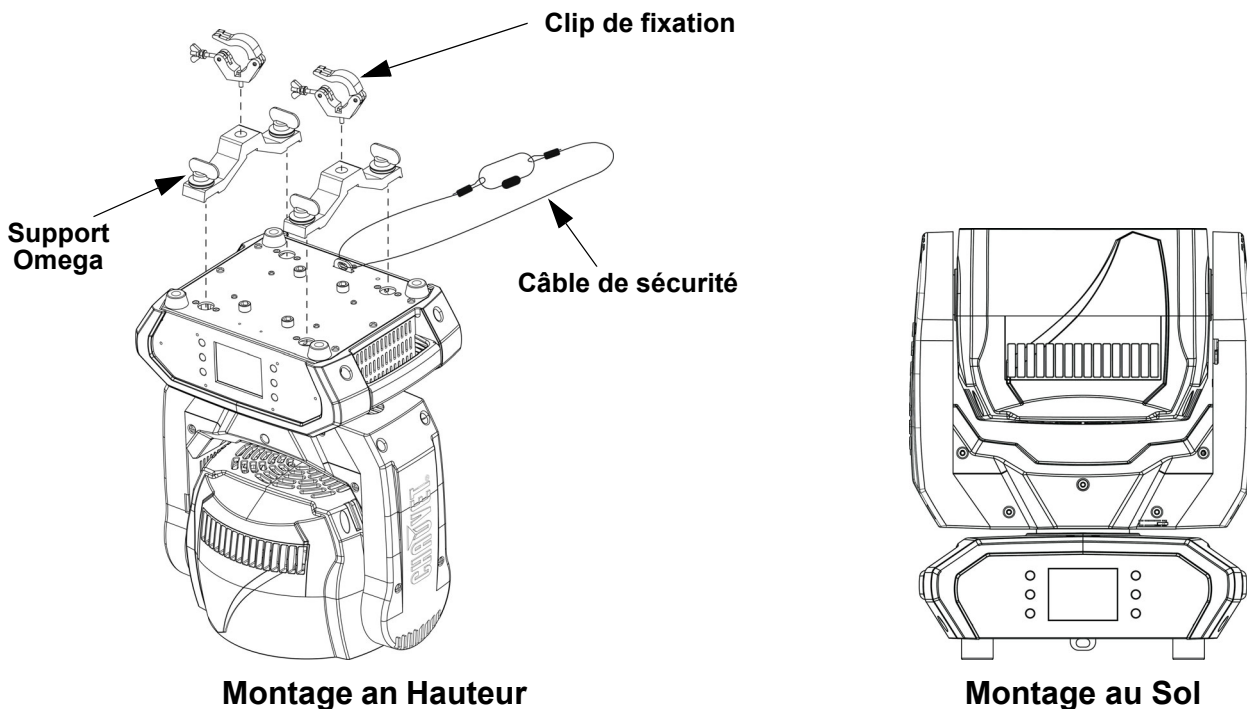
RDM (Gestion des périphériques à distance)

Le protocole RDM (gestion des périphériques à distance) est un standard pour la communication bidirectionnelle des appareils dotés de fonctions DMX dans un câblage DMX existant. Le Maverick MK Pyxis supporte le protocole RDM permettant un retour d'information pour la surveillance de la température et des changements des options de menu. Veuillez télécharger le manuel de l'utilisateur à partir du site internet www.chauvetprofessional.com pour plus de détails.

Montage

Avant de monter cet appareil, lisez et assimilez les [Consignes de Sécurité](#). Utilisez au moins deux points de fixation par appareil. Veillez à ce que les fixations sont capables de supporter le poids de l'unité. Découvrez notre gamme de fixations Chauvet sur <http://trusst.com/products>.

Schéma de Montage de l'appareil



Panneau de commande tactile

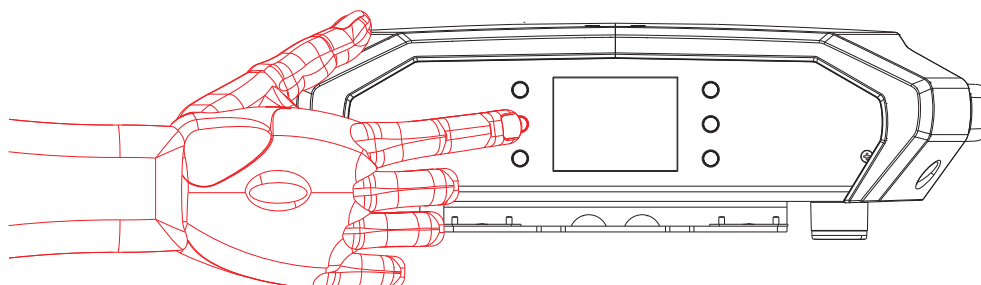
Le Maverick MK Pyxis est équipé d'un affichage avec un écran tactile ainsi que de 6 boutons de commande. L'écran tactile peut être verrouillé et calibré via l'option **Setup** (paramétrage) du menu.

Description du Tableau de Commandes

Bouton	Fonction
< ↑ >	Permet de naviguer vers le haut dans la liste du menu ou d'incrémenter une valeur numérique dans une fonction
< ☰ >	Permet de sortir du menu ou de la fonction en cours
< ↓ >	Permet de naviguer vers le bas dans la liste du menu ou de décrémenter une valeur numérique dans une fonction
< ← >	Permet de se déplacer vers la gauche dans le menu
< ↵ >	Active l'entrée de menu actuellement affichée ou confirme la valeur actuellement sélectionnée pour la fonction en cours de sélection
< → >	Permet de se déplacer vers la droite dans le menu

Affichage à piles

Appuyez sur la touche et maintenez-la enfoncée jusqu'à ce que l'écran du menu apparaisse (environ 15 secondes).



Plan du menu

Reportez-vous à la page du produit Maverick MK Pyxis sur www.chauvetprofessional.com pour la dernière carte des menu.

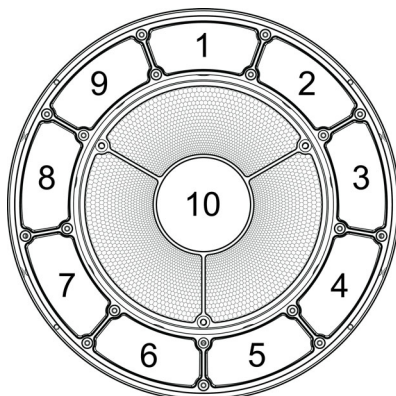
Niveaux de Programmation				Description	
Control Settings				Control Settings Niveau Principal	
Single Control	DMX	Personality	Basic	Définir la personnalité DMX (voir la section Personnalités de contrôle)	
			Standard		
			Advanced		
			Tour		
		Start Address	0-512	Définir l'adresse DMX de départ	
	ArtNet	Personality	Basic	Définir la personnalité Art-Net™ (voir la section Personnalités de contrôle)	
			Standard		
			Advanced		
			Tour		
			Start Address	0-512	Définir l'adresse Art-Net™ de départ
		Universe	0-255	Définir l'univers Art-Net™	
	sACN	Personality	Basic	Définir la personnalité sACN (voir la section Personnalités de contrôle)	
			Standard		
			Advanced		
			Tour		
			Start Address	0-512	Définir l'adresse sACN de départ
	Universe	0-255	Définir l'univers sACN		
WDMX	Personality	Basic	Définir la personnalité WDMX (voir la section Personnalités de contrôle)		
		Standard			
		Advanced			
		Tour			
	Start Address	0-512	Définir l'adresse WDMX de départ		
Control Settings	Movement	DMX	Basic	Définir la personnalité DMX (voir la section Personnalités de contrôle)	
			Standard		
			Advanced		
			Tour		
			Start Address	0-512	Définir l'adresse DMX de départ
		ArtNet	Personality	Basic	Définir la personnalité Art-Net™ (voir la section Personnalités de contrôle)
				Standard	
				Advanced	
				Tour	
			Start Address	0-512	Définir l'adresse Art-Net™ de départ
			Universe	0-255	Définir l'univers Art-Net™
		sACN	Personality	Basic	Définir la personnalité sACN (voir la section Personnalités de contrôle)
				Standard	
				Advanced	
				Tour	
			Start Address	0-512	Définir l'adresse sACN de départ
	Universe	0-255	Définir l'univers sACN		
Dual Control	Pixels	DMX	Basic	Définir la personnalité DMX (voir la section Personnalités de contrôle)	
			Standard		
			Advanced		
			Tour		
			Start Address	0-512	Définir l'adresse DMX de départ
		ArtNet	Personality	Basic	Définir la personnalité Art-Net™ (voir la section Personnalités de contrôle)
				Standard	
				Advanced	
				Tour	
			Start Address	0-512	Définir l'adresse Art-Net™ de départ
			Universe	0-255	Définir l'univers Art-Net™
		sACN	Personality	Basic	Définir la personnalité sACN (voir la section Personnalités de contrôle)
				Standard	
				Advanced	
				Tour	
			Start Address	0-512	Définir l'adresse sACN de départ
	Universe	0-255	Définir l'univers sACN		
	KlingNet	Personality	Basic	Définir la personnalité Kling-Net (voir la section Personnalités de contrôle)	
			Standard		

Niveaux de Programmation			Description	
Test Mode			Test Mode Niveau Principal	
Test Mode	Auto Test		Effectuer un test automatique de toutes les fonctions	
	Manual Test	Pan	000–255	Contrôler et tester manuellement chaque paramètre depuis le panneau de commande
		Tilt		
		P/T Speed		
		Red		
		Green		
		Blue		
		White		
		CTC		
		Color		
		Pattern		
		LED Macro		
		LED Ma. Speed		
		LED Ma. Fade		
		Background		
Background Dim.				
Dimmer				
Shutter				
Function				
Zoom				
Setup			Setup Niveau Principal	
Setup	Network Settings	IP Mode	Manual	Réglage manuel de l'adresse IP
			DHCP	L'adresse IP est définie par le réseau
			Static	L'adresse IP est définie par l'appareil
		IP	_ _ _ . _ _ _ . _ _ _ . _ _ _	Réglage de l'adresse IP en mode manuel
		SubMask	_ _ _ . _ _ _ . _ _ _ . _ _ _	Réglage du masque de sous-réseau en mode manuel
	Pan Reverse	NO		Fonctionnement normal du pan
		YES		Fonctionnement inversé du pan
	Tilt Reverse	NO		Fonctionnement normal du tilt
		YES		Fonctionnement inversé du tilt
	Zoom Reverse	NO		Zoom normal
		YES		Zoom inverse
	Screen Reverse	NO		L'écran s'affiche à normal
		YES		L'écran s'affiche à l'envers
		AUTO		Orientation automatique de l'écran
	Pan Angle	540		Plage d'angle de pan: 540°
		360		Plage d'angle de pan: 360°
		180		Plage d'angle de pan: 180°
	Tilt Angle	270		Plage d'angle de tilt: 270°
		180		Plage d'angle de tilt: 180°
		90		Plage d'angle de tilt: 90°
BL. O. P/T Move	NO		Pas de noir général pendant le pan/tilt	
	YES		Noir général pendant le pan/tilt	
Calibration	NO		Conserver les paramètres actuels	
	YES		Calibration de l'écran tactile	
Touchscreen Lock	NO		L'écran réponds au toucher	
	YES		L'écran ne réponds pas au toucher	
Lock Screen	NO		Boutons de verrouillage et écran tactile	
	YES		Mot de Passe: 0920	

Niveaux de Programmation			Description	
Setup (suite)			Setup Niveau Principal (suite)	
Swap XY		NO	Ne pas permuter le pan et le tilt	
		YES	Le pan contrôle le tilt et inversement	
WDMX Reset		NO	Ne pas réinitialiser le WDMX	
		YES	Réinitialiser le WDMX	
Backlight Timer		30S	L'affichage s'éteint après 30 secondes	
		1M	L'affichage s'éteint après 1 minute	
		5M	L'affichage s'éteint après 5 minutes	
		ON	L'affichage reste allumé	
Loss of Data		Hold	Conservation du dernier signal reçu	
		Close	Extinction de l'unité	
Fans		Auto	La vitesse du ventilateur s'adapte à la température de l'appareil	
		Full	La vitesse du ventilateur est réglée sur la vitesse haute	
		ECO	Mode silencieux	
C Mixing Mode		RGBW	Mélange de couleur supplémentaire (0 à 100%)	
		CMY	Mélange de couleur retirée (100% à 0)	
Dimmer Curve		Linear	Définir la courbe de gradation	
		Square		
		I Squa		
		SCurve		
Dimmer Speed		Smooth	Modifier la vitesse de gradation	
		Fast		
PWM Option		600Hz	Permet de sélectionner la fréquence de sortie MLI	
		1200Hz		
		2000Hz		
		4000Hz		
		15000Hz		
Color Balance	Red	000–255	Définir la valeur maximum de LED rouge	
	Green		Définir la valeur maximum de LED verte	
	Blue		Définir la valeur maximum de LED bleue	
	White		Définir la valeur maximum de LED blanche	
Preset Select		PRESET A	Options de menu des préreglages enregistrés	
		PRESET B		
		PRESET C		
Preset Sync		NO	Permet de transférer les options de menu des préreglages enregistrés vers d'autres appareils Maverick MK Pyxis de la chaîne DMX en guirlande	
		YES		
Reset Function	Pan/Tilt	NO	Réinitialiser chaque fonction de manière individuelle ou toutes les fonctions à partir du démarrage	
		YES		
	Zoom	NO		
		YES		
	All	NO		
YES				
Factory Settings		NO	Réinitialisation aux paramètres par défaut d'usine	
		YES		
Sys Info			Sys Info Niveau Principal	
Sys Info	Fixture Information	Ver	V_	Affiche la version du micrologiciel
		Running Mode	---	Affiche le mode d'exécution actuel
		Address	---	Affiche l'adresse de départ actuelle
		Temperature	---	Affiche la température actuelle de l'appareil en °C

Niveaux de Programmation		Description	
Sys Info (suite)		Sys Info Niveau Principal (suite)	
Fixture Information	Fixture Hours	-----	
	Ip	---:--:--:--:--	
	SubMask	---:--:--:--:--	
	MAC	---:--:--:--:--	
Fan Information	Head Fan1 Speed	-----	
	Head Fan2 Speed	-----	
Error Information	No Error!*		
Sys Info (suite)	Channel Information	Frequency	
		Pan	
		Pan Fine	
		Tilt	
		Tilt Fine	
		Pan Rotation	
		Tilt Rotation	
		P/T Speed	
		CTC	
		Color (1-2)	
		Pattern	
		LED Macro	
		LED Ma. Speed	
		LED Ma. Fine	
		Background	
		Background Dim.	---
		Bg. Dim. Fine	
		Dimmer (A-B)	
		Dimmer Fine (A-B)	
		Shutter (1-2)	
		Zoom	
		Function	
		Red (tout, 1-10)	
		Red Fine (tout, 1-10)	
		Green (tout, 1-10)	
		Green fine (tout, 1-10)	
		Blue (tout, 1-10)	
		Blue Fine (tout, 1-10)	
White (tout, 1-10)			
White Fine (tout, 1-10)			
Dimmer (1-10)			
Dimmer Fine (1-10)			

Zones pour le contrôle de pixels



Valeurs DMX

Valeurs “Single Control”

“Single Control”: Mode “Tour” (131Ch)

Canal	Fonction	Valeur	Pourcentage/Paramétrage
1	Pan (balayage)	000 ⇔ 255	0–100%
2	Pan fin	000 ⇔ 255	0–100%
3	Tilt (basculement)	000 ⇔ 255	0–100%
4	Tilt fin	000 ⇔ 255	0–100%
5	Pan en continu	000	Pas de fonction
		001 ⇔ 127	Pan en continu, rapide à lent
		128	Pas de fonction
		129 ⇔ 255	Pan en continu inversé, lent à rapide
6	Tilt en continu	000	Pas de fonction
		001 ⇔ 127	Tilt en continu, rapide à lent
		128	Pas de fonction
		129 ⇔ 255	Tilt en continu inversé, lent à rapide
7	Vitesse Pan/Tilt	000 ⇔ 255	Rapide à lent
8	CTC	000	Pas de fonction
		001 ⇔ 255	Température de couleur, 2800–10000 K
9	Couleur de l'anneau	000	Pas de fonction
		001 ⇔ 002	2700K R = 156 G = 118 B = 0 W = 63
		003 ⇔ 004	3200K R = 156 G = 141 B = 5 W = 89
		005 ⇔ 006	4200K R = 156 G = 141 B = 14 W = 255
		007 ⇔ 008	5600K R = 156 G = 207 B = 54 W = 255
		009 ⇔ 010	8000K R = 130 G = 255 B = 96 W = 255
		011	Bleu R = 0 G = 0 B = 255 W = 0
		012 ⇔ 048	+ vert R = 0 G = 0–255 B = 255 W = 0
		049	Cyan R = 0 G = 255 B = 255 W = 0
		050 ⇔ 086	- bleu R = 0 G = 255 B = 255–0 W = 0
		087	Vert R = 0 G = 255 B = 0 W = 0
		088 ⇔ 124	+ rouge R = 0–255 G = 255 B = 0 W = 0
		125	Jaune R = 255 G = 255 B = 0 W = 0
		126 ⇔ 162	- vert R = 255 G = 255–0 B = 0 W = 0
		163	Rouge R = 255 G = 0 B = 0 W = 0
		164 ⇔ 200	+ bleu R = 255 G = 0 B = 0–255 W = 0
		201	Magenta R = 255 G = 0 B = 255 W = 0
		202 ⇔ 238	- rouge R = 255–0 G = 0 B = 255 W = 0
		239	Bleu R = 0 G = 0 B = 255 W = 0
		240 ⇔ 247	Changement de couleur, rapide à lent
248 ⇔ 255	Saut de couleur, rapide à lent		

Canal	Fonction	Valeur	Pourcentage/Paramétrage
10	Couleur du faisceau	000	Pas de fonction
		001 ⇔ 002	2700K R = 156 G = 118 B = 0 W = 63
		003 ⇔ 004	3200K R = 156 G = 141 B = 5 W = 89
		005 ⇔ 006	4200K R = 156 G = 141 B = 14 W = 255
		007 ⇔ 008	5600K R = 156 G = 207 B = 54 W = 255
		009 ⇔ 010	8000K R = 130 G = 255 B = 96 W = 255
		011	Bleu R = 0 G = 0 B = 255 W = 0
		012 ⇔ 048	+ vert R = 0 G = 0-255 B = 255 W = 0
		049	Cyan R = 0 G = 255 B = 255 W = 0
		050 ⇔ 086	- bleu R = 0 G = 255 B = 255-0 W = 0
		087	Vert R = 0 G = 255 B = 0 W = 0
		088 ⇔ 124	+ rouge R = 0-255 G = 255 B = 0 W = 0
		125	Jaune R = 255 G = 255 B = 0 W = 0
		126 ⇔ 162	- vert R = 255 G = 255-0 B = 0 W = 0
		163	Rouge R = 255 G = 0 B = 0 W = 0
		164 ⇔ 200	+ bleu R = 255 G = 0 B = 0-255 W = 0
		201	Magenta R = 255 G = 0 B = 255 W = 0
		202 ⇔ 238	- rouge R = 255-0 G = 0 B = 255 W = 0
		239	Bleu R = 0 G = 0 B = 255 W = 0
		240 ⇔ 247	Changement de couleur, rapide à lent
248 ⇔ 255	Saut de couleur, rapide à lent		
11	Gobo	000	Pas de fonction
		001 ⇔ 255	Gobos (indexé)
12	Macro LED / Programme Automatique	000 ⇔ 015	Pas de fonction
		016 ⇔ 135	Macros LED
		136 ⇔ 255	Programmes automatique
13	Vitesse pour Macro LED / Programme Automatique	000 ⇔ 127	Rapide à lent, sens horaire
		128	Attente
		129 ⇔ 255	Lent à rapide, dans le sens antihoraire
14	Décalage interne LED	000 ⇔ 255	Rapide à lent
15	Couleur de l'arrière plan	000	Pas de fonction
		001 ⇔ 002	2700K R = 156 G = 118 B = 0 W = 63
		003 ⇔ 004	3200K R = 156 G = 141 B = 5 W = 89
		005 ⇔ 006	4200K R = 156 G = 141 B = 14 W = 255
		007 ⇔ 008	5600K R = 156 G = 207 B = 54 W = 255
		009 ⇔ 010	8000K R = 130 G = 255 B = 96 W = 255
		011	Bleu R = 0 G = 0 B = 255 W = 0
		012 ⇔ 048	+ vert R = 0 G = 0-255 B = 255 W = 0
		049	Cyan R = 0 G = 255 B = 255 W = 0
		050 ⇔ 086	- bleu R = 0 G = 255 B = 255-0 W = 0
		087	Vert R = 0 G = 255 B = 0 W = 0
		088 ⇔ 124	+ rouge R = 0-255 G = 255 B = 0 W = 0
		125	Jaune R = 255 G = 255 B = 0 W = 0
		126 ⇔ 162	- vert R = 255 G = 255-0 B = 0 W = 0
		163	Rouge R = 255 G = 0 B = 0 W = 0
		164 ⇔ 200	+ bleu R = 255 G = 0 B = 0-255 W = 0
		201	Magenta R = 255 G = 0 B = 255 W = 0
		202 ⇔ 238	- rouge R = 255-0 G = 0 B = 255 W = 0
		239	Bleu R = 0 G = 0 B = 255 W = 0
		240 ⇔ 247	Changement de couleur, rapide à lent
248 ⇔ 255	Saut de couleur, rapide à lent		
16	Gradateur de l'arrière plan	000 ⇔ 255	0-100%
17	Gradateur fin de l'arrière plan	000 ⇔ 255	0-100%
18	Gradateur principal	000 ⇔ 255	0-100%
19	Gradateur fin principal	000 ⇔ 255	0-100%

Canal	Fonction	Valeur	Pourcentage/Paramétrage
20	Obturateur de l'anneau	000 ⇔ 019	Arrêt
		020 ⇔ 024	Marche
		025 ⇔ 069	Stroboscope, rapide à lent
		070 ⇔ 089	Stroboscope 100–0%, rapide à lent
		090 ⇔ 109	Stroboscope 0–100%, rapide à lent
		110 ⇔ 129	Stroboscope aléatoire, rapide à lent
		130 ⇔ 149	Stroboscope aléatoire 100–0%, rapide à lent
		150 ⇔ 169	Stroboscope aléatoire 0–100%, rapide à lent
		170 ⇔ 189	Stroboscope pulsation, rapide à lent
		190 ⇔ 209	Stroboscope pulsation aléatoire, rapide à lent
		210 ⇔ 229	Stroboscope 0–100–0%, rapide à lent
		230 ⇔ 244	Stroboscope pulsation aléatoire, rapide à lent
245 ⇔ 255	Marche		
21	Obturateur du faisceau	000 ⇔ 019	Arrêt
		020 ⇔ 024	Marche
		025 ⇔ 069	Stroboscope, rapide à lent
		070 ⇔ 089	Stroboscope 100–0%, rapide à lent
		090 ⇔ 109	Stroboscope 0–100%, rapide à lent
		110 ⇔ 129	Stroboscope aléatoire, rapide à lent
		130 ⇔ 149	Stroboscope aléatoire 100–0%, rapide à lent
		150 ⇔ 169	Stroboscope aléatoire 0–100%, rapide à lent
		170 ⇔ 189	Stroboscope pulsation, rapide à lent
		190 ⇔ 209	Stroboscope pulsation aléatoire, rapide à lent
		210 ⇔ 229	Stroboscope 0–100–0%, rapide à lent
		230 ⇔ 244	Stroboscope pulsation aléatoire, rapide à lent
245 ⇔ 255	Marche		
22	Zoom	000 ⇔ 255	Large à étroit
23	Contrôle	000 ⇔ 009	Pas de fonction
		010 ⇔ 014	Noir général pendant le pan/tilt
		015 ⇔ 019	Réservé pour utilisation future
		020 ⇔ 024	Mode de mélange de couleur RGBW (en ajout)
		025 ⇔ 029	Mode de mélange de couleur CMY (en soustraction)
		030 ⇔ 049	Réservé pour utilisation future
		050 ⇔ 054	Réinitialisation du pan
		055 ⇔ 059	Réinitialisation du tilt
		060 ⇔ 064	Réinitialisation zoom
		065 ⇔ 069	Réservé pour utilisation future
		070 ⇔ 074	Réinitialisation totale
		075 ⇔ 109	Réservé pour utilisation future
		110 ⇔ 114	Vitesse rapide de pan/tilt
		115 ⇔ 119	Vitesse lente de pan/tilt
		120 ⇔ 124	Mode de vitesse ventilateur lente
		125 ⇔ 129	Mode de vitesse ventilateur plein régime
		130 ⇔ 134	Mode de vitesse ventilateur automatique
135 ⇔ 139	Mode de vitesse de gradation rapide		
140 ⇔ 144	Mode de vitesse de gradation lente		
145 ⇔ 255	Réservé pour utilisation future		
24	Rouge principal	000 ⇔ 255	Mode RGBW: 0–100% / Mode CMY: 100–0%
25	Rouge fin principal	000 ⇔ 255	Mode RGBW: 0–100% / Mode CMY: 100–0%
26	Vert principal	000 ⇔ 255	Mode RGBW: 0–100% / Mode CMY: 100–0%
27	Vert fin principal	000 ⇔ 255	Mode RGBW: 0–100% / Mode CMY: 100–0%
28	Bleu principal	000 ⇔ 255	Mode RGBW: 0–100% / Mode CMY: 100–0%
29	Bleu fin principal	000 ⇔ 255	Mode RGBW: 0–100% / Mode CMY: 100–0%
30	Blanc principal	000 ⇔ 255	Mode RGBW: 0–100% / Mode CMY: 100–0%
31	Blanc fin principal	000 ⇔ 255	Mode RGBW: 0–100% / Mode CMY: 100–0%

Canal	Fonction	Valeur	Pourcentage/Paramétrage
32	Gradateur 1	000 ⇄ 255	0–100%
33	Gradateur fin 1	000 ⇄ 255	0–100%
34	Rouge 1	000 ⇄ 255	Mode RGBW: 0–100% / Mode CMY: 100–0%
35	Rouge fin 1	000 ⇄ 255	Mode RGBW: 0–100% / Mode CMY: 100–0%
36	Vert 1	000 ⇄ 255	Mode RGBW: 0–100% / Mode CMY: 100–0%
37	Vert fin 1	000 ⇄ 255	Mode RGBW: 0–100% / Mode CMY: 100–0%
38	Bleu 1	000 ⇄ 255	Mode RGBW: 0–100% / Mode CMY: 100–0%
39	Bleu fin 1	000 ⇄ 255	Mode RGBW: 0–100% / Mode CMY: 100–0%
40	Blanc 1	000 ⇄ 255	Mode RGBW: 0–100% / Mode CMY: 100–0%
41	Blanc fin 1	000 ⇄ 255	Mode RGBW: 0–100% / Mode CMY: 100–0%
42	Gradateur 2	000 ⇄ 255	0–100%
43	Gradateur fin 2	000 ⇄ 255	0–100%
44	Rouge 2	000 ⇄ 255	Mode RGBW: 0–100% / Mode CMY: 100–0%
45	Rouge fin 2	000 ⇄ 255	Mode RGBW: 0–100% / Mode CMY: 100–0%
46	Vert 2	000 ⇄ 255	Mode RGBW: 0–100% / Mode CMY: 100–0%
47	Vert fin 2	000 ⇄ 255	Mode RGBW: 0–100% / Mode CMY: 100–0%
48	Bleu 2	000 ⇄ 255	Mode RGBW: 0–100% / Mode CMY: 100–0%
49	Bleu fin 2	000 ⇄ 255	Mode RGBW: 0–100% / Mode CMY: 100–0%
50	Blanc 2	000 ⇄ 255	Mode RGBW: 0–100% / Mode CMY: 100–0%
51	Blanc fin 2	000 ⇄ 255	Mode RGBW: 0–100% / Mode CMY: 100–0%
52	Gradateur 3	000 ⇄ 255	0–100%
53	Gradateur fin 3	000 ⇄ 255	0–100%
54	Rouge 3	000 ⇄ 255	Mode RGBW: 0–100% / Mode CMY: 100–0%
55	Rouge fin 3	000 ⇄ 255	Mode RGBW: 0–100% / Mode CMY: 100–0%
56	Vert 3	000 ⇄ 255	Mode RGBW: 0–100% / Mode CMY: 100–0%
57	Vert fin 3	000 ⇄ 255	Mode RGBW: 0–100% / Mode CMY: 100–0%
58	Bleu 3	000 ⇄ 255	Mode RGBW: 0–100% / Mode CMY: 100–0%
59	Bleu fin 3	000 ⇄ 255	Mode RGBW: 0–100% / Mode CMY: 100–0%
60	Blanc 3	000 ⇄ 255	Mode RGBW: 0–100% / Mode CMY: 100–0%
61	Blanc fin 3	000 ⇄ 255	Mode RGBW: 0–100% / Mode CMY: 100–0%
62	Gradateur 4	000 ⇄ 255	0–100%
63	Gradateur fin 4	000 ⇄ 255	0–100%
64	Rouge 4	000 ⇄ 255	Mode RGBW: 0–100% / Mode CMY: 100–0%
65	Rouge fin 4	000 ⇄ 255	Mode RGBW: 0–100% / Mode CMY: 100–0%
66	Vert 4	000 ⇄ 255	Mode RGBW: 0–100% / Mode CMY: 100–0%
67	Vert fin 4	000 ⇄ 255	Mode RGBW: 0–100% / Mode CMY: 100–0%
68	Bleu 4	000 ⇄ 255	Mode RGBW: 0–100% / Mode CMY: 100–0%
69	Bleu fin 4	000 ⇄ 255	Mode RGBW: 0–100% / Mode CMY: 100–0%
70	Blanc 4	000 ⇄ 255	Mode RGBW: 0–100% / Mode CMY: 100–0%
71	Blanc fin 4	000 ⇄ 255	Mode RGBW: 0–100% / Mode CMY: 100–0%
72	Gradateur 5	000 ⇄ 255	0–100%
73	Gradateur fin 5	000 ⇄ 255	0–100%
74	Rouge 5	000 ⇄ 255	Mode RGBW: 0–100% / Mode CMY: 100–0%
75	Rouge fin 5	000 ⇄ 255	Mode RGBW: 0–100% / Mode CMY: 100–0%
76	Vert 5	000 ⇄ 255	Mode RGBW: 0–100% / Mode CMY: 100–0%
77	Vert fin 5	000 ⇄ 255	Mode RGBW: 0–100% / Mode CMY: 100–0%
78	Bleu 5	000 ⇄ 255	Mode RGBW: 0–100% / Mode CMY: 100–0%
79	Bleu fin 5	000 ⇄ 255	Mode RGBW: 0–100% / Mode CMY: 100–0%
80	Blanc 5	000 ⇄ 255	Mode RGBW: 0–100% / Mode CMY: 100–0%
81	Blanc fin 5	000 ⇄ 255	Mode RGBW: 0–100% / Mode CMY: 100–0%
82	Gradateur 6	000 ⇄ 255	0–100%
83	Gradateur fin 6	000 ⇄ 255	0–100%
84	Rouge 6	000 ⇄ 255	Mode RGBW: 0–100% / Mode CMY: 100–0%
85	Rouge fin 6	000 ⇄ 255	Mode RGBW: 0–100% / Mode CMY: 100–0%
86	Vert 6	000 ⇄ 255	Mode RGBW: 0–100% / Mode CMY: 100–0%

Canal	Fonction	Valeur	Pourcentage/Paramétrage
87	Vert fin6	000 ⇔ 255	Mode RGBW: 0–100% / Mode CMY: 100–0%
88	Bleu 6	000 ⇔ 255	Mode RGBW: 0–100% / Mode CMY: 100–0%
89	Bleu fin 6	000 ⇔ 255	Mode RGBW: 0–100% / Mode CMY: 100–0%
90	Blanc 6	000 ⇔ 255	Mode RGBW: 0–100% / Mode CMY: 100–0%
91	Blanc fin 6	000 ⇔ 255	Mode RGBW: 0–100% / Mode CMY: 100–0%
92	Gradateur 7	000 ⇔ 255	0–100%
93	Gradateur fin 7	000 ⇔ 255	0–100%
94	Rouge 7	000 ⇔ 255	Mode RGBW: 0–100% / Mode CMY: 100–0%
95	Rouge fin 7	000 ⇔ 255	Mode RGBW: 0–100% / Mode CMY: 100–0%
96	Vert 7	000 ⇔ 255	Mode RGBW: 0–100% / Mode CMY: 100–0%
97	Vert fin 7	000 ⇔ 255	Mode RGBW: 0–100% / Mode CMY: 100–0%
98	Bleu 7	000 ⇔ 255	Mode RGBW: 0–100% / Mode CMY: 100–0%
99	Bleu fin 7	000 ⇔ 255	Mode RGBW: 0–100% / Mode CMY: 100–0%
100	Blanc 7	000 ⇔ 255	Mode RGBW: 0–100% / Mode CMY: 100–0%
101	Blanc fin 7	000 ⇔ 255	Mode RGBW: 0–100% / Mode CMY: 100–0%
102	Gradateur 8	000 ⇔ 255	0–100%
103	Gradateur fin 8	000 ⇔ 255	0–100%
104	Rouge 8	000 ⇔ 255	Mode RGBW: 0–100% / Mode CMY: 100–0%
105	Rouge fin 8	000 ⇔ 255	Mode RGBW: 0–100% / Mode CMY: 100–0%
106	Vert 8	000 ⇔ 255	Mode RGBW: 0–100% / Mode CMY: 100–0%
107	Vert fin 8	000 ⇔ 255	Mode RGBW: 0–100% / Mode CMY: 100–0%
108	Bleu 8	000 ⇔ 255	Mode RGBW: 0–100% / Mode CMY: 100–0%
109	Bleu fin 8	000 ⇔ 255	Mode RGBW: 0–100% / Mode CMY: 100–0%
110	Blanc 8	000 ⇔ 255	Mode RGBW: 0–100% / Mode CMY: 100–0%
111	Blanc fin 8	000 ⇔ 255	Mode RGBW: 0–100% / Mode CMY: 100–0%
112	Gradateur 9	000 ⇔ 255	0–100%
113	Gradateur fin 9	000 ⇔ 255	0–100%
114	Rouge 9	000 ⇔ 255	Mode RGBW: 0–100% / Mode CMY: 100–0%
115	Rouge fin 9	000 ⇔ 255	Mode RGBW: 0–100% / Mode CMY: 100–0%
116	Vert 9	000 ⇔ 255	Mode RGBW: 0–100% / Mode CMY: 100–0%
117	Vert fin 9	000 ⇔ 255	Mode RGBW: 0–100% / Mode CMY: 100–0%
118	Bleu 9	000 ⇔ 255	Mode RGBW: 0–100% / Mode CMY: 100–0%
119	Bleu fin 9	000 ⇔ 255	Mode RGBW: 0–100% / Mode CMY: 100–0%
120	Blanc 9	000 ⇔ 255	Mode RGBW: 0–100% / Mode CMY: 100–0%
121	Blanc fin 9	000 ⇔ 255	Mode RGBW: 0–100% / Mode CMY: 100–0%
122	Gradateur 10	000 ⇔ 255	0–100%
123	Gradateur fin 10	000 ⇔ 255	0–100%
124	Rouge 10	000 ⇔ 255	Mode RGBW: 0–100% / Mode CMY: 100–0%
125	Rouge fin 10	000 ⇔ 255	Mode RGBW: 0–100% / Mode CMY: 100–0%
126	Vert 10	000 ⇔ 255	Mode RGBW: 0–100% / Mode CMY: 100–0%
127	Vert fin 10	000 ⇔ 255	Mode RGBW: 0–100% / Mode CMY: 100–0%
128	Bleu 10	000 ⇔ 255	Mode RGBW: 0–100% / Mode CMY: 100–0%
129	Bleu fin 10	000 ⇔ 255	Mode RGBW: 0–100% / Mode CMY: 100–0%
130	Blanc 10	000 ⇔ 255	Mode RGBW: 0–100% / Mode CMY: 100–0%
131	Blanc fin 10	000 ⇔ 255	Mode RGBW: 0–100% / Mode CMY: 100–0%

“Single Control”: Mode “Advanced” (113Ch)

Canal	Fonction	Valeur	Pourcentage/Paramétrage
1	Pan (balayage)	000 ⇔ 255	0–100%
2	Pan fin	000 ⇔ 255	0–100%
3	Tilt (basculement)	000 ⇔ 255	0–100%
4	Tilt fin	000 ⇔ 255	0–100%
5	Pan en continu	000	Pas de fonction
		001 ⇔ 127	Pan en continu, rapide à lent
		128	Pas de fonction
		129 ⇔ 255	Pan en continu inversé, lent à rapide
6	Tilt en continu	000	Pas de fonction
		001 ⇔ 127	Tilt en continu, rapide à lent
		128	Pas de fonction
		129 ⇔ 255	Tilt en continu inversé, lent à rapide
7	Vitesse Pan/Tilt	000 ⇔ 255	Rapide à lent
8	CTC	000	Pas de fonction
		001 ⇔ 255	Température de couleur, 2800–10000 K
9	Couleur de l'anneau	000	Pas de fonction
		001 ⇔ 002	2700K R = 156 G = 118 B = 0 W = 63
		003 ⇔ 004	3200K R = 156 G = 141 B = 5 W = 89
		005 ⇔ 006	4200K R = 156 G = 141 B = 14 W = 255
		007 ⇔ 008	5600K R = 156 G = 207 B = 54 W = 255
		009 ⇔ 010	8000K R = 130 G = 255 B = 96 W = 255
		011	Bleu R = 0 G = 0 B = 255 W = 0
		012 ⇔ 048	+ vert R = 0 G = 0–255 B = 255 W = 0
		049	Cyan R = 0 G = 255 B = 255 W = 0
		050 ⇔ 086	- bleu R = 0 G = 255 B = 255–0 W = 0
		087	Vert R = 0 G = 255 B = 0 W = 0
		088 ⇔ 124	+ rouge R = 0–255 G = 255 B = 0 W = 0
		125	Jaune R = 255 G = 255 B = 0 W = 0
		126 ⇔ 162	- vert R = 255 G = 255–0 B = 0 W = 0
		163	Rouge R = 255 G = 0 B = 0 W = 0
		164 ⇔ 200	+ bleu R = 255 G = 0 B = 0–255 W = 0
		201	Magenta R = 255 G = 0 B = 255 W = 0
		202 ⇔ 238	- rouge R = 255–0 G = 0 B = 255 W = 0
		239	Bleu R = 0 G = 0 B = 255 W = 0
		240 ⇔ 247	Changement de couleur, rapide à lent
248 ⇔ 255	Saut de couleur, rapide à lent		

Canal	Fonction	Valeur	Pourcentage/Paramétrage
10	Couleur du faisceau	000	Pas de fonction
		001 ⇔ 002	2700K R = 156 G = 118 B = 0 W = 63
		003 ⇔ 004	3200K R = 156 G = 141 B = 5 W = 89
		005 ⇔ 006	4200K R = 156 G = 141 B = 14 W = 255
		007 ⇔ 008	5600K R = 156 G = 207 B = 54 W = 255
		009 ⇔ 010	8000K R = 130 G = 255 B = 96 W = 255
		011	Bleu R = 0 G = 0 B = 255 W = 0
		012 ⇔ 048	+ vert R = 0 G = 0-255 B = 255 W = 0
		049	Cyan R = 0 G = 255 B = 255 W = 0
		050 ⇔ 086	- bleu R = 0 G = 255 B = 255-0 W = 0
		087	Vert R = 0 G = 255 B = 0 W = 0
		088 ⇔ 124	+ rouge R = 0-255 G = 255 B = 0 W = 0
		125	Jaune R = 255 G = 255 B = 0 W = 0
		126 ⇔ 162	- vert R = 255 G = 255-0 B = 0 W = 0
		163	Rouge R = 255 G = 0 B = 0 W = 0
		164 ⇔ 200	+ bleu R = 255 G = 0 B = 0-255 W = 0
		201	Magenta R = 255 G = 0 B = 255 W = 0
		202 ⇔ 238	- rouge R = 255-0 G = 0 B = 255 W = 0
		239	Bleu R = 0 G = 0 B = 255 W = 0
		240 ⇔ 247	Changement de couleur, rapide à lent
248 ⇔ 255	Saut de couleur, rapide à lent		
11	Gobo	000	Pas de fonction
		001 ⇔ 255	Gobos (indexé)
12	Macro LED / Programme Automatique	000 ⇔ 015	Pas de fonction
		016 ⇔ 135	Macros LED
		136 ⇔ 255	Programmes automatique
13	Vitesse pour Macro LED / Programme Automatique	000 ⇔ 127	Rapide à lent, sens horaire
		128	Attente
		129 ⇔ 255	Lent à rapide, dans le sens antihoraire
14	Décalage interne LED	000 ⇔ 255	Rapide à lent
15	Couleur de l'arrière plan	000	Pas de fonction
		001 ⇔ 002	2700K R = 156 G = 118 B = 0 W = 63
		003 ⇔ 004	3200K R = 156 G = 141 B = 5 W = 89
		005 ⇔ 006	4200K R = 156 G = 141 B = 14 W = 255
		007 ⇔ 008	5600K R = 156 G = 207 B = 54 W = 255
		009 ⇔ 010	8000K R = 130 G = 255 B = 96 W = 255
		011	Bleu R = 0 G = 0 B = 255 W = 0
		012 ⇔ 048	+ vert R = 0 G = 0-255 B = 255 W = 0
		049	Cyan R = 0 G = 255 B = 255 W = 0
		050 ⇔ 086	- bleu R = 0 G = 255 B = 255-0 W = 0
		087	Vert R = 0 G = 255 B = 0 W = 0
		088 ⇔ 124	+ rouge R = 0-255 G = 255 B = 0 W = 0
		125	Jaune R = 255 G = 255 B = 0 W = 0
		126 ⇔ 162	- vert R = 255 G = 255-0 B = 0 W = 0
		163	Rouge R = 255 G = 0 B = 0 W = 0
		164 ⇔ 200	+ bleu R = 255 G = 0 B = 0-255 W = 0
		201	Magenta R = 255 G = 0 B = 255 W = 0
		202 ⇔ 238	- rouge R = 255-0 G = 0 B = 255 W = 0
		239	Bleu R = 0 G = 0 B = 255 W = 0
		240 ⇔ 247	Changement de couleur, rapide à lent
248 ⇔ 255	Saut de couleur, rapide à lent		
16	Gradateur de l'arrière plan	000 ⇔ 255	0-100%
17	Gradateur fin de l'arrière plan	000 ⇔ 255	0-100%
18	Gradateur de l'anneau	000 ⇔ 255	0-100%
19	Gradateur fin de l'anneau	000 ⇔ 255	0-100%

Canal	Fonction	Valeur	Pourcentage/Paramétrage
20	Gradateur du faisceau	000 ⇔ 255	0–100%
21	Gradateur fin du faisceau	000 ⇔ 255	0–100%
22	Obturbateur de l'anneau	000 ⇔ 019	Arrêt
		020 ⇔ 024	Marche
		025 ⇔ 069	Stroboscope, rapide à lent
		070 ⇔ 089	Stroboscope 100–0%, rapide à lent
		090 ⇔ 109	Stroboscope 0–100%, rapide à lent
		110 ⇔ 129	Stroboscope aléatoire, rapide à lent
		130 ⇔ 149	Stroboscope aléatoire 100–0%, rapide à lent
		150 ⇔ 169	Stroboscope aléatoire 0–100%, rapide à lent
		170 ⇔ 189	Stroboscope pulsation, rapide à lent
		190 ⇔ 209	Stroboscope pulsation aléatoire, rapide à lent
		210 ⇔ 229	Stroboscope 0–100–0%, rapide à lent
		230 ⇔ 244	Stroboscope pulsation aléatoire, rapide à lent
245 ⇔ 255	Marche		
23	Obturbateur du faisceau	000 ⇔ 019	Arrêt
		020 ⇔ 024	Marche
		025 ⇔ 069	Stroboscope, rapide à lent
		070 ⇔ 089	Stroboscope 100–0%, rapide à lent
		090 ⇔ 109	Stroboscope 0–100%, rapide à lent
		110 ⇔ 129	Stroboscope aléatoire, rapide à lent
		130 ⇔ 149	Stroboscope aléatoire 100–0%, rapide à lent
		150 ⇔ 169	Stroboscope aléatoire 0–100%, rapide à lent
		170 ⇔ 189	Stroboscope pulsation, rapide à lent
		190 ⇔ 209	Stroboscope pulsation aléatoire, rapide à lent
		210 ⇔ 229	Stroboscope 0–100–0%, rapide à lent
		230 ⇔ 244	Stroboscope pulsation aléatoire, rapide à lent
245 ⇔ 255	Marche		
24	Zoom	000 ⇔ 255	Large à étroit
25	Contrôle	000 ⇔ 009	Pas de fonction
		010 ⇔ 014	Noir général pendant le pan/tilt
		015 ⇔ 019	Réservé pour utilisation future
		020 ⇔ 024	Mode de mélange de couleur RGBW (en ajout)
		025 ⇔ 029	Mode de mélange de couleur CMY (en soustraction)
		030 ⇔ 049	Réservé pour utilisation future
		050 ⇔ 054	Réinitialisation du pan
		055 ⇔ 059	Réinitialisation du tilt
		060 ⇔ 064	Réinitialisation zoom
		065 ⇔ 069	Réservé pour utilisation future
		070 ⇔ 074	Réinitialisation totale
		075 ⇔ 109	Réservé pour utilisation future
		110 ⇔ 114	Vitesse rapide de pan/tilt
		115 ⇔ 119	Vitesse lente de pan/tilt
		120 ⇔ 124	Mode de vitesse ventilateur lente
		125 ⇔ 129	Mode de vitesse ventilateur plein régime
		130 ⇔ 134	Mode de vitesse ventilateur automatique
135 ⇔ 139	Mode de vitesse de gradation rapide		
140 ⇔ 144	Mode de vitesse de gradation lente		
145 ⇔ 255	Réservé pour utilisation future		
26	Rouge principal	000 ⇔ 255	Mode RGBW: 0–100% / Mode CMY: 100–0%
27	Rouge fin principal	000 ⇔ 255	Mode RGBW: 0–100% / Mode CMY: 100–0%
28	Vert principal	000 ⇔ 255	Mode RGBW: 0–100% / Mode CMY: 100–0%
29	Vert fin principal	000 ⇔ 255	Mode RGBW: 0–100% / Mode CMY: 100–0%
30	Bleu principal	000 ⇔ 255	Mode RGBW: 0–100% / Mode CMY: 100–0%
31	Bleu fin principal	000 ⇔ 255	Mode RGBW: 0–100% / Mode CMY: 100–0%

Canal	Fonction	Valeur	Pourcentage/Paramétrage
32	Blanc principal	000 ⇔ 255	Mode RGBW: 0–100% / Mode CMY: 100–0%
33	Blanc fin principal	000 ⇔ 255	Mode RGBW: 0–100% / Mode CMY: 100–0%
34	Rouge 1	000 ⇔ 255	Mode RGBW: 0–100% / Mode CMY: 100–0%
35	Rouge fin 1	000 ⇔ 255	Mode RGBW: 0–100% / Mode CMY: 100–0%
36	Vert 1	000 ⇔ 255	Mode RGBW: 0–100% / Mode CMY: 100–0%
37	Vert fin 1	000 ⇔ 255	Mode RGBW: 0–100% / Mode CMY: 100–0%
38	Bleu 1	000 ⇔ 255	Mode RGBW: 0–100% / Mode CMY: 100–0%
39	Bleu fin 1	000 ⇔ 255	Mode RGBW: 0–100% / Mode CMY: 100–0%
40	Blanc 1	000 ⇔ 255	Mode RGBW: 0–100% / Mode CMY: 100–0%
41	Blanc fin 1	000 ⇔ 255	Mode RGBW: 0–100% / Mode CMY: 100–0%
42	Rouge 2	000 ⇔ 255	Mode RGBW: 0–100% / Mode CMY: 100–0%
43	Rouge fin 2	000 ⇔ 255	Mode RGBW: 0–100% / Mode CMY: 100–0%
44	Vert 2	000 ⇔ 255	Mode RGBW: 0–100% / Mode CMY: 100–0%
45	Vert fin 2	000 ⇔ 255	Mode RGBW: 0–100% / Mode CMY: 100–0%
46	Bleu 2	000 ⇔ 255	Mode RGBW: 0–100% / Mode CMY: 100–0%
47	Bleu fin 2	000 ⇔ 255	Mode RGBW: 0–100% / Mode CMY: 100–0%
48	Blanc 2	000 ⇔ 255	Mode RGBW: 0–100% / Mode CMY: 100–0%
49	Blanc fin 2	000 ⇔ 255	Mode RGBW: 0–100% / Mode CMY: 100–0%
50	Rouge 3	000 ⇔ 255	Mode RGBW: 0–100% / Mode CMY: 100–0%
51	Rouge fin 3	000 ⇔ 255	Mode RGBW: 0–100% / Mode CMY: 100–0%
52	Vert 3	000 ⇔ 255	Mode RGBW: 0–100% / Mode CMY: 100–0%
53	Vert fin 3	000 ⇔ 255	Mode RGBW: 0–100% / Mode CMY: 100–0%
54	Bleu 3	000 ⇔ 255	Mode RGBW: 0–100% / Mode CMY: 100–0%
55	Bleu fin 3	000 ⇔ 255	Mode RGBW: 0–100% / Mode CMY: 100–0%
56	Blanc 3	000 ⇔ 255	Mode RGBW: 0–100% / Mode CMY: 100–0%
57	Blanc fin 3	000 ⇔ 255	Mode RGBW: 0–100% / Mode CMY: 100–0%
58	Rouge 4	000 ⇔ 255	Mode RGBW: 0–100% / Mode CMY: 100–0%
59	Rouge fin 4	000 ⇔ 255	Mode RGBW: 0–100% / Mode CMY: 100–0%
60	Vert 4	000 ⇔ 255	Mode RGBW: 0–100% / Mode CMY: 100–0%
61	Vert fin 4	000 ⇔ 255	Mode RGBW: 0–100% / Mode CMY: 100–0%
62	Bleu 4	000 ⇔ 255	Mode RGBW: 0–100% / Mode CMY: 100–0%
63	Bleu fin 4	000 ⇔ 255	Mode RGBW: 0–100% / Mode CMY: 100–0%
64	Blanc 4	000 ⇔ 255	Mode RGBW: 0–100% / Mode CMY: 100–0%
65	Blanc fin 4	000 ⇔ 255	Mode RGBW: 0–100% / Mode CMY: 100–0%
66	Rouge 5	000 ⇔ 255	Mode RGBW: 0–100% / Mode CMY: 100–0%
67	Rouge fin 5	000 ⇔ 255	Mode RGBW: 0–100% / Mode CMY: 100–0%
68	Vert 5	000 ⇔ 255	Mode RGBW: 0–100% / Mode CMY: 100–0%
69	Vert fin 5	000 ⇔ 255	Mode RGBW: 0–100% / Mode CMY: 100–0%
70	Bleu 5	000 ⇔ 255	Mode RGBW: 0–100% / Mode CMY: 100–0%
71	Bleu fin 5	000 ⇔ 255	Mode RGBW: 0–100% / Mode CMY: 100–0%
72	Blanc 5	000 ⇔ 255	Mode RGBW: 0–100% / Mode CMY: 100–0%
73	Blanc fin 5	000 ⇔ 255	Mode RGBW: 0–100% / Mode CMY: 100–0%
74	Rouge 6	000 ⇔ 255	Mode RGBW: 0–100% / Mode CMY: 100–0%
75	Rouge fin 6	000 ⇔ 255	Mode RGBW: 0–100% / Mode CMY: 100–0%
76	Vert 6	000 ⇔ 255	Mode RGBW: 0–100% / Mode CMY: 100–0%
77	Vert fin 6	000 ⇔ 255	Mode RGBW: 0–100% / Mode CMY: 100–0%
78	Bleu 6	000 ⇔ 255	Mode RGBW: 0–100% / Mode CMY: 100–0%
79	Bleu fin 6	000 ⇔ 255	Mode RGBW: 0–100% / Mode CMY: 100–0%
80	Blanc 6	000 ⇔ 255	Mode RGBW: 0–100% / Mode CMY: 100–0%
81	Blanc fin 6	000 ⇔ 255	Mode RGBW: 0–100% / Mode CMY: 100–0%
82	Rouge 7	000 ⇔ 255	Mode RGBW: 0–100% / Mode CMY: 100–0%
83	Rouge fin 7	000 ⇔ 255	Mode RGBW: 0–100% / Mode CMY: 100–0%
84	Vert 7	000 ⇔ 255	Mode RGBW: 0–100% / Mode CMY: 100–0%
85	Vert fin 7	000 ⇔ 255	Mode RGBW: 0–100% / Mode CMY: 100–0%

Canal	Fonction	Valeur	Pourcentage/Paramétrage
86	Bleu 7	000 ⇔ 255	Mode RGBW: 0–100% / Mode CMY: 100–0%
87	Bleu fin 7	000 ⇔ 255	Mode RGBW: 0–100% / Mode CMY: 100–0%
88	Blanc 7	000 ⇔ 255	Mode RGBW: 0–100% / Mode CMY: 100–0%
89	Blanc fin 7	000 ⇔ 255	Mode RGBW: 0–100% / Mode CMY: 100–0%
90	Rouge 8	000 ⇔ 255	Mode RGBW: 0–100% / Mode CMY: 100–0%
91	Rouge fin 8	000 ⇔ 255	Mode RGBW: 0–100% / Mode CMY: 100–0%
92	Vert 8	000 ⇔ 255	Mode RGBW: 0–100% / Mode CMY: 100–0%
93	Vert fin 8	000 ⇔ 255	Mode RGBW: 0–100% / Mode CMY: 100–0%
94	Bleu 8	000 ⇔ 255	Mode RGBW: 0–100% / Mode CMY: 100–0%
95	Bleu fin 8	000 ⇔ 255	Mode RGBW: 0–100% / Mode CMY: 100–0%
96	Blanc 8	000 ⇔ 255	Mode RGBW: 0–100% / Mode CMY: 100–0%
97	Blanc fin 8	000 ⇔ 255	Mode RGBW: 0–100% / Mode CMY: 100–0%
98	Rouge 9	000 ⇔ 255	Mode RGBW: 0–100% / Mode CMY: 100–0%
99	Rouge fin 9	000 ⇔ 255	Mode RGBW: 0–100% / Mode CMY: 100–0%
100	Vert 9	000 ⇔ 255	Mode RGBW: 0–100% / Mode CMY: 100–0%
101	Vert fin 9	000 ⇔ 255	Mode RGBW: 0–100% / Mode CMY: 100–0%
102	Bleu 9	000 ⇔ 255	Mode RGBW: 0–100% / Mode CMY: 100–0%
103	Bleu fin 9	000 ⇔ 255	Mode RGBW: 0–100% / Mode CMY: 100–0%
104	Blanc 9	000 ⇔ 255	Mode RGBW: 0–100% / Mode CMY: 100–0%
105	Blanc fin 9	000 ⇔ 255	Mode RGBW: 0–100% / Mode CMY: 100–0%
106	Rouge 10	000 ⇔ 255	Mode RGBW: 0–100% / Mode CMY: 100–0%
107	Rouge fin 10	000 ⇔ 255	Mode RGBW: 0–100% / Mode CMY: 100–0%
108	Vert 10	000 ⇔ 255	Mode RGBW: 0–100% / Mode CMY: 100–0%
109	Vert fin 10	000 ⇔ 255	Mode RGBW: 0–100% / Mode CMY: 100–0%
110	Bleu 10	000 ⇔ 255	Mode RGBW: 0–100% / Mode CMY: 100–0%
111	Bleu fin 10	000 ⇔ 255	Mode RGBW: 0–100% / Mode CMY: 100–0%
112	Blanc 10	000 ⇔ 255	Mode RGBW: 0–100% / Mode CMY: 100–0%
113	Blanc fin 10	000 ⇔ 255	Mode RGBW: 0–100% / Mode CMY: 100–0%

“Single Control”: Mode “Standard” (66Ch)

Canal	Fonction	Valeur	Pourcentage/Paramétrage
1	Pan (balayage)	000 ⇔ 255	0–100%
2	Pan fin	000 ⇔ 255	0–100%
3	Tilt (basculement)	000 ⇔ 255	0–100%
4	Tilt fin	000 ⇔ 255	0–100%
5	Pan en continu	000	Pas de fonction
		001 ⇔ 127	Pan en continu, rapide à lent
		128	Pas de fonction
		129 ⇔ 255	Pan en continu inversé, lent à rapide
6	Tilt en continu	000	Pas de fonction
		001 ⇔ 127	Tilt en continu, rapide à lent
		128	Pas de fonction
		129 ⇔ 255	Tilt en continu inversé, lent à rapide
7	Vitesse Pan/Tilt	000 ⇔ 255	Rapide à lent
8	CTC	000	Pas de fonction
		001 ⇔ 255	Température de couleur, 2800–10000 K

Canal	Fonction	Valeur	Pourcentage/Paramétrage				
9	Couleur de l'anneau	000	Pas de fonction				
		001 ⇔ 002	2700K	R = 156	G = 118	B = 0	W = 63
		003 ⇔ 004	3200K	R = 156	G = 141	B = 5	W = 89
		005 ⇔ 006	4200K	R = 156	G = 141	B = 14	W = 255
		007 ⇔ 008	5600K	R = 156	G = 207	B = 54	W = 255
		009 ⇔ 010	8000K	R = 130	G = 255	B = 96	W = 255
		011	Bleu	R = 0	G = 0	B = 255	W = 0
		012 ⇔ 048	+ vert	R = 0	G = 0–255	B = 255	W = 0
		049	Cyan	R = 0	G = 255	B = 255	W = 0
		050 ⇔ 086	- bleu	R = 0	G = 255	B = 255–0	W = 0
		087	Vert	R = 0	G = 255	B = 0	W = 0
		088 ⇔ 124	+ rouge	R = 0–255	G = 255	B = 0	W = 0
		125	Jaune	R = 255	G = 255	B = 0	W = 0
		126 ⇔ 162	- vert	R = 255	G = 255–0	B = 0	W = 0
		163	Rouge	R = 255	G = 0	B = 0	W = 0
		164 ⇔ 200	+ bleu	R = 255	G = 0	B = 0–255	W = 0
		201	Magenta	R = 255	G = 0	B = 255	W = 0
		202 ⇔ 238	- rouge	R = 255–0	G = 0	B = 255	W = 0
		239	Bleu	R = 0	G = 0	B = 255	W = 0
		240 ⇔ 247	Changement de couleur, rapide à lent				
248 ⇔ 255	Saut de couleur, rapide à lent						
10	Couleur du faisceau	000	Pas de fonction				
		001 ⇔ 002	2700K	R = 156	G = 118	B = 0	W = 63
		003 ⇔ 004	3200K	R = 156	G = 141	B = 5	W = 89
		005 ⇔ 006	4200K	R = 156	G = 141	B = 14	W = 255
		007 ⇔ 008	5600K	R = 156	G = 207	B = 54	W = 255
		009 ⇔ 010	8000K	R = 130	G = 255	B = 96	W = 255
		011	Bleu	R = 0	G = 0	B = 255	W = 0
		012 ⇔ 048	+ vert	R = 0	G = 0–255	B = 255	W = 0
		049	Cyan	R = 0	G = 255	B = 255	W = 0
		050 ⇔ 086	- bleu	R = 0	G = 255	B = 255–0	W = 0
		087	Vert	R = 0	G = 255	B = 0	W = 0
		088 ⇔ 124	+ rouge	R = 0–255	G = 255	B = 0	W = 0
		125	Jaune	R = 255	G = 255	B = 0	W = 0
		126 ⇔ 162	- vert	R = 255	G = 255–0	B = 0	W = 0
		163	Rouge	R = 255	G = 0	B = 0	W = 0
		164 ⇔ 200	+ bleu	R = 255	G = 0	B = 0–255	W = 0
		201	Magenta	R = 255	G = 0	B = 255	W = 0
		202 ⇔ 238	- rouge	R = 255–0	G = 0	B = 255	W = 0
		239	Bleu	R = 0	G = 0	B = 255	W = 0
		240 ⇔ 247	Changement de couleur, rapide à lent				
248 ⇔ 255	Saut de couleur, rapide à lent						
11	Gobo	000	Pas de fonction				
		001 ⇔ 255	Gobos (indexé)				
12	Macro LED / Programme Automatique	000 ⇔ 015	Pas de fonction				
		016 ⇔ 135	Macros LED				
		136 ⇔ 255	Programmes automatique				
13	Vitesse pour Macro LED / Programme Automatique	000 ⇔ 127	Rapide à lent, sens horaire				
		128	Attente				
		129 ⇔ 255	Lent à rapide, dans le sens antihoraire				
14	Décalage interne LED	000 ⇔ 255	Rapide à lent				

Canal	Fonction	Valeur	Pourcentage/Paramétrage
15	Couleur de l'arrière plan	000	Pas de fonction
		001 ⇔ 002	2700K R = 156 G = 118 B = 0 W = 63
		003 ⇔ 004	3200K R = 156 G = 141 B = 5 W = 89
		005 ⇔ 006	4200K R = 156 G = 141 B = 14 W = 255
		007 ⇔ 008	5600K R = 156 G = 207 B = 54 W = 255
		009 ⇔ 010	8000K R = 130 G = 255 B = 96 W = 255
		011	Bleu R = 0 G = 0 B = 255 W = 0
		012 ⇔ 048	+ vert R = 0 G = 0-255 B = 255 W = 0
		049	Cyan R = 0 G = 255 B = 255 W = 0
		050 ⇔ 086	- bleu R = 0 G = 255 B = 255-0 W = 0
		087	Vert R = 0 G = 255 B = 0 W = 0
		088 ⇔ 124	+ rouge R = 0-255 G = 255 B = 0 W = 0
		125	Jaune R = 255 G = 255 B = 0 W = 0
		126 ⇔ 162	- vert R = 255 G = 255-0 B = 0 W = 0
		163	Rouge R = 255 G = 0 B = 0 W = 0
		164 ⇔ 200	+ bleu R = 255 G = 0 B = 0-255 W = 0
		201	Magenta R = 255 G = 0 B = 255 W = 0
		202 ⇔ 238	- rouge R = 255-0 G = 0 B = 255 W = 0
		239	Bleu R = 0 G = 0 B = 255 W = 0
		240 ⇔ 247	Changement de couleur, rapide à lent
248 ⇔ 255	Saut de couleur, rapide à lent		
16	Gradateur de l'arrière plan	000 ⇔ 255	0-100%
17	Gradateur de l'anneau	000 ⇔ 255	0-100%
18	Gradateur du faisceau	000 ⇔ 255	0-100%
19	Obturbateur de l'anneau	000 ⇔ 019	Arrêt
		020 ⇔ 024	Marche
		025 ⇔ 069	Stroboscope, rapide à lent
		070 ⇔ 089	Stroboscope 100-0%, rapide à lent
		090 ⇔ 109	Stroboscope 0-100%, rapide à lent
		110 ⇔ 129	Stroboscope aléatoire, rapide à lent
		130 ⇔ 149	Stroboscope aléatoire 100-0%, rapide à lent
		150 ⇔ 169	Stroboscope aléatoire 0-100%, rapide à lent
		170 ⇔ 189	Stroboscope pulsation, rapide à lent
		190 ⇔ 209	Stroboscope pulsation aléatoire, rapide à lent
		210 ⇔ 229	Stroboscope 0-100-0%, rapide à lent
		230 ⇔ 244	Stroboscope pulsation aléatoire, rapide à lent
		245 ⇔ 255	Marche
20	Obturbateur du faisceau	000 ⇔ 019	Arrêt
		020 ⇔ 024	Marche
		025 ⇔ 069	Stroboscope, rapide à lent
		070 ⇔ 089	Stroboscope 100-0%, rapide à lent
		090 ⇔ 109	Stroboscope 0-100%, rapide à lent
		110 ⇔ 129	Stroboscope aléatoire, rapide à lent
		130 ⇔ 149	Stroboscope aléatoire 100-0%, rapide à lent
		150 ⇔ 169	Stroboscope aléatoire 0-100%, rapide à lent
		170 ⇔ 189	Stroboscope pulsation, rapide à lent
		190 ⇔ 209	Stroboscope pulsation aléatoire, rapide à lent
		210 ⇔ 229	Stroboscope 0-100-0%, rapide à lent
		230 ⇔ 244	Stroboscope pulsation aléatoire, rapide à lent
		245 ⇔ 255	Marche
21	Zoom	000 ⇔ 255	Large à étroit

Canal	Fonction	Valeur	Pourcentage/Paramétrage
22	Contrôle	000 ⇔ 009	Pas de fonction
		010 ⇔ 014	Noir général pendant le pan/tilt
		015 ⇔ 019	Réservé pour utilisation future
		020 ⇔ 024	Mode de mélange de couleur RGBW (en ajout)
		025 ⇔ 029	Mode de mélange de couleur CMY (en soustraction)
		030 ⇔ 049	Réservé pour utilisation future
		050 ⇔ 054	Réinitialisation du pan
		055 ⇔ 059	Réinitialisation du tilt
		060 ⇔ 064	Réinitialisation zoom
		065 ⇔ 069	Réservé pour utilisation future
		070 ⇔ 074	Réinitialisation totale
		075 ⇔ 109	Réservé pour utilisation future
		110 ⇔ 114	Vitesse rapide de pan/tilt
		115 ⇔ 119	Vitesse lente de pan/tilt
		120 ⇔ 124	Mode de vitesse ventilateur lente
		125 ⇔ 129	Mode de vitesse ventilateur plein régime
		130 ⇔ 134	Mode de vitesse ventilateur automatique
135 ⇔ 139	Mode de vitesse de gradation rapide		
140 ⇔ 144	Mode de vitesse de gradation lente		
145 ⇔ 255	Réservé pour utilisation future		
23	Rouge principal	000 ⇔ 255	Mode RGBW: 0–100% / Mode CMY: 100–0%
24	Vert principal	000 ⇔ 255	Mode RGBW: 0–100% / Mode CMY: 100–0%
25	Bleu principal	000 ⇔ 255	Mode RGBW: 0–100% / Mode CMY: 100–0%
26	Blanc principal	000 ⇔ 255	Mode RGBW: 0–100% / Mode CMY: 100–0%
27	Rouge 1	000 ⇔ 255	Mode RGBW: 0–100% / Mode CMY: 100–0%
28	Vert 1	000 ⇔ 255	Mode RGBW: 0–100% / Mode CMY: 100–0%
29	Bleu 1	000 ⇔ 255	Mode RGBW: 0–100% / Mode CMY: 100–0%
30	Blanc 1	000 ⇔ 255	Mode RGBW: 0–100% / Mode CMY: 100–0%
31	Rouge 2	000 ⇔ 255	Mode RGBW: 0–100% / Mode CMY: 100–0%
32	Vert 2	000 ⇔ 255	Mode RGBW: 0–100% / Mode CMY: 100–0%
33	Bleu 2	000 ⇔ 255	Mode RGBW: 0–100% / Mode CMY: 100–0%
34	Blanc 2	000 ⇔ 255	Mode RGBW: 0–100% / Mode CMY: 100–0%
35	Rouge 3	000 ⇔ 255	Mode RGBW: 0–100% / Mode CMY: 100–0%
36	Vert 3	000 ⇔ 255	Mode RGBW: 0–100% / Mode CMY: 100–0%
37	Bleu 3	000 ⇔ 255	Mode RGBW: 0–100% / Mode CMY: 100–0%
38	Blanc 3	000 ⇔ 255	Mode RGBW: 0–100% / Mode CMY: 100–0%
39	Rouge 4	000 ⇔ 255	Mode RGBW: 0–100% / Mode CMY: 100–0%
40	Vert 4	000 ⇔ 255	Mode RGBW: 0–100% / Mode CMY: 100–0%
41	Bleu 4	000 ⇔ 255	Mode RGBW: 0–100% / Mode CMY: 100–0%
42	Blanc 4	000 ⇔ 255	Mode RGBW: 0–100% / Mode CMY: 100–0%
43	Rouge 5	000 ⇔ 255	Mode RGBW: 0–100% / Mode CMY: 100–0%
44	Vert 5	000 ⇔ 255	Mode RGBW: 0–100% / Mode CMY: 100–0%
45	Bleu 5	000 ⇔ 255	Mode RGBW: 0–100% / Mode CMY: 100–0%
46	Blanc 5	000 ⇔ 255	Mode RGBW: 0–100% / Mode CMY: 100–0%
47	Rouge 6	000 ⇔ 255	Mode RGBW: 0–100% / Mode CMY: 100–0%
48	Vert 6	000 ⇔ 255	Mode RGBW: 0–100% / Mode CMY: 100–0%
49	Bleu 6	000 ⇔ 255	Mode RGBW: 0–100% / Mode CMY: 100–0%
50	Blanc 6	000 ⇔ 255	Mode RGBW: 0–100% / Mode CMY: 100–0%
51	Rouge 7	000 ⇔ 255	Mode RGBW: 0–100% / Mode CMY: 100–0%
52	Vert 7	000 ⇔ 255	Mode RGBW: 0–100% / Mode CMY: 100–0%
53	Bleu 7	000 ⇔ 255	Mode RGBW: 0–100% / Mode CMY: 100–0%
54	Blanc 7	000 ⇔ 255	Mode RGBW: 0–100% / Mode CMY: 100–0%
55	Rouge 8	000 ⇔ 255	Mode RGBW: 0–100% / Mode CMY: 100–0%
56	Vert 8	000 ⇔ 255	Mode RGBW: 0–100% / Mode CMY: 100–0%
57	Bleu 8	000 ⇔ 255	Mode RGBW: 0–100% / Mode CMY: 100–0%

Canal	Fonction	Valeur	Pourcentage/Paramétrage
58	Blanc 8	000 ⇔ 255	Mode RGBW: 0–100% / Mode CMY: 100–0%
59	Rouge 9	000 ⇔ 255	Mode RGBW: 0–100% / Mode CMY: 100–0%
60	Vert 9	000 ⇔ 255	Mode RGBW: 0–100% / Mode CMY: 100–0%
61	Bleu 9	000 ⇔ 255	Mode RGBW: 0–100% / Mode CMY: 100–0%
62	Blanc 9	000 ⇔ 255	Mode RGBW: 0–100% / Mode CMY: 100–0%
63	Rouge 10	000 ⇔ 255	Mode RGBW: 0–100% / Mode CMY: 100–0%
64	Vert 10	000 ⇔ 255	Mode RGBW: 0–100% / Mode CMY: 100–0%
65	Bleu 10	000 ⇔ 255	Mode RGBW: 0–100% / Mode CMY: 100–0%
66	Blanc 10	000 ⇔ 255	Mode RGBW: 0–100% / Mode CMY: 100–0%

“Single Control”: Mode “Basic” (26Ch)

Canal	Fonction	Valeur	Pourcentage/Paramétrage
1	Pan (balayage)	000 ⇔ 255	0–100%
2	Pan fin	000 ⇔ 255	0–100%
3	Tilt (basculement)	000 ⇔ 255	0–100%
4	Tilt fin	000 ⇔ 255	0–100%
5	Pan en continu	000	Pas de fonction
		001 ⇔ 127	Pan en continu, rapide à lent
		128	Pas de fonction
		129 ⇔ 255	Pan en continu inversé, lent à rapide
6	Tilt en continu	000	Pas de fonction
		001 ⇔ 127	Tilt en continu, rapide à lent
		128	Pas de fonction
		129 ⇔ 255	Tilt en continu inversé, lent à rapide
7	Vitesse Pan/Tilt	000 ⇔ 255	Rapide à lent
8	CTC	000	Pas de fonction
		001 ⇔ 255	Température de couleur, 2800–10000 K
9	Couleur de l'anneau	000	Pas de fonction
		001 ⇔ 002	2700K R = 156 G = 118 B = 0 W = 63
		003 ⇔ 004	3200K R = 156 G = 141 B = 5 W = 89
		005 ⇔ 006	4200K R = 156 G = 141 B = 14 W = 255
		007 ⇔ 008	5600K R = 156 G = 207 B = 54 W = 255
		009 ⇔ 010	8000K R = 130 G = 255 B = 96 W = 255
		011	Bleu R = 0 G = 0 B = 255 W = 0
		012 ⇔ 048	+ vert R = 0 G = 0–255 B = 255 W = 0
		049	Cyan R = 0 G = 255 B = 255 W = 0
		050 ⇔ 086	- bleu R = 0 G = 255 B = 255–0 W = 0
		087	Vert R = 0 G = 255 B = 0 W = 0
		088 ⇔ 124	+ rouge R = 0–255 G = 255 B = 0 W = 0
		125	Jaune R = 255 G = 255 B = 0 W = 0
		126 ⇔ 162	- vert R = 255 G = 255–0 B = 0 W = 0
		163	Rouge R = 255 G = 0 B = 0 W = 0
		164 ⇔ 200	+ bleu R = 255 G = 0 B = 0–255 W = 0
		201	Magenta R = 255 G = 0 B = 255 W = 0
		202 ⇔ 238	- rouge R = 255–0 G = 0 B = 255 W = 0
		239	Bleu R = 0 G = 0 B = 255 W = 0
		240 ⇔ 247	Changement de couleur, rapide à lent
248 ⇔ 255	Saut de couleur, rapide à lent		

Canal	Fonction	Valeur	Pourcentage/Paramétrage
10	Couleur du faisceau	000	Pas de fonction
		001 ⇔ 002	2700K R = 156 G = 118 B = 0 W = 63
		003 ⇔ 004	3200K R = 156 G = 141 B = 5 W = 89
		005 ⇔ 006	4200K R = 156 G = 141 B = 14 W = 255
		007 ⇔ 008	5600K R = 156 G = 207 B = 54 W = 255
		009 ⇔ 010	8000K R = 130 G = 255 B = 96 W = 255
		011	Bleu R = 0 G = 0 B = 255 W = 0
		012 ⇔ 048	+ vert R = 0 G = 0-255 B = 255 W = 0
		049	Cyan R = 0 G = 255 B = 255 W = 0
		050 ⇔ 086	- bleu R = 0 G = 255 B = 255-0 W = 0
		087	Vert R = 0 G = 255 B = 0 W = 0
		088 ⇔ 124	+ rouge R = 0-255 G = 255 B = 0 W = 0
		125	Jaune R = 255 G = 255 B = 0 W = 0
		126 ⇔ 162	- vert R = 255 G = 255-0 B = 0 W = 0
		163	Rouge R = 255 G = 0 B = 0 W = 0
		164 ⇔ 200	+ bleu R = 255 G = 0 B = 0-255 W = 0
		201	Magenta R = 255 G = 0 B = 255 W = 0
		202 ⇔ 238	- rouge R = 255-0 G = 0 B = 255 W = 0
		239	Bleu R = 0 G = 0 B = 255 W = 0
		240 ⇔ 247	Changement de couleur, rapide à lent
248 ⇔ 255	Saut de couleur, rapide à lent		
11	Gobo	000	Pas de fonction
		001 ⇔ 255	Gobos (indexé)
12	Macro LED / Programme Automatique	000 ⇔ 015	Pas de fonction
		016 ⇔ 135	Macros LED
		136 ⇔ 255	Programmes automatique
13	Vitesse pour Macro LED / Programme Automatique	000 ⇔ 127	Rapide à lent, sens horaire
		128	Attente
		129 ⇔ 255	Lent à rapide, dans le sens antihoraire
14	Décalage interne LED	000 ⇔ 255	Rapide à lent
15	Couleur de l'arrière plan	000	Pas de fonction
		001 ⇔ 002	2700K R = 156 G = 118 B = 0 W = 63
		003 ⇔ 004	3200K R = 156 G = 141 B = 5 W = 89
		005 ⇔ 006	4200K R = 156 G = 141 B = 14 W = 255
		007 ⇔ 008	5600K R = 156 G = 207 B = 54 W = 255
		009 ⇔ 010	8000K R = 130 G = 255 B = 96 W = 255
		011	Bleu R = 0 G = 0 B = 255 W = 0
		012 ⇔ 048	+ vert R = 0 G = 0-255 B = 255 W = 0
		049	Cyan R = 0 G = 255 B = 255 W = 0
		050 ⇔ 086	- bleu R = 0 G = 255 B = 255-0 W = 0
		087	Vert R = 0 G = 255 B = 0 W = 0
		088 ⇔ 124	+ rouge R = 0-255 G = 255 B = 0 W = 0
		125	Jaune R = 255 G = 255 B = 0 W = 0
		126 ⇔ 162	- vert R = 255 G = 255-0 B = 0 W = 0
		163	Rouge R = 255 G = 0 B = 0 W = 0
		164 ⇔ 200	+ bleu R = 255 G = 0 B = 0-255 W = 0
		201	Magenta R = 255 G = 0 B = 255 W = 0
		202 ⇔ 238	- rouge R = 255-0 G = 0 B = 255 W = 0
		239	Bleu R = 0 G = 0 B = 255 W = 0
		240 ⇔ 247	Changement de couleur, rapide à lent
248 ⇔ 255	Saut de couleur, rapide à lent		
16	Gradateur de l'arrière plan	000 ⇔ 255	0-100%
17	Gradateur de l'anneau	000 ⇔ 255	0-100%
18	Gradateur du faisceau	000 ⇔ 255	0-100%

Canal	Fonction	Valeur	Pourcentage/Paramétrage
19	Obturbateur de l'anneau	000 ⇔ 019	Arrêt
		020 ⇔ 024	Marche
		025 ⇔ 069	Stroboscope, rapide à lent
		070 ⇔ 089	Stroboscope 100–0%, rapide à lent
		090 ⇔ 109	Stroboscope 0–100%, rapide à lent
		110 ⇔ 129	Stroboscope aléatoire, rapide à lent
		130 ⇔ 149	Stroboscope aléatoire 100–0%, rapide à lent
		150 ⇔ 169	Stroboscope aléatoire 0–100%, rapide à lent
		170 ⇔ 189	Stroboscope pulsation, rapide à lent
		190 ⇔ 209	Stroboscope pulsation aléatoire, rapide à lent
		210 ⇔ 229	Stroboscope 0–100–0%, rapide à lent
		230 ⇔ 244	Stroboscope pulsation aléatoire, rapide à lent
245 ⇔ 255	Marche		
20	Obturbateur du faisceau	000 ⇔ 019	Arrêt
		020 ⇔ 024	Marche
		025 ⇔ 069	Stroboscope, rapide à lent
		070 ⇔ 089	Stroboscope 100–0%, rapide à lent
		090 ⇔ 109	Stroboscope 0–100%, rapide à lent
		110 ⇔ 129	Stroboscope aléatoire, rapide à lent
		130 ⇔ 149	Stroboscope aléatoire 100–0%, rapide à lent
		150 ⇔ 169	Stroboscope aléatoire 0–100%, rapide à lent
		170 ⇔ 189	Stroboscope pulsation, rapide à lent
		190 ⇔ 209	Stroboscope pulsation aléatoire, rapide à lent
		210 ⇔ 229	Stroboscope 0–100–0%, rapide à lent
		230 ⇔ 244	Stroboscope pulsation aléatoire, rapide à lent
245 ⇔ 255	Marche		
21	Zoom	000 ⇔ 255	Large à étroit
22	Contrôle	000 ⇔ 009	Pas de fonction
		010 ⇔ 014	Noir général pendant le pan/tilt
		015 ⇔ 019	Réservé pour utilisation future
		020 ⇔ 024	Mode de mélange de couleur RGBW (en ajout)
		025 ⇔ 029	Mode de mélange de couleur CMY (en soustraction)
		030 ⇔ 049	Réservé pour utilisation future
		050 ⇔ 054	Réinitialisation du pan
		055 ⇔ 059	Réinitialisation du tilt
		060 ⇔ 064	Réinitialisation zoom
		065 ⇔ 069	Réservé pour utilisation future
		070 ⇔ 074	Réinitialisation totale
		075 ⇔ 109	Réservé pour utilisation future
		110 ⇔ 114	Vitesse rapide de pan/tilt
		115 ⇔ 119	Vitesse lente de pan/tilt
		120 ⇔ 124	Mode de vitesse ventilateur lente
		125 ⇔ 129	Mode de vitesse ventilateur plein régime
		130 ⇔ 134	Mode de vitesse ventilateur automatique
135 ⇔ 139	Mode de vitesse de gradation rapide		
140 ⇔ 144	Mode de vitesse de gradation lente		
145 ⇔ 255	Réservé pour utilisation future		
23	Rouge principal	000 ⇔ 255	Mode RGBW: 0–100% / Mode CMY: 100–0%
24	Vert principal	000 ⇔ 255	Mode RGBW: 0–100% / Mode CMY: 100–0%
25	Bleu principal	000 ⇔ 255	Mode RGBW: 0–100% / Mode CMY: 100–0%
26	Blanc principal	000 ⇔ 255	Mode RGBW: 0–100% / Mode CMY: 100–0%

Valeurs “Dual Control” (Movement)

“Dual Control”: Mode “Advanced Movement” (41Ch)

Canal	Fonction	Valeur	Pourcentage/Paramétrage
1	Pan (balayage)	000 ⇔ 255	0–100%
2	Pan fin	000 ⇔ 255	0–100%
3	Tilt (basculement)	000 ⇔ 255	0–100%
4	Tilt fin	000 ⇔ 255	0–100%
5	Pan en continu	000	Pas de fonction
		001 ⇔ 127	Pan en continu, rapide à lent
		128	Pas de fonction
		129 ⇔ 255	Pan en continu inversé, lent à rapide
6	Tilt en continu	000	Pas de fonction
		001 ⇔ 127	Tilt en continu, rapide à lent
		128	Pas de fonction
		129 ⇔ 255	Tilt en continu inversé, lent à rapide
7	Vitesse Pan/Tilt	000 ⇔ 255	Rapide à lent
8	CTC	000	Pas de fonction
		001 ⇔ 255	Température de couleur, 2800–10000 K
9	Couleur de l'anneau	000	Pas de fonction
		001 ⇔ 002	2700K R = 156 G = 118 B = 0 W = 63
		003 ⇔ 004	3200K R = 156 G = 141 B = 5 W = 89
		005 ⇔ 006	4200K R = 156 G = 141 B = 14 W = 255
		007 ⇔ 008	5600K R = 156 G = 207 B = 54 W = 255
		009 ⇔ 010	8000K R = 130 G = 255 B = 96 W = 255
		011	Bleu R = 0 G = 0 B = 255 W = 0
		012 ⇔ 048	+ vert R = 0 G = 0–255 B = 255 W = 0
		049	Cyan R = 0 G = 255 B = 255 W = 0
		050 ⇔ 086	- bleu R = 0 G = 255 B = 255–0 W = 0
		087	Vert R = 0 G = 255 B = 0 W = 0
		088 ⇔ 124	+ rouge R = 0–255 G = 255 B = 0 W = 0
		125	Jaune R = 255 G = 255 B = 0 W = 0
		126 ⇔ 162	- vert R = 255 G = 255–0 B = 0 W = 0
		163	Rouge R = 255 G = 0 B = 0 W = 0
		164 ⇔ 200	+ bleu R = 255 G = 0 B = 0–255 W = 0
		201	Magenta R = 255 G = 0 B = 255 W = 0
		202 ⇔ 238	- rouge R = 255–0 G = 0 B = 255 W = 0
		239	Bleu R = 0 G = 0 B = 255 W = 0
		240 ⇔ 247	Changement de couleur, rapide à lent
248 ⇔ 255	Saut de couleur, rapide à lent		

Canal	Fonction	Valeur	Pourcentage/Paramétrage
10	Couleur du faisceau	000	Pas de fonction
		001 ⇔ 002	2700K R = 156 G = 118 B = 0 W = 63
		003 ⇔ 004	3200K R = 156 G = 141 B = 5 W = 89
		005 ⇔ 006	4200K R = 156 G = 141 B = 14 W = 255
		007 ⇔ 008	5600K R = 156 G = 207 B = 54 W = 255
		009 ⇔ 010	8000K R = 130 G = 255 B = 96 W = 255
		011	Bleu R = 0 G = 0 B = 255 W = 0
		012 ⇔ 048	+ vert R = 0 G = 0-255 B = 255 W = 0
		049	Cyan R = 0 G = 255 B = 255 W = 0
		050 ⇔ 086	- bleu R = 0 G = 255 B = 255-0 W = 0
		087	Vert R = 0 G = 255 B = 0 W = 0
		088 ⇔ 124	+ rouge R = 0-255 G = 255 B = 0 W = 0
		125	Jaune R = 255 G = 255 B = 0 W = 0
		126 ⇔ 162	- vert R = 255 G = 255-0 B = 0 W = 0
		163	Rouge R = 255 G = 0 B = 0 W = 0
		164 ⇔ 200	+ bleu R = 255 G = 0 B = 0-255 W = 0
		201	Magenta R = 255 G = 0 B = 255 W = 0
		202 ⇔ 238	- rouge R = 255-0 G = 0 B = 255 W = 0
		239	Bleu R = 0 G = 0 B = 255 W = 0
		240 ⇔ 247	Changement de couleur, rapide à lent
248 ⇔ 255	Saut de couleur, rapide à lent		
11	Gobo	000	Pas de fonction
		001 ⇔ 255	Gobos (indexé)
12	Macro LED / Programme Automatique	000 ⇔ 015	Pas de fonction
		016 ⇔ 135	Macros LED
		136 ⇔ 255	Programmes automatique
13	Vitesse pour Macro LED / Programme Automatique	000 ⇔ 127	Rapide à lent, sens horaire
		128	Attente
		129 ⇔ 255	Lent à rapide, dans le sens antihoraire
14	Décalage interne LED	000 ⇔ 255	Rapide à lent
15	Couleur de l'arrière plan	000	Pas de fonction
		001 ⇔ 002	2700K R = 156 G = 118 B = 0 W = 63
		003 ⇔ 004	3200K R = 156 G = 141 B = 5 W = 89
		005 ⇔ 006	4200K R = 156 G = 141 B = 14 W = 255
		007 ⇔ 008	5600K R = 156 G = 207 B = 54 W = 255
		009 ⇔ 010	8000K R = 130 G = 255 B = 96 W = 255
		011	Bleu R = 0 G = 0 B = 255 W = 0
		012 ⇔ 048	+ vert R = 0 G = 0-255 B = 255 W = 0
		049	Cyan R = 0 G = 255 B = 255 W = 0
		050 ⇔ 086	- bleu R = 0 G = 255 B = 255-0 W = 0
		087	Vert R = 0 G = 255 B = 0 W = 0
		088 ⇔ 124	+ rouge R = 0-255 G = 255 B = 0 W = 0
		125	Jaune R = 255 G = 255 B = 0 W = 0
		126 ⇔ 162	- vert R = 255 G = 255-0 B = 0 W = 0
		163	Rouge R = 255 G = 0 B = 0 W = 0
		164 ⇔ 200	+ bleu R = 255 G = 0 B = 0-255 W = 0
		201	Magenta R = 255 G = 0 B = 255 W = 0
		202 ⇔ 238	- rouge R = 255-0 G = 0 B = 255 W = 0
		239	Bleu R = 0 G = 0 B = 255 W = 0
		240 ⇔ 247	Changement de couleur, rapide à lent
248 ⇔ 255	Saut de couleur, rapide à lent		
16	Gradateur de l'arrière plan	000 ⇔ 255	0-100%
17	Gradateur fin de l'arrière plan	000 ⇔ 255	0-100%
18	Gradateur de l'anneau	000 ⇔ 255	0-100%
19	Gradateur fin de l'anneau	000 ⇔ 255	0-100%

Canal	Fonction	Valeur	Pourcentage/Paramétrage
20	Gradateur du faisceau	000 ⇔ 255	0–100%
21	Gradateur fin du faisceau	000 ⇔ 255	0–100%
22	Obturateur de l'anneau	000 ⇔ 019	Arrêt
		020 ⇔ 024	Marche
		025 ⇔ 069	Stroboscope, rapide à lent
		070 ⇔ 089	Stroboscope 100–0%, rapide à lent
		090 ⇔ 109	Stroboscope 0–100%, rapide à lent
		110 ⇔ 129	Stroboscope aléatoire, rapide à lent
		130 ⇔ 149	Stroboscope aléatoire 100–0%, rapide à lent
		150 ⇔ 169	Stroboscope aléatoire 0–100%, rapide à lent
		170 ⇔ 189	Stroboscope pulsation, rapide à lent
		190 ⇔ 209	Stroboscope pulsation aléatoire, rapide à lent
		210 ⇔ 229	Stroboscope 0–100–0%, rapide à lent
		230 ⇔ 244	Stroboscope pulsation aléatoire, rapide à lent
245 ⇔ 255	Marche		
23	Obturateur du faisceau	000 ⇔ 019	Arrêt
		020 ⇔ 024	Marche
		025 ⇔ 069	Stroboscope, rapide à lent
		070 ⇔ 089	Stroboscope 100–0%, rapide à lent
		090 ⇔ 109	Stroboscope 0–100%, rapide à lent
		110 ⇔ 129	Stroboscope aléatoire, rapide à lent
		130 ⇔ 149	Stroboscope aléatoire 100–0%, rapide à lent
		150 ⇔ 169	Stroboscope aléatoire 0–100%, rapide à lent
		170 ⇔ 189	Stroboscope pulsation, rapide à lent
		190 ⇔ 209	Stroboscope pulsation aléatoire, rapide à lent
		210 ⇔ 229	Stroboscope 0–100–0%, rapide à lent
		230 ⇔ 244	Stroboscope pulsation aléatoire, rapide à lent
245 ⇔ 255	Marche		
24	Zoom	000 ⇔ 255	Large à étroit
25	Contrôle	000 ⇔ 009	Pas de fonction
		010 ⇔ 014	Noir général pendant le pan/tilt
		015 ⇔ 019	Réservé pour utilisation future
		020 ⇔ 024	Mode de mélange de couleur RGBW (en ajout)
		025 ⇔ 029	Mode de mélange de couleur CMY (en soustraction)
		030 ⇔ 049	Réservé pour utilisation future
		050 ⇔ 054	Réinitialisation du pan
		055 ⇔ 059	Réinitialisation du tilt
		060 ⇔ 064	Réinitialisation zoom
		065 ⇔ 069	Réservé pour utilisation future
		070 ⇔ 074	Réinitialisation totale
		075 ⇔ 109	Réservé pour utilisation future
		110 ⇔ 114	Vitesse rapide de pan/tilt
		115 ⇔ 119	Vitesse lente de pan/tilt
		120 ⇔ 124	Mode de vitesse ventilateur lente
		125 ⇔ 129	Mode de vitesse ventilateur plein régime
		130 ⇔ 134	Mode de vitesse ventilateur automatique
135 ⇔ 139	Mode de vitesse de gradation rapide		
140 ⇔ 144	Mode de vitesse de gradation lente		
145 ⇔ 255	Réservé pour utilisation future		
26	Anneau rouge	000 ⇔ 255	Mode RGBW: 0–100% / Mode CMY: 100–0%
27	Anneau rouge fin	000 ⇔ 255	Mode RGBW: 0–100% / Mode CMY: 100–0%
28	Faisceau rouge	000 ⇔ 255	Mode RGBW: 0–100% / Mode CMY: 100–0%
29	Faisceau rouge fin	000 ⇔ 255	Mode RGBW: 0–100% / Mode CMY: 100–0%
30	Anneau vert	000 ⇔ 255	Mode RGBW: 0–100% / Mode CMY: 100–0%
31	Anneau vert fin	000 ⇔ 255	Mode RGBW: 0–100% / Mode CMY: 100–0%

Canal	Fonction	Valeur	Pourcentage/Paramétrage
32	Faisceau vert	000 ⇔ 255	Mode RGBW: 0–100% / Mode CMY: 100–0%
33	Faisceau vert fin	000 ⇔ 255	Mode RGBW: 0–100% / Mode CMY: 100–0%
34	Anneau bleu	000 ⇔ 255	Mode RGBW: 0–100% / Mode CMY: 100–0%
35	Anneau bleu fin	000 ⇔ 255	Mode RGBW: 0–100% / Mode CMY: 100–0%
36	Faisceau bleu	000 ⇔ 255	Mode RGBW: 0–100% / Mode CMY: 100–0%
37	Faisceau bleu fin	000 ⇔ 255	Mode RGBW: 0–100% / Mode CMY: 100–0%
38	Anneau blanc	000 ⇔ 255	Mode RGBW: 0–100% / Mode CMY: 100–0%
39	Anneau blanc fin	000 ⇔ 255	Mode RGBW: 0–100% / Mode CMY: 100–0%
40	Faisceau blanc	000 ⇔ 255	Mode RGBW: 0–100% / Mode CMY: 100–0%
41	Faisceau blanc fin	000 ⇔ 255	Mode RGBW: 0–100% / Mode CMY: 100–0%

“Dual Control”: Mode “Standard Movement” (30Ch)

Canal	Fonction	Valeur	Pourcentage/Paramétrage
1	Pan (balayage)	000 ⇔ 255	0–100%
2	Pan fin	000 ⇔ 255	0–100%
3	Tilt (basculement)	000 ⇔ 255	0–100%
4	Tilt fin	000 ⇔ 255	0–100%
5	Pan en continu	000	Pas de fonction
		001 ⇔ 127	Pan en continu, rapide à lent
		128	Pas de fonction
		129 ⇔ 255	Pan en continu inversé, lent à rapide
6	Tilt en continu	000	Pas de fonction
		001 ⇔ 127	Tilt en continu, rapide à lent
		128	Pas de fonction
		129 ⇔ 255	Tilt en continu inversé, lent à rapide
7	Vitesse Pan/Tilt	000 ⇔ 255	Rapide à lent
8	CTC	000	Pas de fonction
		001 ⇔ 255	Température de couleur, 2800–10000 K
9	Couleur de l'anneau	000	Pas de fonction
		001 ⇔ 002	2700K R = 156 G = 118 B = 0 W = 63
		003 ⇔ 004	3200K R = 156 G = 141 B = 5 W = 89
		005 ⇔ 006	4200K R = 156 G = 141 B = 14 W = 255
		007 ⇔ 008	5600K R = 156 G = 207 B = 54 W = 255
		009 ⇔ 010	8000K R = 130 G = 255 B = 96 W = 255
		011	Bleu R = 0 G = 0 B = 255 W = 0
		012 ⇔ 048	+ vert R = 0 G = 0–255 B = 255 W = 0
		049	Cyan R = 0 G = 255 B = 255 W = 0
		050 ⇔ 086	- bleu R = 0 G = 255 B = 255–0 W = 0
		087	Vert R = 0 G = 255 B = 0 W = 0
		088 ⇔ 124	+ rouge R = 0–255 G = 255 B = 0 W = 0
		125	Jaune R = 255 G = 255 B = 0 W = 0
		126 ⇔ 162	- vert R = 255 G = 255–0 B = 0 W = 0
		163	Rouge R = 255 G = 0 B = 0 W = 0
		164 ⇔ 200	+ bleu R = 255 G = 0 B = 0–255 W = 0
		201	Magenta R = 255 G = 0 B = 255 W = 0
		202 ⇔ 238	- rouge R = 255–0 G = 0 B = 255 W = 0
		239	Bleu R = 0 G = 0 B = 255 W = 0
		240 ⇔ 247	Changement de couleur, rapide à lent
248 ⇔ 255	Saut de couleur, rapide à lent		

Canal	Fonction	Valeur	Pourcentage/Paramétrage				
10	Couleur du faisceau	000	Pas de fonction				
		001 ⇔ 002	2700K	R = 156	G = 118	B = 0	W = 63
		003 ⇔ 004	3200K	R = 156	G = 141	B = 5	W = 89
		005 ⇔ 006	4200K	R = 156	G = 141	B = 14	W = 255
		007 ⇔ 008	5600K	R = 156	G = 207	B = 54	W = 255
		009 ⇔ 010	8000K	R = 130	G = 255	B = 96	W = 255
		011	Bleu	R = 0	G = 0	B = 255	W = 0
		012 ⇔ 048	+ vert	R = 0	G = 0-255	B = 255	W = 0
		049	Cyan	R = 0	G = 255	B = 255	W = 0
		050 ⇔ 086	- bleu	R = 0	G = 255	B = 255-0	W = 0
		087	Vert	R = 0	G = 255	B = 0	W = 0
		088 ⇔ 124	+ rouge	R = 0-255	G = 255	B = 0	W = 0
		125	Jaune	R = 255	G = 255	B = 0	W = 0
		126 ⇔ 162	- vert	R = 255	G = 255-0	B = 0	W = 0
		163	Rouge	R = 255	G = 0	B = 0	W = 0
		164 ⇔ 200	+ bleu	R = 255	G = 0	B = 0-255	W = 0
		201	Magenta	R = 255	G = 0	B = 255	W = 0
		202 ⇔ 238	- rouge	R = 255-0	G = 0	B = 255	W = 0
		239	Bleu	R = 0	G = 0	B = 255	W = 0
		240 ⇔ 247	Changement de couleur, rapide à lent				
248 ⇔ 255	Saut de couleur, rapide à lent						
11	Gobo	000	Pas de fonction				
		001 ⇔ 255	Gobos (indexé)				
12	Macro LED / Programme Automatique	000 ⇔ 015	Pas de fonction				
		016 ⇔ 135	Macros LED				
		136 ⇔ 255	Programmes automatique				
13	Vitesse pour Macro LED / Programme Automatique	000 ⇔ 127	Rapide à lent, sens horaire				
		128	Attente				
		129 ⇔ 255	Lent à rapide, dans le sens antihoraire				
14	Décalage interne LED	000 ⇔ 255	Rapide à lent				
15	Couleur de l'arrière plan	000	Pas de fonction				
		001 ⇔ 002	2700K	R = 156	G = 118	B = 0	W = 63
		003 ⇔ 004	3200K	R = 156	G = 141	B = 5	W = 89
		005 ⇔ 006	4200K	R = 156	G = 141	B = 14	W = 255
		007 ⇔ 008	5600K	R = 156	G = 207	B = 54	W = 255
		009 ⇔ 010	8000K	R = 130	G = 255	B = 96	W = 255
		011	Bleu	R = 0	G = 0	B = 255	W = 0
		012 ⇔ 048	+ vert	R = 0	G = 0-255	B = 255	W = 0
		049	Cyan	R = 0	G = 255	B = 255	W = 0
		050 ⇔ 086	- bleu	R = 0	G = 255	B = 255-0	W = 0
		087	Vert	R = 0	G = 255	B = 0	W = 0
		088 ⇔ 124	+ rouge	R = 0-255	G = 255	B = 0	W = 0
		125	Jaune	R = 255	G = 255	B = 0	W = 0
		126 ⇔ 162	- vert	R = 255	G = 255-0	B = 0	W = 0
		163	Rouge	R = 255	G = 0	B = 0	W = 0
		164 ⇔ 200	+ bleu	R = 255	G = 0	B = 0-255	W = 0
		201	Magenta	R = 255	G = 0	B = 255	W = 0
		202 ⇔ 238	- rouge	R = 255-0	G = 0	B = 255	W = 0
		239	Bleu	R = 0	G = 0	B = 255	W = 0
		240 ⇔ 247	Changement de couleur, rapide à lent				
248 ⇔ 255	Saut de couleur, rapide à lent						
16	Gradateur de l'arrière plan	000 ⇔ 255	0-100%				
17	Gradateur de l'anneau	000 ⇔ 255	0-100%				
18	Gradateur du faisceau	000 ⇔ 255	0-100%				

Canal	Fonction	Valeur	Pourcentage/Paramétrage
19	Obturbateur de l'anneau	000 ⇔ 019	Arrêt
		020 ⇔ 024	Marche
		025 ⇔ 069	Stroboscope, rapide à lent
		070 ⇔ 089	Stroboscope 100–0%, rapide à lent
		090 ⇔ 109	Stroboscope 0–100%, rapide à lent
		110 ⇔ 129	Stroboscope aléatoire, rapide à lent
		130 ⇔ 149	Stroboscope aléatoire 100–0%, rapide à lent
		150 ⇔ 169	Stroboscope aléatoire 0–100%, rapide à lent
		170 ⇔ 189	Stroboscope pulsation, rapide à lent
		190 ⇔ 209	Stroboscope pulsation aléatoire, rapide à lent
		210 ⇔ 229	Stroboscope 0–100–0%, rapide à lent
		230 ⇔ 244	Stroboscope pulsation aléatoire, rapide à lent
245 ⇔ 255	Marche		
20	Obturbateur du faisceau	000 ⇔ 019	Arrêt
		020 ⇔ 024	Marche
		025 ⇔ 069	Stroboscope, rapide à lent
		070 ⇔ 089	Stroboscope 100–0%, rapide à lent
		090 ⇔ 109	Stroboscope 0–100%, rapide à lent
		110 ⇔ 129	Stroboscope aléatoire, rapide à lent
		130 ⇔ 149	Stroboscope aléatoire 100–0%, rapide à lent
		150 ⇔ 169	Stroboscope aléatoire 0–100%, rapide à lent
		170 ⇔ 189	Stroboscope pulsation, rapide à lent
		190 ⇔ 209	Stroboscope pulsation aléatoire, rapide à lent
		210 ⇔ 229	Stroboscope 0–100–0%, rapide à lent
		230 ⇔ 244	Stroboscope pulsation aléatoire, rapide à lent
245 ⇔ 255	Marche		
21	Zoom	000 ⇔ 255	Large à étroit
22	Contrôle	000 ⇔ 009	Pas de fonction
		010 ⇔ 014	Noir général pendant le pan/tilt
		015 ⇔ 019	Réservé pour utilisation future
		020 ⇔ 024	Mode de mélange de couleur RGBW (en ajout)
		025 ⇔ 029	Mode de mélange de couleur CMY (en soustraction)
		030 ⇔ 049	Réservé pour utilisation future
		050 ⇔ 054	Réinitialisation du pan
		055 ⇔ 059	Réinitialisation du tilt
		060 ⇔ 064	Réinitialisation zoom
		065 ⇔ 069	Réservé pour utilisation future
		070 ⇔ 074	Réinitialisation totale
		075 ⇔ 109	Réservé pour utilisation future
		110 ⇔ 114	Vitesse rapide de pan/tilt
		115 ⇔ 119	Vitesse lente de pan/tilt
		120 ⇔ 124	Mode de vitesse ventilateur lente
		125 ⇔ 129	Mode de vitesse ventilateur plein régime
		130 ⇔ 134	Mode de vitesse ventilateur automatique
135 ⇔ 139	Mode de vitesse de gradation rapide		
140 ⇔ 144	Mode de vitesse de gradation lente		
145 ⇔ 255	Réservé pour utilisation future		
23	Anneau rouge	000 ⇔ 255	Mode RGBW: 0–100% / Mode CMY: 100–0%
24	Faisceau rouge	000 ⇔ 255	Mode RGBW: 0–100% / Mode CMY: 100–0%
25	Anneau vert	000 ⇔ 255	Mode RGBW: 0–100% / Mode CMY: 100–0%
26	Faisceau vert	000 ⇔ 255	Mode RGBW: 0–100% / Mode CMY: 100–0%
27	Anneau bleu	000 ⇔ 255	Mode RGBW: 0–100% / Mode CMY: 100–0%
28	Faisceau bleu	000 ⇔ 255	Mode RGBW: 0–100% / Mode CMY: 100–0%
29	Anneau blanc	000 ⇔ 255	Mode RGBW: 0–100% / Mode CMY: 100–0%
30	Faisceau blanc	000 ⇔ 255	Mode RGBW: 0–100% / Mode CMY: 100–0%

“Dual Control” : Mode “Basic Movement” (13Ch)

Canal	Fonction	Valeur	Pourcentage/Paramétrage
1	Pan (balayage)	000 ⇔ 255	0–100%
2	Pan fin	000 ⇔ 255	0–100%
3	Tilt (basculement)	000 ⇔ 255	0–100%
4	Tilt fin	000 ⇔ 255	0–100%
5	Pan en continu	000	Pas de fonction
		001 ⇔ 127	Pan en continu, rapide à lent
		128	Pas de fonction
		129 ⇔ 255	Pan en continu inversé, lent à rapide
6	Tilt en continu	000	Pas de fonction
		001 ⇔ 127	Tilt en continu, rapide à lent
		128	Pas de fonction
		129 ⇔ 255	Tilt en continu inversé, lent à rapide
7	Vitesse Pan/Tilt	000 ⇔ 255	Rapide à lent
8	Gradateur de l'anneau	000 ⇔ 255	0–100%
9	Gradateur du faisceau	000 ⇔ 255	0–100%
10	Obturateur de l'anneau	000 ⇔ 019	Arrêt
		020 ⇔ 024	Marche
		025 ⇔ 069	Stroboscope, rapide à lent
		070 ⇔ 089	Stroboscope 100–0%, rapide à lent
		090 ⇔ 109	Stroboscope 0–100%, rapide à lent
		110 ⇔ 129	Stroboscope aléatoire, rapide à lent
		130 ⇔ 149	Stroboscope aléatoire 100–0%, rapide à lent
		150 ⇔ 169	Stroboscope aléatoire 0–100%, rapide à lent
		170 ⇔ 189	Stroboscope pulsation, rapide à lent
		190 ⇔ 209	Stroboscope pulsation aléatoire, rapide à lent
		210 ⇔ 229	Stroboscope 0–100–0%, rapide à lent
		230 ⇔ 244	Stroboscope pulsation aléatoire, rapide à lent
245 ⇔ 255	Marche		
11	Obturateur du faisceau	000 ⇔ 019	Arrêt
		020 ⇔ 024	Marche
		025 ⇔ 069	Stroboscope, rapide à lent
		070 ⇔ 089	Stroboscope 100–0%, rapide à lent
		090 ⇔ 109	Stroboscope 0–100%, rapide à lent
		110 ⇔ 129	Stroboscope aléatoire, rapide à lent
		130 ⇔ 149	Stroboscope aléatoire 100–0%, rapide à lent
		150 ⇔ 169	Stroboscope aléatoire 0–100%, rapide à lent
		170 ⇔ 189	Stroboscope pulsation, rapide à lent
		190 ⇔ 209	Stroboscope pulsation aléatoire, rapide à lent
		210 ⇔ 229	Stroboscope 0–100–0%, rapide à lent
		230 ⇔ 244	Stroboscope pulsation aléatoire, rapide à lent
245 ⇔ 255	Marche		
12	Zoom	000 ⇔ 255	Large à étroit

Canal	Fonction	Valeur	Pourcentage/Paramétrage
13	Contrôle	000 ⇔ 009	Pas de fonction
		010 ⇔ 014	Noir général pendant le pan/tilt
		015 ⇔ 019	Réservé pour utilisation future
		020 ⇔ 024	Mode de mélange de couleur RGBW (en ajout)
		025 ⇔ 029	Mode de mélange de couleur CMY (en soustraction)
		030 ⇔ 049	Réservé pour utilisation future
		050 ⇔ 054	Réinitialisation du pan
		055 ⇔ 059	Réinitialisation du tilt
		060 ⇔ 064	Réinitialisation zoom
		065 ⇔ 069	Réservé pour utilisation future
		070 ⇔ 074	Réinitialisation totale
		075 ⇔ 109	Réservé pour utilisation future
		110 ⇔ 114	Vitesse rapide de pan/tilt
		115 ⇔ 119	Vitesse lente de pan/tilt
		120 ⇔ 124	Mode de vitesse ventilateur lente
		125 ⇔ 129	Mode de vitesse ventilateur plein régime
		130 ⇔ 134	Mode de vitesse ventilateur automatique
		135 ⇔ 139	Mode de vitesse de gradation rapide
		140 ⇔ 144	Mode de vitesse de gradation lente
		145 ⇔ 255	Réservé pour utilisation future

Valeurs “Dual Control” (Pixels)
“Dual Control”: Mode “Advanced Pixels” (80Ch)

Canal	Fonction	Valeur	Pourcentage/Paramétrage
1	Rouge 1	000 ⇔ 255	Mode RGBW: 0–100% / Mode CMY: 100–0%
2	Rouge fin 1	000 ⇔ 255	Mode RGBW: 0–100% / Mode CMY: 100–0%
3	Vert 1	000 ⇔ 255	Mode RGBW: 0–100% / Mode CMY: 100–0%
4	Vert fin 1	000 ⇔ 255	Mode RGBW: 0–100% / Mode CMY: 100–0%
5	Bleu 1	000 ⇔ 255	Mode RGBW: 0–100% / Mode CMY: 100–0%
6	Bleu fin 1	000 ⇔ 255	Mode RGBW: 0–100% / Mode CMY: 100–0%
7	Blanc 1	000 ⇔ 255	Mode RGBW: 0–100% / Mode CMY: 100–0%
8	Blanc fin 1	000 ⇔ 255	Mode RGBW: 0–100% / Mode CMY: 100–0%
9	Rouge 2	000 ⇔ 255	Mode RGBW: 0–100% / Mode CMY: 100–0%
10	Rouge fin 2	000 ⇔ 255	Mode RGBW: 0–100% / Mode CMY: 100–0%
11	Vert 2	000 ⇔ 255	Mode RGBW: 0–100% / Mode CMY: 100–0%
12	Vert fin 2	000 ⇔ 255	Mode RGBW: 0–100% / Mode CMY: 100–0%
13	Bleu 2	000 ⇔ 255	Mode RGBW: 0–100% / Mode CMY: 100–0%
14	Bleu fin 2	000 ⇔ 255	Mode RGBW: 0–100% / Mode CMY: 100–0%
15	Blanc 2	000 ⇔ 255	Mode RGBW: 0–100% / Mode CMY: 100–0%
16	Blanc fin 2	000 ⇔ 255	Mode RGBW: 0–100% / Mode CMY: 100–0%
17	Rouge 3	000 ⇔ 255	Mode RGBW: 0–100% / Mode CMY: 100–0%
18	Rouge fin 3	000 ⇔ 255	Mode RGBW: 0–100% / Mode CMY: 100–0%
19	Vert 3	000 ⇔ 255	Mode RGBW: 0–100% / Mode CMY: 100–0%
20	Vert fin 3	000 ⇔ 255	Mode RGBW: 0–100% / Mode CMY: 100–0%
21	Bleu 3	000 ⇔ 255	Mode RGBW: 0–100% / Mode CMY: 100–0%
22	Bleu fin 3	000 ⇔ 255	Mode RGBW: 0–100% / Mode CMY: 100–0%
23	Blanc 3	000 ⇔ 255	Mode RGBW: 0–100% / Mode CMY: 100–0%
24	Blanc fin 3	000 ⇔ 255	Mode RGBW: 0–100% / Mode CMY: 100–0%
25	Rouge 4	000 ⇔ 255	Mode RGBW: 0–100% / Mode CMY: 100–0%
26	Rouge fin 4	000 ⇔ 255	Mode RGBW: 0–100% / Mode CMY: 100–0%
27	Vert 4	000 ⇔ 255	Mode RGBW: 0–100% / Mode CMY: 100–0%
28	Vert fin 4	000 ⇔ 255	Mode RGBW: 0–100% / Mode CMY: 100–0%
29	Bleu 4	000 ⇔ 255	Mode RGBW: 0–100% / Mode CMY: 100–0%
30	Bleu fin 4	000 ⇔ 255	Mode RGBW: 0–100% / Mode CMY: 100–0%
31	Blanc 4	000 ⇔ 255	Mode RGBW: 0–100% / Mode CMY: 100–0%
32	Blanc fin 4	000 ⇔ 255	Mode RGBW: 0–100% / Mode CMY: 100–0%
33	Rouge 5	000 ⇔ 255	Mode RGBW: 0–100% / Mode CMY: 100–0%
34	Rouge fin 5	000 ⇔ 255	Mode RGBW: 0–100% / Mode CMY: 100–0%
35	Vert 5	000 ⇔ 255	Mode RGBW: 0–100% / Mode CMY: 100–0%
36	Vert fin 5	000 ⇔ 255	Mode RGBW: 0–100% / Mode CMY: 100–0%
37	Bleu 5	000 ⇔ 255	Mode RGBW: 0–100% / Mode CMY: 100–0%
38	Bleu fin 5	000 ⇔ 255	Mode RGBW: 0–100% / Mode CMY: 100–0%
39	Blanc 5	000 ⇔ 255	Mode RGBW: 0–100% / Mode CMY: 100–0%
40	Blanc fin 5	000 ⇔ 255	Mode RGBW: 0–100% / Mode CMY: 100–0%
41	Rouge 6	000 ⇔ 255	Mode RGBW: 0–100% / Mode CMY: 100–0%
42	Rouge fin 6	000 ⇔ 255	Mode RGBW: 0–100% / Mode CMY: 100–0%
43	Vert 6	000 ⇔ 255	Mode RGBW: 0–100% / Mode CMY: 100–0%
44	Vert fin 6	000 ⇔ 255	Mode RGBW: 0–100% / Mode CMY: 100–0%
45	Bleu 6	000 ⇔ 255	Mode RGBW: 0–100% / Mode CMY: 100–0%
46	Bleu fin 6	000 ⇔ 255	Mode RGBW: 0–100% / Mode CMY: 100–0%
47	Blanc 6	000 ⇔ 255	Mode RGBW: 0–100% / Mode CMY: 100–0%
48	Blanc fin 6	000 ⇔ 255	Mode RGBW: 0–100% / Mode CMY: 100–0%
49	Rouge 7	000 ⇔ 255	Mode RGBW: 0–100% / Mode CMY: 100–0%
50	Rouge fin 7	000 ⇔ 255	Mode RGBW: 0–100% / Mode CMY: 100–0%
51	Vert 7	000 ⇔ 255	Mode RGBW: 0–100% / Mode CMY: 100–0%
52	Vert fin 7	000 ⇔ 255	Mode RGBW: 0–100% / Mode CMY: 100–0%
53	Bleu 7	000 ⇔ 255	Mode RGBW: 0–100% / Mode CMY: 100–0%

Canal	Fonction	Valeur	Pourcentage/Paramétrage
54	Bleu fin 7	000 ⇔ 255	Mode RGBW: 0–100% / Mode CMY: 100–0%
55	Blanc 7	000 ⇔ 255	Mode RGBW: 0–100% / Mode CMY: 100–0%
56	Blanc fin 7	000 ⇔ 255	Mode RGBW: 0–100% / Mode CMY: 100–0%
57	Rouge 8	000 ⇔ 255	Mode RGBW: 0–100% / Mode CMY: 100–0%
58	Rouge fin 8	000 ⇔ 255	Mode RGBW: 0–100% / Mode CMY: 100–0%
59	Vert 8	000 ⇔ 255	Mode RGBW: 0–100% / Mode CMY: 100–0%
60	Vert fin 8	000 ⇔ 255	Mode RGBW: 0–100% / Mode CMY: 100–0%
61	Bleu 8	000 ⇔ 255	Mode RGBW: 0–100% / Mode CMY: 100–0%
62	Bleu fin 8	000 ⇔ 255	Mode RGBW: 0–100% / Mode CMY: 100–0%
63	Blanc 8	000 ⇔ 255	Mode RGBW: 0–100% / Mode CMY: 100–0%
64	Blanc fin 8	000 ⇔ 255	Mode RGBW: 0–100% / Mode CMY: 100–0%
65	Rouge 9	000 ⇔ 255	Mode RGBW: 0–100% / Mode CMY: 100–0%
66	Rouge fin 9	000 ⇔ 255	Mode RGBW: 0–100% / Mode CMY: 100–0%
67	Vert 9	000 ⇔ 255	Mode RGBW: 0–100% / Mode CMY: 100–0%
68	Vert fin 9	000 ⇔ 255	Mode RGBW: 0–100% / Mode CMY: 100–0%
69	Bleu 9	000 ⇔ 255	Mode RGBW: 0–100% / Mode CMY: 100–0%
70	Bleu fin 9	000 ⇔ 255	Mode RGBW: 0–100% / Mode CMY: 100–0%
71	Blanc 9	000 ⇔ 255	Mode RGBW: 0–100% / Mode CMY: 100–0%
72	Blanc fin 9	000 ⇔ 255	Mode RGBW: 0–100% / Mode CMY: 100–0%
73	Rouge 10	000 ⇔ 255	Mode RGBW: 0–100% / Mode CMY: 100–0%
74	Rouge fin 10	000 ⇔ 255	Mode RGBW: 0–100% / Mode CMY: 100–0%
75	Vert 10	000 ⇔ 255	Mode RGBW: 0–100% / Mode CMY: 100–0%
76	Vert fin 10	000 ⇔ 255	Mode RGBW: 0–100% / Mode CMY: 100–0%
77	Bleu 10	000 ⇔ 255	Mode RGBW: 0–100% / Mode CMY: 100–0%
78	Bleu fin 10	000 ⇔ 255	Mode RGBW: 0–100% / Mode CMY: 100–0%
79	Blanc 10	000 ⇔ 255	Mode RGBW: 0–100% / Mode CMY: 100–0%
80	Blanc fin 10	000 ⇔ 255	Mode RGBW: 0–100% / Mode CMY: 100–0%

“Dual Control” : Mode “Standard Pixels” (40Ch)

Canal	Fonction	Valeur	Pourcentage/Paramétrage
1	Rouge 1	000 ⇔ 255	Mode RGBW: 0–100% / Mode CMY: 100–0%
2	Vert 1	000 ⇔ 255	Mode RGBW: 0–100% / Mode CMY: 100–0%
3	Bleu 1	000 ⇔ 255	Mode RGBW: 0–100% / Mode CMY: 100–0%
4	Blanc 1	000 ⇔ 255	Mode RGBW: 0–100% / Mode CMY: 100–0%
5	Rouge 2	000 ⇔ 255	Mode RGBW: 0–100% / Mode CMY: 100–0%
6	Vert 2	000 ⇔ 255	Mode RGBW: 0–100% / Mode CMY: 100–0%
7	Bleu 2	000 ⇔ 255	Mode RGBW: 0–100% / Mode CMY: 100–0%
8	Blanc 2	000 ⇔ 255	Mode RGBW: 0–100% / Mode CMY: 100–0%
9	Rouge 3	000 ⇔ 255	Mode RGBW: 0–100% / Mode CMY: 100–0%
10	Vert3	000 ⇔ 255	Mode RGBW: 0–100% / Mode CMY: 100–0%
11	Bleu 3	000 ⇔ 255	Mode RGBW: 0–100% / Mode CMY: 100–0%
12	Blanc 3	000 ⇔ 255	Mode RGBW: 0–100% / Mode CMY: 100–0%
13	Rouge 4	000 ⇔ 255	Mode RGBW: 0–100% / Mode CMY: 100–0%
14	Vert 4	000 ⇔ 255	Mode RGBW: 0–100% / Mode CMY: 100–0%
15	Bleu 4	000 ⇔ 255	Mode RGBW: 0–100% / Mode CMY: 100–0%
16	Blanc 4	000 ⇔ 255	Mode RGBW: 0–100% / Mode CMY: 100–0%
17	Rouge 5	000 ⇔ 255	Mode RGBW: 0–100% / Mode CMY: 100–0%
18	Vert 5	000 ⇔ 255	Mode RGBW: 0–100% / Mode CMY: 100–0%
19	Bleu 5	000 ⇔ 255	Mode RGBW: 0–100% / Mode CMY: 100–0%
20	Blanc 5	000 ⇔ 255	Mode RGBW: 0–100% / Mode CMY: 100–0%
21	Rouge 6	000 ⇔ 255	Mode RGBW: 0–100% / Mode CMY: 100–0%
22	Vert 6	000 ⇔ 255	Mode RGBW: 0–100% / Mode CMY: 100–0%
23	Bleu 6	000 ⇔ 255	Mode RGBW: 0–100% / Mode CMY: 100–0%
24	Blanc 6	000 ⇔ 255	Mode RGBW: 0–100% / Mode CMY: 100–0%
25	Rouge 7	000 ⇔ 255	Mode RGBW: 0–100% / Mode CMY: 100–0%
26	Vert 7	000 ⇔ 255	Mode RGBW: 0–100% / Mode CMY: 100–0%
27	Bleu 7	000 ⇔ 255	Mode RGBW: 0–100% / Mode CMY: 100–0%
28	Blanc 7	000 ⇔ 255	Mode RGBW: 0–100% / Mode CMY: 100–0%
29	Rouge 8	000 ⇔ 255	Mode RGBW: 0–100% / Mode CMY: 100–0%
30	Vert 8	000 ⇔ 255	Mode RGBW: 0–100% / Mode CMY: 100–0%
31	Bleu 8	000 ⇔ 255	Mode RGBW: 0–100% / Mode CMY: 100–0%
32	Blanc 8	000 ⇔ 255	Mode RGBW: 0–100% / Mode CMY: 100–0%
33	Rouge 9	000 ⇔ 255	Mode RGBW: 0–100% / Mode CMY: 100–0%
34	Vert 9	000 ⇔ 255	Mode RGBW: 0–100% / Mode CMY: 100–0%
35	Bleu 9	000 ⇔ 255	Mode RGBW: 0–100% / Mode CMY: 100–0%
36	Blanc 9	000 ⇔ 255	Mode RGBW: 0–100% / Mode CMY: 100–0%
37	Rouge 10	000 ⇔ 255	Mode RGBW: 0–100% / Mode CMY: 100–0%
38	Vert10	000 ⇔ 255	Mode RGBW: 0–100% / Mode CMY: 100–0%
39	Bleu 10	000 ⇔ 255	Mode RGBW: 0–100% / Mode CMY: 100–0%
40	Blanc 10	000 ⇔ 255	Mode RGBW: 0–100% / Mode CMY: 100–0%

“Dual Control”: Mode “Basic Pixels” (30Ch)

Canal	Fonction	Valeur	Pourcentage/Paramétrage
1	Rouge 1	000 ⇔ 255	Mode RGBW: 0–100% / Mode CMY: 100–0%
2	Vert 1	000 ⇔ 255	Mode RGBW: 0–100% / Mode CMY: 100–0%
3	Bleu 1	000 ⇔ 255	Mode RGBW: 0–100% / Mode CMY: 100–0%
4	Rouge 2	000 ⇔ 255	Mode RGBW: 0–100% / Mode CMY: 100–0%
5	Vert 2	000 ⇔ 255	Mode RGBW: 0–100% / Mode CMY: 100–0%
6	Bleu 2	000 ⇔ 255	Mode RGBW: 0–100% / Mode CMY: 100–0%
7	Rouge 3	000 ⇔ 255	Mode RGBW: 0–100% / Mode CMY: 100–0%
8	Vert 3	000 ⇔ 255	Mode RGBW: 0–100% / Mode CMY: 100–0%
9	Bleu 3	000 ⇔ 255	Mode RGBW: 0–100% / Mode CMY: 100–0%
10	Rouge 4	000 ⇔ 255	Mode RGBW: 0–100% / Mode CMY: 100–0%
11	Vert 4	000 ⇔ 255	Mode RGBW: 0–100% / Mode CMY: 100–0%
12	Bleu 4	000 ⇔ 255	Mode RGBW: 0–100% / Mode CMY: 100–0%
13	Rouge 5	000 ⇔ 255	Mode RGBW: 0–100% / Mode CMY: 100–0%
14	Vert 5	000 ⇔ 255	Mode RGBW: 0–100% / Mode CMY: 100–0%
15	Bleu 5	000 ⇔ 255	Mode RGBW: 0–100% / Mode CMY: 100–0%
16	Rouge 6	000 ⇔ 255	Mode RGBW: 0–100% / Mode CMY: 100–0%
17	Vert 6	000 ⇔ 255	Mode RGBW: 0–100% / Mode CMY: 100–0%
18	Bleu 6	000 ⇔ 255	Mode RGBW: 0–100% / Mode CMY: 100–0%
19	Rouge 7	000 ⇔ 255	Mode RGBW: 0–100% / Mode CMY: 100–0%
20	Vert 7	000 ⇔ 255	Mode RGBW: 0–100% / Mode CMY: 100–0%
21	Bleu 7	000 ⇔ 255	Mode RGBW: 0–100% / Mode CMY: 100–0%
22	Rouge 8	000 ⇔ 255	Mode RGBW: 0–100% / Mode CMY: 100–0%
23	Vert 8	000 ⇔ 255	Mode RGBW: 0–100% / Mode CMY: 100–0%
24	Bleu 8	000 ⇔ 255	Mode RGBW: 0–100% / Mode CMY: 100–0%
25	Rouge 9	000 ⇔ 255	Mode RGBW: 0–100% / Mode CMY: 100–0%
26	Vert 9	000 ⇔ 255	Mode RGBW: 0–100% / Mode CMY: 100–0%
27	Bleu 9	000 ⇔ 255	Mode RGBW: 0–100% / Mode CMY: 100–0%
28	Rouge 10	000 ⇔ 255	Mode RGBW: 0–100% / Mode CMY: 100–0%
29	Vert 10	000 ⇔ 255	Mode RGBW: 0–100% / Mode CMY: 100–0%
30	Bleu 10	000 ⇔ 255	Mode RGBW: 0–100% / Mode CMY: 100–0%

Über diese Schnellanleitung

In der Schnellanleitung des Maverick MK Pyxis finden Sie die wesentlichen Produktinformationen, wie etwa über die Montage, Menüoptionen und DMX-Werte des Geräts. Laden Sie für weiterführende Informationen unter www.chauvetprofessional.com das Benutzerhandbuch herunter.

Haftungsausschluss

Die in dieser Anleitung aufgeführten Informationen und Spezifikationen können ohne vorherige Ankündigung geändert werden.

EINGESCHRÄNKTE GARANTIE

ZUR REGISTRIERUNG FÜR GARANTIEANSPRÜCHE UND ZUR EINSICHT IN DIE VOLLSTÄNDIGEN GESCHÄFTSBEDINGUNGEN BESUCHEN SIE BITTE UNSERE WEBSITE.

Für Kunden in den USA und in Mexiko: www.chauvetlighting.com/warranty-registration.

Für Kunden im Vereinigten Königreich, in Irland, Belgien, den Niederlanden, Luxemburg, Frankreich und Deutschland: www.chauvetlighting.eu/warranty-registration.

Chauvet garantiert für die in der auf unserer Website veröffentlichten vollständigen eingeschränkten Garantie genannten Dauer und unter Vorbehalt der darin genannten Haftungsausschlüsse und -beschränkungen, dass dieses Produkt bei normalen Gebrauch frei von Material- und Verarbeitungsfehlern ist. Diese Garantie erstreckt sich nur auf den Erstkäufer des Produkts und ist nicht übertragbar. Zur Ausübung der unter dieser Garantie gewährten Rechte ist der Kaufbeleg in Form der Originalrechnung von einem autorisierten Händler vorzulegen, in der die Produktbezeichnung und das Kaufdatum vermerkt sein müssen. **ES BESTEHEN KEINE WEITEREN AUSDRÜCKLICHEN ODER STILLSCHWEIGENDEN GARANTIEEN.** Diese Garantie gibt Ihnen besondere gesetzliche Rechte. Und Sie haben möglicherweise weitere Rechte, die von Land zu Land unterschiedlich sein können. Diese Garantie ist nur in den USA, im Vereinigten Königreich, in Irland, Belgien, den Niederlanden, Luxemburg, Frankreich, Deutschland und Mexiko gültig. Bezüglich der Garantiebestimmungen in anderen Ländern wenden Sie sich bitte an Ihren lokalen Händler.

Sicherheitshinweise

- Die Leuchte ist ausschließlich für den professionellen Einsatz bestimmt.
- Dieses Gerät NICHT öffnen. Die eingebauten Komponenten sind für den Kunden wartungsfrei.
- NIEMALS in die Lichtquelle schauen, während das Gerät eingeschaltet ist.
- VORSICHT: Blitzlicht kann nachweislich epileptische Anfälle auslösen. Der Bediener ist angehalten, die vor Ort geltenden Vorschriften und Gesetze zum Einsatz von Stroboskopgeräten einzuhalten.
- Um unnötigen Verschleiß zu vermeiden und die Lebensdauer des Geräts zu verlängern, trennen Sie während längerer Perioden des Nichtgebrauchs das Gerät vom Stromnetz – entweder per Trennschalter oder durch Herausziehen des Steckers aus der Steckdose.
- VORSICHT: Beim Transport des Geräts von einer Umgebung mit außergewöhnlichen Temperaturen in eine andere solche Umgebung (z. B. aus einem kalten Transporter in einen warm-feuchten Ballsaal) kann an der im Gerät enthaltenen Elektronik Wasser kondensieren. Um einen Defekt zu vermeiden, muss sich das Gerät erst in der neuen Umgebung akklimatisiert haben, bevor es an die Stromversorgung angeschlossen werden kann.
- VORSICHT: Das Gehäuse dieses Produkts kann während des Betriebs heiß werden.
- Installieren Sie das Gerät an einem Ort mit ausreichender Belüftung und mit einem Abstand von mindestens 50 cm zu den angrenzenden Flächen.
- Belassen Sie KEINE entflammaren Materialien in einem Umkreis von 50 cm dieses Geräts, während es in Betrieb oder an der Stromversorgung angeschlossen ist.
- Die Leuchte sollte so positioniert werden, dass ein langes starres Schauen in die Leuchte in einem Abstand von weniger als 3,9 m nicht zu erwarten ist.
- VERWENDEN Sie bei Montage über Kopf immer ein Sicherheitsseil.
- Nehmen sie das Gerät NICHT im Freien oder an einem Ort in Betrieb, der durch Staubentwicklung, übermäßige Hitze, Wasser oder hohe Luftfeuchtigkeit charakterisiert ist. (IP20)
- NIEMALS das Gerät in Betrieb nehmen, wenn Ihnen das Gehäuse, die Linsen oder das Kabel beschädigt erscheinen.
- Schließen Sie dieses Gerät NICHT an einen Dimmer oder Regelwiderstand an.
- Schließen Sie dieses Produkt NUR an einen mit der Erde verbundenen und geschützten Stromkreis an.
- Das Gerät NUR an den Hänge-/Befestigungsbügeln oder Griffen tragen.
- Die maximal zulässige Umgebungstemperatur beträgt 45 °C. Nehmen Sie das Gerät nicht bei höheren Temperaturen in Betrieb.
- Ist das externe flexible Kabel dieser Leuchte beschädigt, muss es durch ein gleichwertiges Kabel oder ein ausschließlich vom Hersteller oder dessen Vertriebspartner erhältliches Kabel ersetzt werden.
- Das in dieser Leuchte enthaltene Leuchtmittel darf nur vom Hersteller oder dessen Vertriebspartner oder einer ähnlich qualifizierten Person ausgetauscht werden.
- Bei ernsthaften Betriebsproblemen stoppen Sie umgehend die Verwendung des Geräts.

Kontakt

Kunden außerhalb der USA, GB, Irland, Benelux, Frankreich, Deutschland oder Mexiko wenden sich an ihren Lieferanten, um den Kundensupport in Anspruch zu nehmen oder ein Produkt zurückzuschicken. Kontaktinformationen finden Sie im [Contact Us](#) am Ende dieses QRG.

Packungsinhalt

- Maverick MK Pyxis mit Blendschutz
- 2 Omega-Hängebügel mit Befestigungsmaterial
- Seetronic Powerkon IP65 Netzkabel
- Schnellanleitung

Wechselstrom

Dieses Gerät verfügt über ein Vorschaltgerät, das automatisch die anliegende Spannung erkennt, sobald der Netzstecker in die Schukosteckdose gesteckt wird, und kann mit einer Eingangsspannung von 100~240 V AC, 50/60 Hz arbeiten.

Wechselstromstecker

Anschluss	Draht (USA)	Draht (Europa)	Schraubenfarbe
Stromführender AC-Leiter	Schwarz	Braun	Gelb/Messingfarben
AC-Neutralleiter	Weiß	Blau	Silber
AC-Erdungsleiter	Grün/Gelb	Grün/Gelb	Grün



Um unnötigen Verschleiß zu vermeiden und die Lebensdauer des Geräts zu verlängern, trennen Sie während längerer Perioden des Nichtgebrauchs das Gerät vom Stromnetz – entweder per Trennschalter oder durch Herausziehen des Steckers aus der Steckdose.

Serienschaltung der Geräte

Bis zu 3 Maverick MK Pyxis-Produkte mit 100 V, 4 Produkte mit 120 V, 7 Produkte mit 208 V, oder 8 Produkte mit 230 V oder 240 V verbinden. Überschreiten Sie niemals diese Anzahl. Power-Link-Kabel können separat erworben werden.

Auswechseln der Sicherung

1. Trennen Sie das Gerät vom Stromnetz.
2. Mit einem Flachkopfschraubendreher lösen Sie die Abdeckung des Sicherungshalters vom Gehäuse.
3. Entfernen Sie die durchgebrannte Sicherung, und ersetzen Sie diese durch eine Sicherung des gleichen Typs und mit den gleichen Werten.
4. Schrauben Sie die Abdeckung der Sicherung wieder ein, und schließen Sie das Gerät wieder an das Stromnetz an.

Signalanschlüsse

Sie können den Maverick MK Pyxis per Ethernet mit einer Controller-Software verbinden. Werden an de mit Art-Net™ oder sACN kompatible Produkte zusammen mit dem Maverick MK Pyxis verwendet, können Sie jedes der Produkte innerhalb eines einzigen Netzwerks ansteuern. Informationen zum Anschließen und Konfigurieren des Produkts für diese Signale finden Sie in der Bedienungsanleitung.

Persönlichkeiten kontrollieren

Der Maverick MK Pyxis verwendet DMX, Art-Net™, sACN, W-DMX und Kling-Net für seine Kontrollpersönlichkeiten:

Einzelsteuerung	Dual Control Bewegung	Dual Kontrollwerte Pixel
Basic (26 Kanäle)	Basic (13 Kanäle)	Basic (30 Kanäle)
Standard (66 Kanäle)	Standard (30 Kanäle)	Standard (40 Kanäle)
Advanced (113 Kanäle)	Advanced (41 Kanäle)	Advanced (80 Kanäle)
Tour (131 Kanäle)		
Uses DMX, Art-Net™, sACN, or W-DMX	Uses DMX, Art-Net™, or sACN	Uses DMX, Art-Net™, sACN, or Kling-Net



Im Dual Control-Modus können das Bewegungsprotokoll und das Pixelprotokoll nicht identisch sein.

DMX-Verbindung

Der Maverick MK Pyxis kann mit einem DMX-Controller betrieben werden, wenn eine 3- oder 5-polige DMX-Serienschaltung zum Einsatz kommt. Sie können sich eine Einführung in DMX unter www.chauvetprofessional.com herunterladen.

Art-Net™-Verbindung

Art-Net™ ist ein Ethernet-Protokoll, das mit TCP/IP eine große Menge an DMX512-Daten über ein großes Netzwerk an eine Neutrik® etherCON® RJ45-Verbindung überträgt. Das Dokument des Art-Net™-Protokolls können Sie unter www.chauvetprofessional.com herunterladen. Chauvet Professional empfiehlt für beste Ergebnisse die Verwendung von unicast Art-Net™.

Art-Net™-Design und -Copyright Artistic Licence Holdings Ltd.

sACN-Verbindung

Das auch als ANSI E1.31 bekannte Streaming-ACN ist ein Ethernet-Protokoll, das auf das Layering und die Formatierung von Architecture for Control Networks zurückgreift, um DMX512-Daten "over IP" oder ein anderes mit ACN kompatibles Netzwerk übermittelt.

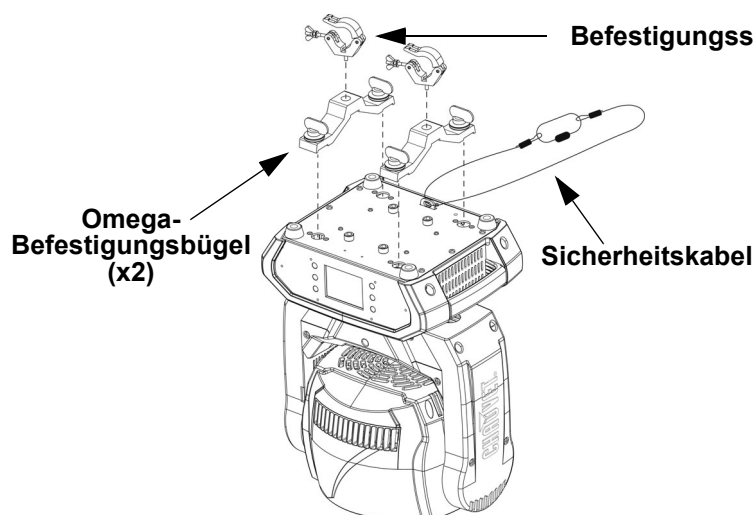
RDM (Remote Device Management)

Remote Device Management bzw. RDM ist ein Standard, mit dem DMX-aktivierte Geräte bidirektional entlang bestehender DMX-Kabel kommunizieren können. Lesen Sie die Bedienungsanleitung des DMX-Controllers oder wenden Sie sich an den Hersteller, da nicht alle DMX-Controller über diese Funktion verfügt. Der Maverick MK Pyxis unterstützt das RDM-Protokoll, das ein Feedback zur Vornahme von Änderungen der Menüoptionen erlaubt. Laden Sie für weiterführende Informationen unter www.chauvetprofessional.com das Benutzerhandbuch herunter.

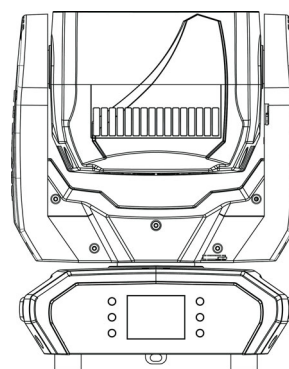
Montage

Lesen Sie vor der Montage dieses Geräts die [Sicherheitshinweise](#) durch. Mindestens zwei Befestigungspunkt pro Gerät verwenden. Stellen Sie sicher, dass die Befestigungsklemmen dafür ausgelegt sind, das Produktgewicht tragen zu können. Informationen zu unserer CHAUVET-Produktlinie für Befestigungsklemmen finden Sie unter <http://trusst.com/productcategory/truss-clamps/>.

Montageansicht



Über-Kopf-Montage



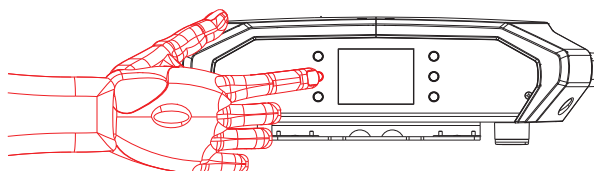
Aufstellung des Geräts auf dem Boden

Beschreibung des Bedienfeldes

Taste	Name	Funktion
	<UP>	Damit navigieren Sie sich durch die Menüpunkte nach oben oder erhöhen den numerischen Wert der entsprechenden Funktion
	<MENU>	Damit verlassen Sie das aktuelle Menü oder die Funktion
	<DOWN>	Damit navigieren Sie sich durch die Menüpunkte nach unten oder verringern den numerischen Wert der entsprechenden Funktion
	<LEFT>	Damit navigieren Sie nach links durch die Menüpunkte
	<ENTER>	Damit wird das aktuell angezeigte Menü aktiviert oder der aktuell ausgewählte Wert einer Funktion eingestellt
	<RIGHT>	Damit navigieren Sie nach rechts durch die Menüpunkte

Batteriebetriebene Anzeige

Halten Sie gedrückt, bis der Menübildschirm angezeigt wird (ungefähr 15 Sekunden).



Menu Map

Die neueste Menükarte finden Sie auf der Maverick MK Pyxis-Produktseite unter www.chauvetprofessional.com.

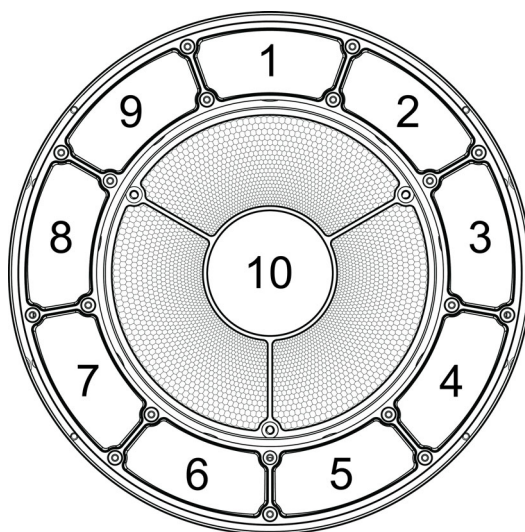
Programmiererebenen				Beschreibung		
Control Settings				Control Settings Main Level		
Single Control	DMX	Personality	Basic	Legt die DMX-Persönlichkeit fest (siehe Persönlichkeiten kontrollieren)		
			Standard			
			Advanced			
		Tour	Start Address	0-512	Legt die DMX-Startadresse fest	
	ArtNet	Personality	Basic	Legt die Art-Net™-Persönlichkeit fest (siehe Persönlichkeiten kontrollieren)		
			Standard			
			Advanced			
		Tour	Start Address	0-512	Legt die Art-Net™-Startadresse fest	
		Universe		0-255	Legt das Art-Net™-Universum fest	
	sACN	Personality	Basic	Legt die sACN-Persönlichkeit fest (siehe Persönlichkeiten kontrollieren)		
			Standard			
			Advanced			
		Tour	Start Address	0-512	Legt die sACN-Startadresse fest	
		Universe		0-255	Legt das sACN-Universum fest	
	WDMX	Personality	Basic	Legt die WDMX-Persönlichkeit fest (siehe Persönlichkeiten kontrollieren)		
Standard						
Advanced						
Tour		Start Address	0-512	Legt die WDMX-Startadresse fest		
Control Settings	Dual Control	Movement	DMX	Personality	Legt die DMX-Persönlichkeit fest (siehe Persönlichkeiten kontrollieren)	
				Standard		
				Advanced		
			Start Address	0-512	Legt die DMX-Startadresse fest	
		ArtNet	Personality	Basic	Legt die Art-Net™-Persönlichkeit fest (siehe Persönlichkeiten kontrollieren)	
				Standard		
				Advanced		
		Start Address	0-512	Legt die Art-Net™-Startadresse fest		
			Universe	0-255	Legt das Art-Net™-Universum fest	
	sACN	Personality	Basic	Legt die sACN-Persönlichkeit fest (siehe Persönlichkeiten kontrollieren)		
			Standard			
			Advanced			
	Start Address	0-512	Legt die sACN-Startadresse fest			
		Universe	0-255	Legt das sACN-Universum fest		
	Pixels	DMX	Personality	Basic	Legt die DMX-Persönlichkeit fest (siehe Persönlichkeiten kontrollieren)	
				Standard		
				Advanced		
		Start Address	0-512	Legt die DMX-Startadresse fest		
			ArtNet	Personality	Basic	Legt die Art-Net™-Persönlichkeit fest (siehe Persönlichkeiten kontrollieren)
					Standard	
Advanced						
Start Address	0-512	Legt die Art-Net™-Startadresse fest				
	Universe	0-255	Legt das Art-Net™-Universum fest			
sACN	Personality	Basic	Legt die sACN-Persönlichkeit fest (siehe Persönlichkeiten kontrollieren)			
		Standard				
		Advanced				
Start Address	0-512	Legt die sACN-Startadresse fest				
	Universe	0-255	Legt das sACN-Universum fest			
KlingNet	Personality	Basic	Legt die Kling-Net-Persönlichkeit fest (siehe Persönlichkeiten kontrollieren)			
		Standard				

Programming Levels			Description	
Test Mode			Test Mode Main Level	
Test Mode	Auto Test		Alle Funktionen automatisch testen	
	Manual Test	Pan	000–255	Kontrollieren und testen Sie alle Einstellungen manuell über das Bedienfeld
		Tilt		
		P/T Speed		
		Red		
		Green		
		Blue		
		White		
		CTC		
		Color		
		Pattern		
		LED Macro		
		LED Ma. Speed		
		LED Ma. Fade		
		Background		
		Background Dim.		
		Dimmer		
Shutter				
Function				
Zoom				
Setup			Setup Main Level	
Network Settings	IP Mode	Manual	IP-Adresse manuell einstellen	
		DHCP	Netzwerk legt die IP-Adresse fest	
		Static	Produkt legt die IP-Adresse fest	
	IP	-----	Legt die IP-Adresse im manuellen Modus fest	
	SubMask	-----	Legt Subnetzmaske im manuellen Modus fest	
Pan Reverse		NO	Schwenk Normal	
		YES	Umgekehrte Schwenkung	
Tilt Reverse		NO	Neigung Normal	
		YES	Umgekehrte Neigung	
Zoom Reverse		NO	Zoom Normal	
		YES	Umgekehrter Zoom	
Screen Reverse		NO	Normale Anzeige	
		YES	Umgekehrte Anzeige	
		AUTO	Automatische Anzeigerichtung	
Pan Angle		540	Schwenkungsbereich 540°	
		360	Schwenkungsbereich 360°	
		180	Schwenkungsbereich 180°	
Tilt Angle		270	Neigungsbereich 270°	
		180	Neigungsbereich 180°	
		90	Neigungsbereich 90°	
BL. O. P/T Move		NO	Während Schwenkung/Neigung nicht verdunkeln	
		YES	Während Schwenkung/Neigung verdunkeln	
Calibration		NO	Aktuelle Einstellungen speichern	
		YES	Touchscreen kalibrieren	
Touchscreen Lock		NO	Display reagiert auf Berührung	
		YES	Display reagiert nicht auf Berührung	
Lock Screen		NO	Sperrt die Tasten und den Touchscreen-Bildschirm. Sicherheitscode: 0920	
		YES		
Swap XY		NO	Während Schwenkung und Neigung nicht tauschen	
		YES	Schwenkung steuert Neigung, Neigung steuert Schwenkung	
WDMX Reset		NO	WDMX nicht zurücksetzen	
		YES	WDMX zurücksetzen	

Programming Levels		Description		
Setup (cont.)		Setup Main Level (cont.)		
Setup (Fortsetzung)	Backlight Timer	30S	Anzeige schaltet nach 30 Sekunden ab	
		1M	Anzeige schaltet nach 1 Minute ab	
		5M	Anzeige schaltet nach 5 Minuten ab	
		ON	Anzeige bleibt an	
	Loss of Data	Hold	Hält das zuletzt erhaltene Signal	
		Close	Verdunkelt Gerät	
	Fans	Auto	Lüfterdrehzahl gemäß Gerätetemperatur	
		Full	Lüfterdrehzahl auf volle Drehzahl	
		ECO	Lautloser Modus	
	C Mixing Mode	RGBW	RGBW-Modus	
		CMY	CMY-Modus (R=C, G=M, B=Y)	
	Dimmer Curve	Linear	Stellt die Dimmungskurve ein	
		Square		
		I Squa		
		SCurve		
	Dimmer Speed	Smooth	Stellt die Dimmungsgeschwindigkeit ein	
		Fast		
	PWM Option	600Hz	Legt die Frequenz der Puls-Weiten-Modulation fest	
		1200Hz		
		2000Hz		
4000Hz				
6000Hz				
Color Balance	Red	000–255	Stellt den maximalen Wert der roten LED ein	
	Green		Stellt den maximalen Wert der grünen LED ein	
	Blue		Stellt den maximalen Wert der blauen LED ein	
	White		Stellt den maximalen Wert der weißen LED ein	
Preset Select	PRESET A	Aufgezeichnete Voreinstellungs-Menüoptionen		
	PRESET B			
	PRESET C			
Preset Sync	NO	Ermöglicht die Übermittlung aufgezeichneter Voreinstellungs-Menüoptionen an andere Maverick MK Pyxis-Geräte in der DMX-Serienschaltung		
	YES			
Reset Function	Pan/Tilt	NO	Setzt einzelne oder alle Funktionen ab Start zurück	
		YES		
	Zoom	NO		
		YES		
All	NO			
	YES			
Factory Settings	NO	Setzt auf die standardmäßigen Werkseinstellungen zurück		
	YES			
Sys Info		Sys Info Main Level		
Sys Info	Fixture Information	Ver	V_	Zeigt die Firmware-Version an
		Running Mode	---	Zeigt den aktuellen Betriebsmodus an
		Address	---	Zeigt die aktuelle DMX-Startadresse an
		Temperature	---	Zeigt die aktuelle Temperatur des Geräts in °C an
		Fixture Hours	-----	Zeigt an, wie lange das Gerät eingeschaltet gewesen ist
		Ip	-----'-----'----- --	Zeigt die aktuelle IP-Adresse an
		SubMask	-----'-----'----- --	Zeigt die aktuelle Subnetzmaske an
		MAC	-----'-----'----- ---	Zeigt die aktuelle MAC-Adresse an
	Fan Information	Head Fan1 Speed	---	Zeigt die Drehzahl der Kopflüfter in U/min an
		Head Fan2 Speed	---	
Error Information	No Error!*	Zeigt alle Fehler oder "No Error!"		

Programming Levels		Description
Sys Info (cont.)		Sys Info Main Level (cont.)
Sys Info (Fortsetzung)	Channel Information	---
	Frequency	
	Pan	
	Pan Fine	
	Tilt	
	Tilt Fine	
	Pan Rotation	
	Tilt Rotation	
	P/T Speed	
	CTC	
	Color (1-2)	
	Pattern	
	LED Macro	
	LED Ma. Speed	
	LED Ma. Fine	
	Background	
	Background Dim.	
	Bg. Dim. Fine	
	Dimmer (A-B)	
	Dimmer Fine (A-B)	
	Shutter (1-2)	
	Zoom	
	Function	
	Red (all, 1-10)	
	Red Fine (all, 1-10)	
	Green (all, 1-10)	
	Green fine (all, 1-10)	
	Blue (all, 1-10)	
	Blue Fine (all, 1-10)	
	White (all, 1-10)	
White Fine (all, 1-10)		
Dimmer (1-10)		
Dimmer Fine (1-10)		
		Zeigt alle aktuellen Werte von Eingangssignalen an, 000-255

Zonen für die Pixelsteuerung



DMX Werte

Einzelne Kontrollwerte

Einzelsteuerung: Tourmodus (131Ch)

Kanal	Funktion	Wert	Prozent/Einstellung
1	Schwenkung	000 ⇔ 255	0–100%
2	Schwenkung fein	000 ⇔ 255	0–100%
3	Neigung	000 ⇔ 255	0–100%
4	Neigung fein	000 ⇔ 255	0–100%
5	Kontinuierliche Schwenkung	000	Kein Funktion
		001 ⇔ 127	Kontinuierliche Schwenkung, schnell bis langsam
		128	Kein Funktion
		129 ⇔ 255	Kontinuierliche Schwenkung rückwärts, langsam bis schnell
6	Kontinuierliche Neigung	000	Kein Funktion
		001 ⇔ 127	Kontinuierliche Neigung, schnell bis langsam
		128	Kein Funktion
		129 ⇔ 255	Kontinuierliche Neigung rückwärts, langsam bis schnell
7	Schwenk- / Neigungsgeschwindigkeit	000 ⇔ 255	Schnell bis langsam
8	CTC	000	Kein Funktion
		001 ⇔ 255	Farbtemperatur 2800–10000 K
9	Ringfarbe	000	Kein Funktion
		001 ⇔ 002	2700K R = 156 G = 118 B = 0 W = 63
		003 ⇔ 004	3200K R = 156 G = 141 B = 5 W = 89
		005 ⇔ 006	4200K R = 156 G = 141 B = 14 W = 255
		007 ⇔ 008	5600K R = 156 G = 207 B = 54 W = 255
		009 ⇔ 010	8000K R = 130 G = 255 B = 96 W = 255
		011	Blau R = 0 G = 0 B = 255 W = 0
		012 ⇔ 048	+ Grün R = 0 G = 0–255 B = 255 W = 0
		049	Cyan R = 0 G = 255 B = 255 W = 0
		050 ⇔ 086	- Blau R = 0 G = 255 B = 255–0 W = 0
		087	Grün R = 0 G = 255 B = 0 W = 0
		088 ⇔ 124	+ Rot R = 0–255 G = 255 B = 0 W = 0
		125	Gelb R = 255 G = 255 B = 0 W = 0
		126 ⇔ 162	- Grün R = 255 G = 255–0 B = 0 W = 0
		163	Rot R = 255 G = 0 B = 0 W = 0
		164 ⇔ 200	+ Blau R = 255 G = 0 B = 0–255 W = 0
		201	Magenta R = 255 G = 0 B = 255 W = 0
		202 ⇔ 238	- Rot R = 255–0 G = 0 B = 255 W = 0
		239	Blau R = 0 G = 0 B = 255 W = 0
		240 ⇔ 247	Farbe verblassen, schnell bis langsam
248 ⇔ 255	Farbschnappschuss, schnell bis langsam		

Kanal	Funktion	Wert	Prozent/Einstellung
10	Strahlfarbe	000	Kein Funktion
		001 ⇔ 002	2700K R = 156 G = 118 B = 0 W = 63
		003 ⇔ 004	3200K R = 156 G = 141 B = 5 W = 89
		005 ⇔ 006	4200K R = 156 G = 141 B = 14 W = 255
		007 ⇔ 008	5600K R = 156 G = 207 B = 54 W = 255
		009 ⇔ 010	8000K R = 130 G = 255 B = 96 W = 255
		011	Blau R = 0 G = 0 B = 255 W = 0
		012 ⇔ 048	+ Grün R = 0 G = 0-255 B = 255 W = 0
		049	Cyan R = 0 G = 255 B = 255 W = 0
		050 ⇔ 086	- Blau R = 0 G = 255 B = 255-0 W = 0
		087	Grün R = 0 G = 255 B = 0 W = 0
		088 ⇔ 124	+ Rot R = 0-255 G = 255 B = 0 W = 0
		125	Gelb R = 255 G = 255 B = 0 W = 0
		126 ⇔ 162	- Grün R = 255 G = 255-0 B = 0 W = 0
		163	Rot R = 255 G = 0 B = 0 W = 0
		164 ⇔ 200	+ Blau R = 255 G = 0 B = 0-255 W = 0
		201	Magenta R = 255 G = 0 B = 255 W = 0
		202 ⇔ 238	- Red R = 255-0 G = 0 B = 255 W = 0
		239	Blue R = 0 G = 0 B = 255 W = 0
		240 ⇔ 247	Farbe verblassen, schnell bis langsam
248 ⇔ 255	Farbschnappschuss, schnell bis langsam		
11	Gobo	000	Kein Funktion
		001 ⇔ 255	Gobos (indexiert)
12	LED Makro / Auto Programm	000 ⇔ 015	Kein Funktion
		016 ⇔ 135	LED Makros
		136 ⇔ 255	Auto-Programme
13	LED Makro / Auto Programmgeschwindigkeit	000 ⇔ 127	Auto-Geschwindigkeit, schnell bis langsam
		128	Halt
		129 ⇔ 255	Auto-Geschwindigkeit, langsam bis schnell
14	LED eingebaute Verzögerung	000 ⇔ 255	Schnell bis langsam
15	Hintergrundfarbe	000	Kein Funktion
		001 ⇔ 002	2700K R = 156 G = 118 B = 0 W = 63
		003 ⇔ 004	3200K R = 156 G = 141 B = 5 W = 89
		005 ⇔ 006	4200K R = 156 G = 141 B = 14 W = 255
		007 ⇔ 008	5600K R = 156 G = 207 B = 54 W = 255
		009 ⇔ 010	8000K R = 130 G = 255 B = 96 W = 255
		011	Blau R = 0 G = 0 B = 255 W = 0
		012 ⇔ 048	+ Grün R = 0 G = 0-255 B = 255 W = 0
		049	Cyan R = 0 G = 255 B = 255 W = 0
		050 ⇔ 086	- Blau R = 0 G = 255 B = 255-0 W = 0
		087	Grün R = 0 G = 255 B = 0 W = 0
		088 ⇔ 124	+ Rot R = 0-255 G = 255 B = 0 W = 0
		125	Yellow R = 255 G = 255 B = 0 W = 0
		126 ⇔ 162	- Grün R = 255 G = 255-0 B = 0 W = 0
		163	Rot R = 255 G = 0 B = 0 W = 0
		164 ⇔ 200	+ Blau R = 255 G = 0 B = 0-255 W = 0
		201	Magenta R = 255 G = 0 B = 255 W = 0
		202 ⇔ 238	- Rot R = 255-0 G = 0 B = 255 W = 0
		239	Blau R = 0 G = 0 B = 255 W = 0
		240 ⇔ 247	Farbe verblassen, schnell bis langsam
248 ⇔ 255	Farbschnappschuss, schnell bis langsam		
16	Hintergrunddimmer	000 ⇔ 255	0-100%
17	Hintergrund feiner Dimmer	000 ⇔ 255	0-100%
18	Hauptdimmer	000 ⇔ 255	0-100%
19	Haupt feiner dimmer	000 ⇔ 255	0-100%

Kanal	Funktion	Wert	Prozent/Einstellung
20	Ringverschluss	000 ⇔ 019	Aus
		020 ⇔ 024	An
		025 ⇔ 069	Strobe, von schnell nach langsam
		070 ⇔ 089	Strobe 100–0%, von schnell nach langsam
		090 ⇔ 109	Strobe 0–100%, von schnell nach langsam
		110 ⇔ 129	Zufalls-Strobe, von schnell nach langsam
		130 ⇔ 149	Zufalls-Strobe 100–0%, von schnell nach langsam
		150 ⇔ 169	Zufalls-Strobe 0–100%, von schnell nach langsam
		170 ⇔ 189	Pulse-Strobe, von schnell nach langsam
		190 ⇔ 209	Zufalls-Pulse-Strobe, von schnell nach langsam
		210 ⇔ 229	Strobe 0–100–0%, von schnell nach langsam
		230 ⇔ 244	Zufalls-Pulse-Strobe, von schnell nach langsam
		245 ⇔ 255	An
21	Strahlverschluss	000 ⇔ 019	Aus
		020 ⇔ 024	An
		025 ⇔ 069	Strobe, von schnell nach langsam
		070 ⇔ 089	Strobe 100–0%, von schnell nach langsam
		090 ⇔ 109	Strobe 0–100%, von schnell nach langsam
		110 ⇔ 129	Zufalls-Strobe, von schnell nach langsam
		130 ⇔ 149	Zufalls-Strobe 100–0%, von schnell nach langsam
		150 ⇔ 169	Zufalls-Strobe 0–100%, von schnell nach langsam
		170 ⇔ 189	Pulse-Strobe, von schnell nach langsam
		190 ⇔ 209	Zufalls-Pulse-Strobe, von schnell nach langsam
		210 ⇔ 229	Strobe 0–100–0%, von schnell nach langsam
		230 ⇔ 244	Zufalls-Pulse-Strobe, von schnell nach langsam
		245 ⇔ 255	An
22	Zoomen	000 ⇔ 255	Breit bis schmal
23	Steuerung	000 ⇔ 009	Kein Funktion
		010 ⇔ 014	Blackout bei Schwenken / Neigen
		015 ⇔ 019	Reserviert für zukünftige Verwendung
		020 ⇔ 024	RGBW-Farbmischmodus (additiv)
		025 ⇔ 029	CMY-Farbmischmodus (subtraktiv)
		030 ⇔ 049	Reserviert für zukünftige Verwendung
		050 ⇔ 054	Pan zurücksetzen
		055 ⇔ 059	Neigungsrücksetzung
		060 ⇔ 064	Zoom zurückgesetzt
		065 ⇔ 069	Reserviert für zukünftige Verwendung
		070 ⇔ 074	Alles zurücksetzen
		075 ⇔ 109	Reserviert für zukünftige Verwendung
		110 ⇔ 114	Schnelle Schwenk-/Neigeengeschwindigkeit
		115 ⇔ 119	Langsame Schwenk-/Neigungsgeschwindigkeit
		120 ⇔ 124	Langsamer Lüftermodus
		125 ⇔ 129	Voller Lüftermodus
		130 ⇔ 134	Automatischer Lüftermodus
135 ⇔ 139	Schneller Dimmmodus		
140 ⇔ 144	Langsamer Dimmmodus		
145 ⇔ 255	Reserviert für zukünftige Verwendung		
24	Hauptrot	000 ⇔ 255	RGBW-Modus: 0–100% / CMY-Modus: 100–0%
25	Hauptfeines rot	000 ⇔ 255	RGBW-Modus: 0–100% / CMY-Modus: 100–0%
26	Hauptgrün	000 ⇔ 255	RGBW-Modus: 0–100% / CMY-Modus: 100–0%
27	Hauptfeines grün	000 ⇔ 255	RGBW-Modus: 0–100% / CMY-Modus: 100–0%
28	Hauptblau	000 ⇔ 255	RGBW-Modus: 0–100% / CMY-Modus: 100–0%
29	Hauptfeines Blau	000 ⇔ 255	RGBW-Modus: 0–100% / CMY-Modus: 100–0%
30	Hauptweiß	000 ⇔ 255	RGBW-Modus: 0–100% / CMY-Modus: 100–0%
31	Haupt feines Weiß	000 ⇔ 255	RGBW-Modus: 0–100% / CMY-Modus: 100–0%

Kanal	Funktion	Wert	Prozent/Einstellung
32	Dimmer 1	000 ⇄ 255	0–100%
33	Feiner dimmer 1	000 ⇄ 255	0–100%
34	Rot 1	000 ⇄ 255	RGBW-Modus: 0–100% / CMY-Modus: 100–0%
35	Feines rot 1	000 ⇄ 255	RGBW-Modus: 0–100% / CMY-Modus: 100–0%
36	Grün 1	000 ⇄ 255	RGBW-Modus: 0–100% / CMY-Modus: 100–0%
37	Feines grün 1	000 ⇄ 255	RGBW-Modus: 0–100% / CMY-Modus: 100–0%
38	Blau 1	000 ⇄ 255	RGBW-Modus: 0–100% / CMY-Modus: 100–0%
39	Feines blau 1	000 ⇄ 255	RGBW-Modus: 0–100% / CMY-Modus: 100–0%
40	Weiß 1	000 ⇄ 255	RGBW-Modus: 0–100% / CMY-Modus: 100–0%
41	Feines Weiß 1	000 ⇄ 255	RGBW-Modus: 0–100% / CMY-Modus: 100–0%
42	Dimmer 2	000 ⇄ 255	0–100%
43	Feiner dimmer 2	000 ⇄ 255	0–100%
44	Rot 2	000 ⇄ 255	RGBW-Modus: 0–100% / CMY-Modus: 100–0%
45	Feines rot 2	000 ⇄ 255	RGBW-Modus: 0–100% / CMY-Modus: 100–0%
46	Grün 2	000 ⇄ 255	RGBW-Modus: 0–100% / CMY-Modus: 100–0%
47	Feines grün 2	000 ⇄ 255	RGBW-Modus: 0–100% / CMY-Modus: 100–0%
48	Blau 2	000 ⇄ 255	RGBW-Modus: 0–100% / CMY-Modus: 100–0%
49	Feines blau 2	000 ⇄ 255	RGBW-Modus: 0–100% / CMY-Modus: 100–0%
50	Weiß 2	000 ⇄ 255	RGBW-Modus: 0–100% / CMY-Modus: 100–0%
51	Feines Weiß 2	000 ⇄ 255	RGBW-Modus: 0–100% / CMY-Modus: 100–0%
52	Dimmer 3	000 ⇄ 255	0–100%
53	Feiner dimmer 3	000 ⇄ 255	0–100%
54	Rot 3	000 ⇄ 255	RGBW-Modus: 0–100% / CMY-Modus: 100–0%
55	Feines rot 3	000 ⇄ 255	RGBW-Modus: 0–100% / CMY-Modus: 100–0%
56	Grün 3	000 ⇄ 255	RGBW-Modus: 0–100% / CMY-Modus: 100–0%
57	Feines grün 3	000 ⇄ 255	RGBW-Modus: 0–100% / CMY-Modus: 100–0%
58	Blau 3	000 ⇄ 255	RGBW-Modus: 0–100% / CMY-Modus: 100–0%
59	Feines blau 3	000 ⇄ 255	RGBW-Modus: 0–100% / CMY-Modus: 100–0%
60	Weiß 3	000 ⇄ 255	RGBW-Modus: 0–100% / CMY-Modus: 100–0%
61	Feines Weiß 3	000 ⇄ 255	RGBW-Modus: 0–100% / CMY-Modus: 100–0%
62	Dimmer 4	000 ⇄ 255	0–100%
63	Feiner dimmer 4	000 ⇄ 255	0–100%
64	Rot 4	000 ⇄ 255	RGBW-Modus: 0–100% / CMY-Modus: 100–0%
65	Feines rot 4	000 ⇄ 255	RGBW-Modus: 0–100% / CMY-Modus: 100–0%
66	Grün 4	000 ⇄ 255	RGBW-Modus: 0–100% / CMY-Modus: 100–0%
67	Feines grün 4	000 ⇄ 255	RGBW-Modus: 0–100% / CMY-Modus: 100–0%
68	Blau 4	000 ⇄ 255	RGBW-Modus: 0–100% / CMY-Modus: 100–0%
69	Feines blau 4	000 ⇄ 255	RGBW-Modus: 0–100% / CMY-Modus: 100–0%
70	Weiß 4	000 ⇄ 255	RGBW-Modus: 0–100% / CMY-Modus: 100–0%
71	Feines Weiß 4	000 ⇄ 255	RGBW-Modus: 0–100% / CMY-Modus: 100–0%
72	Dimmer 5	000 ⇄ 255	0–100%
73	Feiner dimmer 5	000 ⇄ 255	0–100%
74	Rot 5	000 ⇄ 255	RGBW-Modus: 0–100% / CMY-Modus: 100–0%
75	Feines rot 5	000 ⇄ 255	RGBW-Modus: 0–100% / CMY-Modus: 100–0%
76	Grün 5	000 ⇄ 255	RGBW-Modus: 0–100% / CMY-Modus: 100–0%
77	Feines grün 5	000 ⇄ 255	RGBW-Modus: 0–100% / CMY-Modus: 100–0%
78	Blau 5	000 ⇄ 255	RGBW-Modus: 0–100% / CMY-Modus: 100–0%
79	Feines blau 5	000 ⇄ 255	RGBW-Modus: 0–100% / CMY-Modus: 100–0%
80	Weiß 5	000 ⇄ 255	RGBW-Modus: 0–100% / CMY-Modus: 100–0%
81	Feines Weiß 5	000 ⇄ 255	RGBW-Modus: 0–100% / CMY-Modus: 100–0%
82	Dimmer 6	000 ⇄ 255	0–100%
83	Feiner dimmer 6	000 ⇄ 255	0–100%
84	Rot 6	000 ⇄ 255	RGBW-Modus: 0–100% / CMY-Modus: 100–0%
85	Feines rot 6	000 ⇄ 255	RGBW-Modus: 0–100% / CMY-Modus: 100–0%
86	Grün 6	000 ⇄ 255	RGBW-Modus: 0–100% / CMY-Modus: 100–0%

Kanal	Funktion	Wert	Prozent/Einstellung
87	Feines grün 6	000 ⇔ 255	RGBW-Modus: 0–100% / CMY-Modus: 100–0%
88	Blau 6	000 ⇔ 255	RGBW-Modus: 0–100% / CMY-Modus: 100–0%
89	Feines blau 6	000 ⇔ 255	RGBW-Modus: 0–100% / CMY-Modus: 100–0%
90	Weiß 6	000 ⇔ 255	RGBW-Modus: 0–100% / CMY-Modus: 100–0%
91	Feines Weiß 6	000 ⇔ 255	RGBW-Modus: 0–100% / CMY-Modus: 100–0%
92	Dimmer 7	000 ⇔ 255	0–100%
93	Feiner dimmer 7	000 ⇔ 255	0–100%
94	Rot 7	000 ⇔ 255	RGBW-Modus: 0–100% / CMY-Modus: 100–0%
95	Feines rot 7	000 ⇔ 255	RGBW-Modus: 0–100% / CMY-Modus: 100–0%
96	Grün 7	000 ⇔ 255	RGBW-Modus: 0–100% / CMY-Modus: 100–0%
97	Feines grün 7	000 ⇔ 255	RGBW-Modus: 0–100% / CMY-Modus: 100–0%
98	Blau 7	000 ⇔ 255	RGBW-Modus: 0–100% / CMY-Modus: 100–0%
99	Feines blau 7	000 ⇔ 255	RGBW-Modus: 0–100% / CMY-Modus: 100–0%
100	Weiß 7	000 ⇔ 255	RGBW-Modus: 0–100% / CMY-Modus: 100–0%
101	Feines Weiß 7	000 ⇔ 255	RGBW-Modus: 0–100% / CMY-Modus: 100–0%
102	Dimmer 8	000 ⇔ 255	0–100%
103	Feiner dimmer 8	000 ⇔ 255	0–100%
104	Rot 8	000 ⇔ 255	RGBW-Modus: 0–100% / CMY-Modus: 100–0%
105	Feines rot 8	000 ⇔ 255	RGBW-Modus: 0–100% / CMY-Modus: 100–0%
106	Grün 8	000 ⇔ 255	RGBW-Modus: 0–100% / CMY-Modus: 100–0%
107	Feines grün 8	000 ⇔ 255	RGBW-Modus: 0–100% / CMY-Modus: 100–0%
108	Blau 8	000 ⇔ 255	RGBW-Modus: 0–100% / CMY-Modus: 100–0%
109	Feines blau 8	000 ⇔ 255	RGBW-Modus: 0–100% / CMY-Modus: 100–0%
110	Weiß 8	000 ⇔ 255	RGBW-Modus: 0–100% / CMY-Modus: 100–0%
111	Feines Weiß 8	000 ⇔ 255	RGBW-Modus: 0–100% / CMY-Modus: 100–0%
112	Dimmer 9	000 ⇔ 255	0–100%
113	Feiner dimmer 9	000 ⇔ 255	0–100%
114	Rot 9	000 ⇔ 255	RGBW-Modus: 0–100% / CMY-Modus: 100–0%
115	Feines rot 9	000 ⇔ 255	RGBW-Modus: 0–100% / CMY-Modus: 100–0%
116	Grün 9	000 ⇔ 255	RGBW-Modus: 0–100% / CMY-Modus: 100–0%
117	Feines grün 9	000 ⇔ 255	RGBW-Modus: 0–100% / CMY-Modus: 100–0%
118	Blau 9	000 ⇔ 255	RGBW-Modus: 0–100% / CMY-Modus: 100–0%
119	Feines blau 9	000 ⇔ 255	RGBW-Modus: 0–100% / CMY-Modus: 100–0%
120	Weiß 9	000 ⇔ 255	RGBW-Modus: 0–100% / CMY-Modus: 100–0%
121	Feines Weiß 9	000 ⇔ 255	RGBW-Modus: 0–100% / CMY-Modus: 100–0%
122	Dimmer 10	000 ⇔ 255	0–100%
123	Feiner dimmer 10	000 ⇔ 255	0–100%
124	Rot 10	000 ⇔ 255	RGBW-Modus: 0–100% / CMY-Modus: 100–0%
125	Feines rot 10	000 ⇔ 255	RGBW-Modus: 0–100% / CMY-Modus: 100–0%
126	Grün 10	000 ⇔ 255	RGBW-Modus: 0–100% / CMY-Modus: 100–0%
127	Feines grün 10	000 ⇔ 255	RGBW-Modus: 0–100% / CMY-Modus: 100–0%
128	Blau 10	000 ⇔ 255	RGBW-Modus: 0–100% / CMY-Modus: 100–0%
129	Feines blau 10	000 ⇔ 255	RGBW-Modus: 0–100% / CMY-Modus: 100–0%
130	Weiß 10	000 ⇔ 255	RGBW-Modus: 0–100% / CMY-Modus: 100–0%
131	Feines Weiß 10	000 ⇔ 255	RGBW-Modus: 0–100% / CMY-Modus: 100–0%

Einzelsteuerung: Erweiterter Modus (113Ch)

Kanal	Funktion	Wert	Prozent/Einstellung
1	Schwenkung	000 ⇔ 255	0–100%
2	Schwenkung fein	000 ⇔ 255	0–100%
3	Neigung	000 ⇔ 255	0–100%
4	Neigung fein	000 ⇔ 255	0–100%
5	Kontinuierliche Schwenkung	000	Kein Funktion
		001 ⇔ 127	Kontinuierliche Schwenkung, schnell bis langsam
		128 129 ⇔ 255	Kein Funktion Kontinuierliche Schwenkung rückwärts, langsam bis schnell
6	Kontinuierliche Neigung	000	Kein Funktion
		001 ⇔ 127	Kontinuierliche Neigung, schnell bis langsam
		128 129 ⇔ 255	Kein Funktion Kontinuierliche Neigung rückwärts, langsam bis schnell
7	Schwenk- / Neigungsgeschwindigkeit	000 ⇔ 255	Schnell bis langsam
8	CTC	000	Kein Funktion
		001 ⇔ 255	Farbtemperatur 2800–10000 K
9	Ringfarbe	000	Kein Funktion
		001 ⇔ 002	2700K R = 156 G = 118 B = 0 W = 63
		003 ⇔ 004	3200K R = 156 G = 141 B = 5 W = 89
		005 ⇔ 006	4200K R = 156 G = 141 B = 14 W = 255
		007 ⇔ 008	5600K R = 156 G = 207 B = 54 W = 255
		009 ⇔ 010	8000K R = 130 G = 255 B = 96 W = 255
		011	Blau R = 0 G = 0 B = 255 W = 0
		012 ⇔ 048	+ Grün R = 0 G = 0–255 B = 255 W = 0
		049	Cyan R = 0 G = 255 B = 255 W = 0
		050 ⇔ 086	- Blau R = 0 G = 255 B = 255–0 W = 0
		087	Grün R = 0 G = 255 B = 0 W = 0
		088 ⇔ 124	+ Rot R = 0–255 G = 255 B = 0 W = 0
		125	Gelb R = 255 G = 255 B = 0 W = 0
		126 ⇔ 162	- Grün R = 255 G = 255–0 B = 0 W = 0
		163	Rot R = 255 G = 0 B = 0 W = 0
		164 ⇔ 200	+ Blau R = 255 G = 0 B = 0–255 W = 0
		201	Magenta R = 255 G = 0 B = 255 W = 0
		202 ⇔ 238	- Rot R = 255–0 G = 0 B = 255 W = 0
		239	Blau R = 0 G = 0 B = 255 W = 0
		240 ⇔ 247	Farbe verblassen, schnell bis langsam
248 ⇔ 255	Farbschnappschuss, schnell bis langsam		

Kanal	Funktion	Wert	Prozent/Einstellung				
10	Strahlfarbe	000	Kein Funktion				
		001 ⇔ 002	2700K	R = 156	G = 118	B = 0	W = 63
		003 ⇔ 004	3200K	R = 156	G = 141	B = 5	W = 89
		005 ⇔ 006	4200K	R = 156	G = 141	B = 14	W = 255
		007 ⇔ 008	5600K	R = 156	G = 207	B = 54	W = 255
		009 ⇔ 010	8000K	R = 130	G = 255	B = 96	W = 255
		011	Blau	R = 0	G = 0	B = 255	W = 0
		012 ⇔ 048	+ Grün	R = 0	G = 0–255	B = 255	W = 0
		049	Cyan	R = 0	G = 255	B = 255	W = 0
		050 ⇔ 086	- Blau	R = 0	G = 255	B = 255–0	W = 0
		087	Grün	R = 0	G = 255	B = 0	W = 0
		088 ⇔ 124	+ Rot	R = 0–255	G = 255	B = 0	W = 0
		125	Gelb	R = 255	G = 255	B = 0	W = 0
		126 ⇔ 162	- Grün	R = 255	G = 255–0	B = 0	W = 0
		163	Rot	R = 255	G = 0	B = 0	W = 0
		164 ⇔ 200	+ Blau	R = 255	G = 0	B = 0–255	W = 0
		201	Magenta	R = 255	G = 0	B = 255	W = 0
		202 ⇔ 238	- Red	R = 255–0	G = 0	B = 255	W = 0
		239	Blue	R = 0	G = 0	B = 255	W = 0
		240 ⇔ 247	Farbe verblassen, schnell bis langsam				
248 ⇔ 255	Farbschnappschuss, schnell bis langsam						
11	Gobo	000	Kein Funktion				
		001 ⇔ 255	Gobos (indexiert)				
12	LED Makro / Auto Programm	000 ⇔ 015	Kein Funktion				
		016 ⇔ 135	LED Makros				
		136 ⇔ 255	Auto-Programme				
13	LED Makro / Auto Programmgeschwindigkeit	000 ⇔ 127	Auto-Geschwindigkeit, schnell bis langsam				
		128	Halt				
		129 ⇔ 255	Auto-Geschwindigkeit, langsam bis schnell				
14	LED eingebaute Verzögerung	000 ⇔ 255	Schnell bis langsam				
15	Hintergrundfarbe	000	Kein Funktion				
		001 ⇔ 002	2700K	R = 156	G = 118	B = 0	W = 63
		003 ⇔ 004	3200K	R = 156	G = 141	B = 5	W = 89
		005 ⇔ 006	4200K	R = 156	G = 141	B = 14	W = 255
		007 ⇔ 008	5600K	R = 156	G = 207	B = 54	W = 255
		009 ⇔ 010	8000K	R = 130	G = 255	B = 96	W = 255
		011	Blau	R = 0	G = 0	B = 255	W = 0
		012 ⇔ 048	+ Grün	R = 0	G = 0–255	B = 255	W = 0
		049	Cyan	R = 0	G = 255	B = 255	W = 0
		050 ⇔ 086	- Blau	R = 0	G = 255	B = 255–0	W = 0
		087	Grün	R = 0	G = 255	B = 0	W = 0
		088 ⇔ 124	+ Rot	R = 0–255	G = 255	B = 0	W = 0
		125	Yellow	R = 255	G = 255	B = 0	W = 0
		126 ⇔ 162	- Grün	R = 255	G = 255–0	B = 0	W = 0
		163	Rot	R = 255	G = 0	B = 0	W = 0
		164 ⇔ 200	+ Blau	R = 255	G = 0	B = 0–255	W = 0
		201	Magenta	R = 255	G = 0	B = 255	W = 0
		202 ⇔ 238	- Rot	R = 255–0	G = 0	B = 255	W = 0
		239	Blau	R = 0	G = 0	B = 255	W = 0
		240 ⇔ 247	Farbe verblassen, schnell bis langsam				
248 ⇔ 255	Farbschnappschuss, schnell bis langsam						
16	Hintergrunddimmer	000 ⇔ 255	0–100%				
17	Hintergrund feiner Dimmer	000 ⇔ 255	0–100%				
18	Hauptdimmer	000 ⇔ 255	0–100%				
19	Haupt feiner dimmer	000 ⇔ 255	0–100%				

Kanal	Funktion	Wert	Prozent/Einstellung
20	Strahldimmer	000 ⇔ 255	0–100%
21	Strahl feiner Dimmer	000 ⇔ 255	0–100%
22	Ringverschluss	000 ⇔ 019	Aus
		020 ⇔ 024	An
		025 ⇔ 069	Strobe, von schnell nach langsam
		070 ⇔ 089	Strobe 100–0%, von schnell nach langsam
		090 ⇔ 109	Strobe 0–100%, von schnell nach langsam
		110 ⇔ 129	Zufalls-Strobe, von schnell nach langsam
		130 ⇔ 149	Zufalls-Strobe 100–0%, von schnell nach langsam
		150 ⇔ 169	Zufalls-Strobe 0–100%, von schnell nach langsam
		170 ⇔ 189	Pulse-Strobe, von schnell nach langsam
		190 ⇔ 209	Zufalls-Pulse-Strobe, von schnell nach langsam
		210 ⇔ 229	Strobe 0–100–0%, von schnell nach langsam
		230 ⇔ 244	Zufalls-Pulse-Strobe, von schnell nach langsam
245 ⇔ 255	An		
23	Strahlverschluss	000 ⇔ 019	Aus
		020 ⇔ 024	An
		025 ⇔ 069	Strobe, von schnell nach langsam
		070 ⇔ 089	Strobe 100–0%, von schnell nach langsam
		090 ⇔ 109	Strobe 0–100%, von schnell nach langsam
		110 ⇔ 129	Zufalls-Strobe, von schnell nach langsam
		130 ⇔ 149	Zufalls-Strobe 100–0%, von schnell nach langsam
		150 ⇔ 169	Zufalls-Strobe 0–100%, von schnell nach langsam
		170 ⇔ 189	Pulse-Strobe, von schnell nach langsam
		190 ⇔ 209	Zufalls-Pulse-Strobe, von schnell nach langsam
		210 ⇔ 229	Strobe 0–100–0%, von schnell nach langsam
		230 ⇔ 244	Zufalls-Pulse-Strobe, von schnell nach langsam
245 ⇔ 255	An		
24	Zoomen	000 ⇔ 255	Breit bis schmal
25	Steuerung	000 ⇔ 009	Kein Funktion
		010 ⇔ 014	Blackout bei Schwenken / Neigen
		015 ⇔ 019	Reserviert für zukünftige Verwendung
		020 ⇔ 024	RGBW-Farbmischmodus (additiv)
		025 ⇔ 029	CMY-Farbmischmodus (subtraktiv)
		030 ⇔ 049	Reserviert für zukünftige Verwendung
		050 ⇔ 054	Pan zurücksetzen
		055 ⇔ 059	Neigungsrücksetzung
		060 ⇔ 064	Zoom zurückgesetzt
		065 ⇔ 069	Reserviert für zukünftige Verwendung
		070 ⇔ 074	Alles zurücksetzen
		075 ⇔ 109	Reserviert für zukünftige Verwendung
		110 ⇔ 114	Schnelle Schwenk-/Neigegeschwindigkeit
		115 ⇔ 119	Langsame Schwenk-/Neigungsgeschwindigkeit
		120 ⇔ 124	Langsamer Lüftermodus
		125 ⇔ 129	Voller Lüftermodus
		130 ⇔ 134	Automatischer Lüftermodus
135 ⇔ 139	Schneller Dimmmodus		
140 ⇔ 144	Langsamer Dimmmodus		
145 ⇔ 255	Reserviert für zukünftige Verwendung		
26	Hauptrot	000 ⇔ 255	RGBW-Modus: 0–100% / CMY-Modus: 100–0%
27	Hauptfeines rot	000 ⇔ 255	RGBW-Modus: 0–100% / CMY-Modus: 100–0%
28	Hauptgrün	000 ⇔ 255	RGBW-Modus: 0–100% / CMY-Modus: 100–0%
29	Hauptfeines grün	000 ⇔ 255	RGBW-Modus: 0–100% / CMY-Modus: 100–0%
30	Hauptblau	000 ⇔ 255	RGBW-Modus: 0–100% / CMY-Modus: 100–0%
31	Hauptfeines Blau	000 ⇔ 255	RGBW-Modus: 0–100% / CMY-Modus: 100–0%

Kanal	Funktion	Wert	Prozent/Einstellung
32	Hauptweiß	000 ⇔ 255	RGBW-Modus: 0–100% / CMY-Modus: 100–0%
33	Haupt feines Weiß	000 ⇔ 255	RGBW-Modus: 0–100% / CMY-Modus: 100–0%
34	Rot 1	000 ⇔ 255	RGBW-Modus: 0–100% / CMY-Modus: 100–0%
35	Feines rot 1	000 ⇔ 255	RGBW-Modus: 0–100% / CMY-Modus: 100–0%
36	Grün 1	000 ⇔ 255	RGBW-Modus: 0–100% / CMY-Modus: 100–0%
37	Feines grün 1	000 ⇔ 255	RGBW-Modus: 0–100% / CMY-Modus: 100–0%
38	Blau 1	000 ⇔ 255	RGBW-Modus: 0–100% / CMY-Modus: 100–0%
39	Feines blau 1	000 ⇔ 255	RGBW-Modus: 0–100% / CMY-Modus: 100–0%
40	Weiß 1	000 ⇔ 255	RGBW-Modus: 0–100% / CMY-Modus: 100–0%
41	Feines Weiß 1	000 ⇔ 255	RGBW-Modus: 0–100% / CMY-Modus: 100–0%
42	Rot 2	000 ⇔ 255	RGBW-Modus: 0–100% / CMY-Modus: 100–0%
43	Feines rot 2	000 ⇔ 255	RGBW-Modus: 0–100% / CMY-Modus: 100–0%
44	Grün 2	000 ⇔ 255	RGBW-Modus: 0–100% / CMY-Modus: 100–0%
45	Feines grün 2	000 ⇔ 255	RGBW-Modus: 0–100% / CMY-Modus: 100–0%
46	Blau 2	000 ⇔ 255	RGBW-Modus: 0–100% / CMY-Modus: 100–0%
47	Feines blau 2	000 ⇔ 255	RGBW-Modus: 0–100% / CMY-Modus: 100–0%
48	Weiß 2	000 ⇔ 255	RGBW-Modus: 0–100% / CMY-Modus: 100–0%
49	Feines Weiß 2	000 ⇔ 255	RGBW-Modus: 0–100% / CMY-Modus: 100–0%
50	Rot 3	000 ⇔ 255	RGBW-Modus: 0–100% / CMY-Modus: 100–0%
51	Feines rot 3	000 ⇔ 255	RGBW-Modus: 0–100% / CMY-Modus: 100–0%
52	Grün 3	000 ⇔ 255	RGBW-Modus: 0–100% / CMY-Modus: 100–0%
53	Feines grün 3	000 ⇔ 255	RGBW-Modus: 0–100% / CMY-Modus: 100–0%
54	Blau 3	000 ⇔ 255	RGBW-Modus: 0–100% / CMY-Modus: 100–0%
55	Feines blau 3	000 ⇔ 255	RGBW-Modus: 0–100% / CMY-Modus: 100–0%
56	Weiß 3	000 ⇔ 255	RGBW-Modus: 0–100% / CMY-Modus: 100–0%
57	Feines Weiß 3	000 ⇔ 255	RGBW-Modus: 0–100% / CMY-Modus: 100–0%
58	Rot 4	000 ⇔ 255	RGBW-Modus: 0–100% / CMY-Modus: 100–0%
59	Feines rot 4	000 ⇔ 255	RGBW-Modus: 0–100% / CMY-Modus: 100–0%
60	Grün 4	000 ⇔ 255	RGBW-Modus: 0–100% / CMY-Modus: 100–0%
61	Feines grün 4	000 ⇔ 255	RGBW-Modus: 0–100% / CMY-Modus: 100–0%
62	Blau 4	000 ⇔ 255	RGBW-Modus: 0–100% / CMY-Modus: 100–0%
63	Feines blau 4	000 ⇔ 255	RGBW-Modus: 0–100% / CMY-Modus: 100–0%
64	Weiß 4	000 ⇔ 255	RGBW-Modus: 0–100% / CMY-Modus: 100–0%
65	Feines Weiß 4	000 ⇔ 255	RGBW-Modus: 0–100% / CMY-Modus: 100–0%
66	Rot 5	000 ⇔ 255	RGBW-Modus: 0–100% / CMY-Modus: 100–0%
67	Feines rot 5	000 ⇔ 255	RGBW-Modus: 0–100% / CMY-Modus: 100–0%
68	Grün 5	000 ⇔ 255	RGBW-Modus: 0–100% / CMY-Modus: 100–0%
69	Feines grün 5	000 ⇔ 255	RGBW-Modus: 0–100% / CMY-Modus: 100–0%
70	Blau 5	000 ⇔ 255	RGBW-Modus: 0–100% / CMY-Modus: 100–0%
71	Feines blau 5	000 ⇔ 255	RGBW-Modus: 0–100% / CMY-Modus: 100–0%
72	Weiß 5	000 ⇔ 255	RGBW-Modus: 0–100% / CMY-Modus: 100–0%
73	Feines Weiß 5	000 ⇔ 255	RGBW-Modus: 0–100% / CMY-Modus: 100–0%
74	Rot 6	000 ⇔ 255	RGBW-Modus: 0–100% / CMY-Modus: 100–0%
75	Feines rot 6	000 ⇔ 255	RGBW-Modus: 0–100% / CMY-Modus: 100–0%
76	Grün 6	000 ⇔ 255	RGBW-Modus: 0–100% / CMY-Modus: 100–0%
77	Feines grün 6	000 ⇔ 255	RGBW-Modus: 0–100% / CMY-Modus: 100–0%
78	Blau 6	000 ⇔ 255	RGBW-Modus: 0–100% / CMY-Modus: 100–0%
79	Feines blau 6	000 ⇔ 255	RGBW-Modus: 0–100% / CMY-Modus: 100–0%
80	Weiß 6	000 ⇔ 255	RGBW-Modus: 0–100% / CMY-Modus: 100–0%
81	Feines Weiß 6	000 ⇔ 255	RGBW-Modus: 0–100% / CMY-Modus: 100–0%
82	Rot 7	000 ⇔ 255	RGBW-Modus: 0–100% / CMY-Modus: 100–0%
83	Feines rot 7	000 ⇔ 255	RGBW-Modus: 0–100% / CMY-Modus: 100–0%
84	Grün 7	000 ⇔ 255	RGBW-Modus: 0–100% / CMY-Modus: 100–0%
85	Feines grün 7	000 ⇔ 255	RGBW-Modus: 0–100% / CMY-Modus: 100–0%
86	Blau 7	000 ⇔ 255	RGBW-Modus: 0–100% / CMY-Modus: 100–0%

Kanal	Funktion	Wert	Prozent/Einstellung
87	Feines blau 7	000 ⇔ 255	RGBW-Modus: 0–100% / CMY-Modus: 100–0%
88	Weiß 7	000 ⇔ 255	RGBW-Modus: 0–100% / CMY-Modus: 100–0%
89	Feines Weiß 7	000 ⇔ 255	RGBW-Modus: 0–100% / CMY-Modus: 100–0%
90	Rot 8	000 ⇔ 255	RGBW-Modus: 0–100% / CMY-Modus: 100–0%
91	Feines rot 8	000 ⇔ 255	RGBW-Modus: 0–100% / CMY-Modus: 100–0%
92	Grün 8	000 ⇔ 255	RGBW-Modus: 0–100% / CMY-Modus: 100–0%
93	Feines grün 8	000 ⇔ 255	RGBW-Modus: 0–100% / CMY-Modus: 100–0%
94	Blau 8	000 ⇔ 255	RGBW-Modus: 0–100% / CMY-Modus: 100–0%
95	Feines blau 8	000 ⇔ 255	RGBW-Modus: 0–100% / CMY-Modus: 100–0%
96	Weiß 8	000 ⇔ 255	RGBW-Modus: 0–100% / CMY-Modus: 100–0%
97	Feines Weiß 8	000 ⇔ 255	RGBW-Modus: 0–100% / CMY-Modus: 100–0%
98	Rot 9	000 ⇔ 255	RGBW-Modus: 0–100% / CMY-Modus: 100–0%
99	Feines rot 9	000 ⇔ 255	RGBW-Modus: 0–100% / CMY-Modus: 100–0%
100	Grün 9	000 ⇔ 255	RGBW-Modus: 0–100% / CMY-Modus: 100–0%
101	Feines grün 9	000 ⇔ 255	RGBW-Modus: 0–100% / CMY-Modus: 100–0%
102	Blau 9	000 ⇔ 255	RGBW-Modus: 0–100% / CMY-Modus: 100–0%
103	Feines blau 9	000 ⇔ 255	RGBW-Modus: 0–100% / CMY-Modus: 100–0%
104	Weiß 9	000 ⇔ 255	RGBW-Modus: 0–100% / CMY-Modus: 100–0%
105	Feines Weiß 9	000 ⇔ 255	RGBW-Modus: 0–100% / CMY-Modus: 100–0%
106	Rot 10	000 ⇔ 255	RGBW-Modus: 0–100% / CMY-Modus: 100–0%
107	Feines rot 10	000 ⇔ 255	RGBW-Modus: 0–100% / CMY-Modus: 100–0%
108	Grün 10	000 ⇔ 255	RGBW-Modus: 0–100% / CMY-Modus: 100–0%
109	Feines grün 10	000 ⇔ 255	RGBW-Modus: 0–100% / CMY-Modus: 100–0%
110	Blau 10	000 ⇔ 255	RGBW-Modus: 0–100% / CMY-Modus: 100–0%
111	Feines blau 10	000 ⇔ 255	RGBW-Modus: 0–100% / CMY-Modus: 100–0%
112	Weiß 10	000 ⇔ 255	RGBW-Modus: 0–100% / CMY-Modus: 100–0%
113	Feines Weiß 10	000 ⇔ 255	RGBW-Modus: 0–100% / CMY-Modus: 100–0%

Einzelsteuerung: Standardmodus (66Ch)

Kanal	Funktion	Wert	Prozent/Einstellung
1	Schwenkung	000 ⇔ 255	0–100%
2	Schwenkung fein	000 ⇔ 255	0–100%
3	Neigung	000 ⇔ 255	0–100%
4	Neigung fein	000 ⇔ 255	0–100%
5	Kontinuierliche Schwenkung	000	Kein Funktion
		001 ⇔ 127	Kontinuierliche Schwenkung, schnell bis langsam
		128	Kein Funktion
		129 ⇔ 255	Kontinuierliche Schwenkung rückwärts, langsam bis schnell
6	Kontinuierliche Neigung	000	Kein Funktion
		001 ⇔ 127	Kontinuierliche Neigung, schnell bis langsam
		128	Kein Funktion
		129 ⇔ 255	Kontinuierliche Neigung rückwärts, langsam bis schnell
7	Schwenk- / Neigungsgeschwindigkeit	000 ⇔ 255	Schnell bis langsam
8	CTC	000	Kein Funktion
		001 ⇔ 255	Farbtemperatur, 2800–10000 K
9	Ringfarbe	000	Kein Funktion
		001 ⇔ 002	2700K R = 156 G = 118 B = 0 W = 63
		003 ⇔ 004	3200K R = 156 G = 141 B = 5 W = 89
		005 ⇔ 006	4200K R = 156 G = 141 B = 14 W = 255
		007 ⇔ 008	5600K R = 156 G = 207 B = 54 W = 255
		009 ⇔ 010	8000K R = 130 G = 255 B = 96 W = 255
		011	Blau R = 0 G = 0 B = 255 W = 0
		012 ⇔ 048	+ Grün R = 0 G = 0–255 B = 255 W = 0
		049	Cyan R = 0 G = 255 B = 255 W = 0
		050 ⇔ 086	- Blau R = 0 G = 255 B = 255–0 W = 0
		087	Grün R = 0 G = 255 B = 0 W = 0
		088 ⇔ 124	+ Rot R = 0–255 G = 255 B = 0 W = 0
		125	Gelb R = 255 G = 255 B = 0 W = 0
		126 ⇔ 162	- Grün R = 255 G = 255–0 B = 0 W = 0
		163	Rot R = 255 G = 0 B = 0 W = 0
		164 ⇔ 200	+ Blau R = 255 G = 0 B = 0–255 W = 0
		201	Magenta R = 255 G = 0 B = 255 W = 0
		202 ⇔ 238	- Rot R = 255–0 G = 0 B = 255 W = 0
		239	Blau R = 0 G = 0 B = 255 W = 0
		240 ⇔ 247	Farbe verblassen, schnell bis langsam
248 ⇔ 255	Farbschnappschuss, schnell bis langsam		

Kanal	Funktion	Wert	Prozent/Einstellung				
10	Strahlfarbe	000	Kein Funktion				
		001 ⇔ 002	2700K	R = 156	G = 118	B = 0	W = 63
		003 ⇔ 004	3200K	R = 156	G = 141	B = 5	W = 89
		005 ⇔ 006	4200K	R = 156	G = 141	B = 14	W = 255
		007 ⇔ 008	5600K	R = 156	G = 207	B = 54	W = 255
		009 ⇔ 010	8000K	R = 130	G = 255	B = 96	W = 255
		011	Blau	R = 0	G = 0	B = 255	W = 0
		012 ⇔ 048	+ Grün	R = 0	G = 0–255	B = 255	W = 0
		049	Cyan	R = 0	G = 255	B = 255	W = 0
		050 ⇔ 086	- Blau	R = 0	G = 255	B = 255–0	W = 0
		087	Grün	R = 0	G = 255	B = 0	W = 0
		088 ⇔ 124	+ Rot	R = 0–255	G = 255	B = 0	W = 0
		125	Gelb	R = 255	G = 255	B = 0	W = 0
		126 ⇔ 162	- Grün	R = 255	G = 255–0	B = 0	W = 0
		163	Rot	R = 255	G = 0	B = 0	W = 0
		164 ⇔ 200	+ Blau	R = 255	G = 0	B = 0–255	W = 0
		201	Magenta	R = 255	G = 0	B = 255	W = 0
		202 ⇔ 238	- Red	R = 255–0	G = 0	B = 255	W = 0
		239	Blue	R = 0	G = 0	B = 255	W = 0
		240 ⇔ 247	Farbe verblassen, schnell bis langsam				
248 ⇔ 255	Farbschnappschuss, schnell bis langsam						
11	Gobo	000	Kein Funktion				
		001 ⇔ 255	Gobos (indexiert)				
12	LED Makro / Auto Programm	000 ⇔ 015	Kein Funktion				
		016 ⇔ 135	LED Makros				
		136 ⇔ 255	Auto-Programme				
13	LED Makro / Auto Programmgeschwindigkeit	000 ⇔ 127	Auto-Geschwindigkeit, schnell bis langsam				
		128	Halt				
		129 ⇔ 255	Auto-Geschwindigkeit, langsam bis schnell				
14	LED eingebaute Verzögerung	000 ⇔ 255	Schnell bis langsam				
15	Hintergrundfarbe	000	Kein Funktion				
		001 ⇔ 002	2700K	R = 156	G = 118	B = 0	W = 63
		003 ⇔ 004	3200K	R = 156	G = 141	B = 5	W = 89
		005 ⇔ 006	4200K	R = 156	G = 141	B = 14	W = 255
		007 ⇔ 008	5600K	R = 156	G = 207	B = 54	W = 255
		009 ⇔ 010	8000K	R = 130	G = 255	B = 96	W = 255
		011	Blau	R = 0	G = 0	B = 255	W = 0
		012 ⇔ 048	+ Grün	R = 0	G = 0–255	B = 255	W = 0
		049	Cyan	R = 0	G = 255	B = 255	W = 0
		050 ⇔ 086	- Blau	R = 0	G = 255	B = 255–0	W = 0
		087	Grün	R = 0	G = 255	B = 0	W = 0
		088 ⇔ 124	+ Rot	R = 0–255	G = 255	B = 0	W = 0
		125	Yellow	R = 255	G = 255	B = 0	W = 0
		126 ⇔ 162	- Grün	R = 255	G = 255–0	B = 0	W = 0
		163	Rot	R = 255	G = 0	B = 0	W = 0
		164 ⇔ 200	+ Blau	R = 255	G = 0	B = 0–255	W = 0
		201	Magenta	R = 255	G = 0	B = 255	W = 0
		202 ⇔ 238	- Rot	R = 255–0	G = 0	B = 255	W = 0
		239	Blau	R = 0	G = 0	B = 255	W = 0
		240 ⇔ 247	Farbe verblassen, schnell bis langsam				
248 ⇔ 255	Farbschnappschuss, schnell bis langsam						
16	Hintergrunddimmer	000 ⇔ 255	0–100%				
17	Hauptdimmer	000 ⇔ 255	0–100%				
18	Strahldimmer	000 ⇔ 255	0–100%				

Kanal	Funktion	Wert	Prozent/Einstellung
19	Ringverschluss	000 ⇔ 019	Aus
		020 ⇔ 024	An
		025 ⇔ 069	Strobe, von schnell nach langsam
		070 ⇔ 089	Strobe 100–0%, von schnell nach langsam
		090 ⇔ 109	Strobe 0–100%, von schnell nach langsam
		110 ⇔ 129	Zufalls-Strobe, von schnell nach langsam
		130 ⇔ 149	Zufalls-Strobe 100–0%, von schnell nach langsam
		150 ⇔ 169	Zufalls-Strobe 0–100%, von schnell nach langsam
		170 ⇔ 189	Pulse-Strobe, von schnell nach langsam
		190 ⇔ 209	Zufalls-Pulse-Strobe, von schnell nach langsam
		210 ⇔ 229	Strobe 0–100–0%, von schnell nach langsam
		230 ⇔ 244	Zufalls-Pulse-Strobe, von schnell nach langsam
		245 ⇔ 255	An
20	Strahlverschluss	000 ⇔ 019	Aus
		020 ⇔ 024	An
		025 ⇔ 069	Strobe, von schnell nach langsam
		070 ⇔ 089	Strobe 100–0%, von schnell nach langsam
		090 ⇔ 109	Strobe 0–100%, von schnell nach langsam
		110 ⇔ 129	Zufalls-Strobe, von schnell nach langsam
		130 ⇔ 149	Zufalls-Strobe 100–0%, von schnell nach langsam
		150 ⇔ 169	Zufalls-Strobe 0–100%, von schnell nach langsam
		170 ⇔ 189	Pulse-Strobe, von schnell nach langsam
		190 ⇔ 209	Zufalls-Pulse-Strobe, von schnell nach langsam
		210 ⇔ 229	Strobe 0–100–0%, von schnell nach langsam
		230 ⇔ 244	Zufalls-Pulse-Strobe, von schnell nach langsam
		245 ⇔ 255	An
21	Zoomen	000 ⇔ 255	Breit bis schmal
22	Steuerung	000 ⇔ 009	Kein Funktion
		010 ⇔ 014	Blackout bei Schwenken / Neigen
		015 ⇔ 019	Reserviert für zukünftige Verwendung
		020 ⇔ 024	RGBW-Farbmischmodus (additiv)
		025 ⇔ 029	CMY-Farbmischmodus (subtraktiv)
		030 ⇔ 049	Reserviert für zukünftige Verwendung
		050 ⇔ 054	Pan zurücksetzen
		055 ⇔ 059	Neigungsrücksetzung
		060 ⇔ 064	Zoom zurückgesetzt
		065 ⇔ 069	Reserviert für zukünftige Verwendung
		070 ⇔ 074	Alles zurücksetzen
		075 ⇔ 109	Reserviert für zukünftige Verwendung
		110 ⇔ 114	Schnelle Schwenk-/Neigegewindigkeit
		115 ⇔ 119	Langsame Schwenk-/Neigungsgeschwindigkeit
		120 ⇔ 124	Langsamer Lüftermodus
		125 ⇔ 129	Voller Lüftermodus
		130 ⇔ 134	Automatischer Lüftermodus
135 ⇔ 139	Schneller Dimmmodus		
140 ⇔ 144	Langsamer Dimmmodus		
145 ⇔ 255	Reserviert für zukünftige Verwendung		
23	Hauptrot	000 ⇔ 255	RGBW-Modus: 0–100% / CMY-Modus: 100–0%
24	Hauptgrün	000 ⇔ 255	RGBW-Modus: 0–100% / CMY-Modus: 100–0%
25	Hauptblau	000 ⇔ 255	RGBW-Modus: 0–100% / CMY-Modus: 100–0%
26	Hauptweiß	000 ⇔ 255	RGBW-Modus: 0–100% / CMY-Modus: 100–0%
27	Rot 1	000 ⇔ 255	RGBW-Modus: 0–100% / CMY-Modus: 100–0%
28	Grün 1	000 ⇔ 255	RGBW-Modus: 0–100% / CMY-Modus: 100–0%
29	Blau 1	000 ⇔ 255	RGBW-Modus: 0–100% / CMY-Modus: 100–0%
30	Weiß 1	000 ⇔ 255	RGBW-Modus: 0–100% / CMY-Modus: 100–0%

Kanal	Funktion	Wert	Prozent/Einstellung
31	Rot 2	000 ⇔ 255	RGBW-Modus: 0–100% / CMY-Modus: 100–0%
32	Grün 2	000 ⇔ 255	RGBW-Modus: 0–100% / CMY-Modus: 100–0%
33	Blau 2	000 ⇔ 255	RGBW-Modus: 0–100% / CMY-Modus: 100–0%
34	Weiß 2	000 ⇔ 255	RGBW-Modus: 0–100% / CMY-Modus: 100–0%
35	Rot 3	000 ⇔ 255	RGBW-Modus: 0–100% / CMY-Modus: 100–0%
36	Grün 3	000 ⇔ 255	RGBW-Modus: 0–100% / CMY-Modus: 100–0%
37	Blau 3	000 ⇔ 255	RGBW-Modus: 0–100% / CMY-Modus: 100–0%
38	Weiß 3	000 ⇔ 255	RGBW-Modus: 0–100% / CMY-Modus: 100–0%
39	Rot 4	000 ⇔ 255	RGBW-Modus: 0–100% / CMY-Modus: 100–0%
40	Grün 4	000 ⇔ 255	RGBW-Modus: 0–100% / CMY-Modus: 100–0%
41	Blau 4	000 ⇔ 255	RGBW-Modus: 0–100% / CMY-Modus: 100–0%
42	Weiß 4	000 ⇔ 255	RGBW-Modus: 0–100% / CMY-Modus: 100–0%
43	Rot 5	000 ⇔ 255	RGBW-Modus: 0–100% / CMY-Modus: 100–0%
44	Grün 5	000 ⇔ 255	RGBW-Modus: 0–100% / CMY-Modus: 100–0%
45	Blau 5	000 ⇔ 255	RGBW-Modus: 0–100% / CMY-Modus: 100–0%
46	Weiß 5	000 ⇔ 255	RGBW-Modus: 0–100% / CMY-Modus: 100–0%
47	Rot 6	000 ⇔ 255	RGBW-Modus: 0–100% / CMY-Modus: 100–0%
48	Grün 6	000 ⇔ 255	RGBW-Modus: 0–100% / CMY-Modus: 100–0%
49	Blau 6	000 ⇔ 255	RGBW-Modus: 0–100% / CMY-Modus: 100–0%
50	Weiß 6	000 ⇔ 255	RGBW-Modus: 0–100% / CMY-Modus: 100–0%
51	Rot 7	000 ⇔ 255	RGBW-Modus: 0–100% / CMY-Modus: 100–0%
52	Grün 7	000 ⇔ 255	RGBW-Modus: 0–100% / CMY-Modus: 100–0%
53	Blau 7	000 ⇔ 255	RGBW-Modus: 0–100% / CMY-Modus: 100–0%
54	Weiß 7	000 ⇔ 255	RGBW-Modus: 0–100% / CMY-Modus: 100–0%
55	Rot 8	000 ⇔ 255	RGBW-Modus: 0–100% / CMY-Modus: 100–0%
56	Grün 8	000 ⇔ 255	RGBW-Modus: 0–100% / CMY-Modus: 100–0%
57	Blau 8	000 ⇔ 255	RGBW-Modus: 0–100% / CMY-Modus: 100–0%
58	Weiß 8	000 ⇔ 255	RGBW-Modus: 0–100% / CMY-Modus: 100–0%
59	Rot 9	000 ⇔ 255	RGBW-Modus: 0–100% / CMY-Modus: 100–0%
60	Grün 9	000 ⇔ 255	RGBW-Modus: 0–100% / CMY-Modus: 100–0%
61	Blau 9	000 ⇔ 255	RGBW-Modus: 0–100% / CMY-Modus: 100–0%
62	Weiß 9	000 ⇔ 255	RGBW-Modus: 0–100% / CMY-Modus: 100–0%
63	Rot 10	000 ⇔ 255	RGBW-Modus: 0–100% / CMY-Modus: 100–0%
64	Grün 10	000 ⇔ 255	RGBW-Modus: 0–100% / CMY-Modus: 100–0%
65	Blau 10	000 ⇔ 255	RGBW-Modus: 0–100% / CMY-Modus: 100–0%
66	Weiß 10	000 ⇔ 255	RGBW-Modus: 0–100% / CMY-Modus: 100–0%

Einzelsteuerung: Grundmodus (26Ch)

Kanal	Funktion	Wert	Prozent/Einstellung
1	Schwenkung	000 ⇔ 255	0–100%
2	Schwenkung fein	000 ⇔ 255	0–100%
3	Neigung	000 ⇔ 255	0–100%
4	Neigung fein	000 ⇔ 255	0–100%
5	Kontinuierliche Schwenkung	000	Kein Funktion
		001 ⇔ 127	Kontinuierliche Schwenkung, schnell bis langsam
		128 129 ⇔ 255	Kein Funktion Kontinuierliche Schwenkung rückwärts, langsam bis schnell
6	Kontinuierliche Neigung	000	Kein Funktion
		001 ⇔ 127	Kontinuierliche Neigung, schnell bis langsam
		128 129 ⇔ 255	Kein Funktion Kontinuierliche Neigung rückwärts, langsam bis schnell
7	Schwenk- / Neigungsgeschwindigkeit	000 ⇔ 255	Schnell bis langsam
8	CTC	000	Kein Funktion
		001 ⇔ 255	Farbtemperatur, 2800–10000 K
9	Ringfarbe	000	Kein Funktion
		001 ⇔ 002	2700K R = 156 G = 118 B = 0 W = 63
		003 ⇔ 004	3200K R = 156 G = 141 B = 5 W = 89
		005 ⇔ 006	4200K R = 156 G = 141 B = 14 W = 255
		007 ⇔ 008	5600K R = 156 G = 207 B = 54 W = 255
		009 ⇔ 010	8000K R = 130 G = 255 B = 96 W = 255
		011	Blau R = 0 G = 0 B = 255 W = 0
		012 ⇔ 048	+ Grün R = 0 G = 0–255 B = 255 W = 0
		049	Cyan R = 0 G = 255 B = 255 W = 0
		050 ⇔ 086	- Blau R = 0 G = 255 B = 255–0 W = 0
		087	Grün R = 0 G = 255 B = 0 W = 0
		088 ⇔ 124	+ Rot R = 0–255 G = 255 B = 0 W = 0
		125	Gelb R = 255 G = 255 B = 0 W = 0
		126 ⇔ 162	- Grün R = 255 G = 255–0 B = 0 W = 0
		163	Rot R = 255 G = 0 B = 0 W = 0
		164 ⇔ 200	+ Blau R = 255 G = 0 B = 0–255 W = 0
		201	Magenta R = 255 G = 0 B = 255 W = 0
		202 ⇔ 238	- Rot R = 255–0 G = 0 B = 255 W = 0
		239	Blau R = 0 G = 0 B = 255 W = 0
		240 ⇔ 247	Farbe verblassen, schnell bis langsam
248 ⇔ 255	Farbschnappschuss, schnell bis langsam		

Kanal	Funktion	Wert	Prozent/Einstellung
10	Strahlfarbe	000	Kein Funktion
		001 ⇔ 002	2700K R = 156 G = 118 B = 0 W = 63
		003 ⇔ 004	3200K R = 156 G = 141 B = 5 W = 89
		005 ⇔ 006	4200K R = 156 G = 141 B = 14 W = 255
		007 ⇔ 008	5600K R = 156 G = 207 B = 54 W = 255
		009 ⇔ 010	8000K R = 130 G = 255 B = 96 W = 255
		011	Blau R = 0 G = 0 B = 255 W = 0
		012 ⇔ 048	+ Grün R = 0 G = 0-255 B = 255 W = 0
		049	Cyan R = 0 G = 255 B = 255 W = 0
		050 ⇔ 086	- Blau R = 0 G = 255 B = 255-0 W = 0
		087	Grün R = 0 G = 255 B = 0 W = 0
		088 ⇔ 124	+ Rot R = 0-255 G = 255 B = 0 W = 0
		125	Gelb R = 255 G = 255 B = 0 W = 0
		126 ⇔ 162	- Grün R = 255 G = 255-0 B = 0 W = 0
		163	Rot R = 255 G = 0 B = 0 W = 0
		164 ⇔ 200	+ Blau R = 255 G = 0 B = 0-255 W = 0
		201	Magenta R = 255 G = 0 B = 255 W = 0
		202 ⇔ 238	- Red R = 255-0 G = 0 B = 255 W = 0
		239	Blue R = 0 G = 0 B = 255 W = 0
		240 ⇔ 247	Farbe verblassen, schnell bis langsam
248 ⇔ 255	Farbschnappschuss, schnell bis langsam		
11	Gobo	000	Kein Funktion
		001 ⇔ 255	Gobos (indexiert)
12	LED Makro / Auto Programm	000 ⇔ 015	Kein Funktion
		016 ⇔ 135	LED Makros
		136 ⇔ 255	Auto-Programme
13	LED Makro / Auto Programmgeschwindigkeit	000 ⇔ 127	Auto-Geschwindigkeit, schnell bis langsam
		128	Halt
		129 ⇔ 255	Auto-Geschwindigkeit, langsam bis schnell
14	LED eingebaute Verzögerung	000 ⇔ 255	Schnell bis langsam
15	Hintergrundfarbe	000	Kein Funktion
		001 ⇔ 002	2700K R = 156 G = 118 B = 0 W = 63
		003 ⇔ 004	3200K R = 156 G = 141 B = 5 W = 89
		005 ⇔ 006	4200K R = 156 G = 141 B = 14 W = 255
		007 ⇔ 008	5600K R = 156 G = 207 B = 54 W = 255
		009 ⇔ 010	8000K R = 130 G = 255 B = 96 W = 255
		011	Blau R = 0 G = 0 B = 255 W = 0
		012 ⇔ 048	+ Grün R = 0 G = 0-255 B = 255 W = 0
		049	Cyan R = 0 G = 255 B = 255 W = 0
		050 ⇔ 086	- Blau R = 0 G = 255 B = 255-0 W = 0
		087	Grün R = 0 G = 255 B = 0 W = 0
		088 ⇔ 124	+ Rot R = 0-255 G = 255 B = 0 W = 0
		125	Yellow R = 255 G = 255 B = 0 W = 0
		126 ⇔ 162	- Grün R = 255 G = 255-0 B = 0 W = 0
		163	Rot R = 255 G = 0 B = 0 W = 0
		164 ⇔ 200	+ Blau R = 255 G = 0 B = 0-255 W = 0
		201	Magenta R = 255 G = 0 B = 255 W = 0
		202 ⇔ 238	- Rot R = 255-0 G = 0 B = 255 W = 0
		239	Blau R = 0 G = 0 B = 255 W = 0
		240 ⇔ 247	Farbe verblassen, schnell bis langsam
248 ⇔ 255	Farbschnappschuss, schnell bis langsam		
16	Hintergrunddimmer	000 ⇔ 255	0-100%
17	Hauptdimmer	000 ⇔ 255	0-100%
18	Strahldimmer	000 ⇔ 255	0-100%

Kanal	Funktion	Wert	Prozent/Einstellung
19	Ringverschluss	000 ⇔ 019	Aus
		020 ⇔ 024	An
		025 ⇔ 069	Strobe, von schnell nach langsam
		070 ⇔ 089	Strobe 100–0%, von schnell nach langsam
		090 ⇔ 109	Strobe 0–100%, von schnell nach langsam
		110 ⇔ 129	Zufalls-Strobe, von schnell nach langsam
		130 ⇔ 149	Zufalls-Strobe 100–0%, von schnell nach langsam
		150 ⇔ 169	Zufalls-Strobe 0–100%, von schnell nach langsam
		170 ⇔ 189	Pulse-Strobe, von schnell nach langsam
		190 ⇔ 209	Zufalls-Pulse-Strobe, von schnell nach langsam
		210 ⇔ 229	Strobe 0–100–0%, von schnell nach langsam
		230 ⇔ 244	Zufalls-Pulse-Strobe, von schnell nach langsam
		245 ⇔ 255	An
20	Strahlverschluss	000 ⇔ 019	Aus
		020 ⇔ 024	An
		025 ⇔ 069	Strobe, von schnell nach langsam
		070 ⇔ 089	Strobe 100–0%, von schnell nach langsam
		090 ⇔ 109	Strobe 0–100%, von schnell nach langsam
		110 ⇔ 129	Zufalls-Strobe, von schnell nach langsam
		130 ⇔ 149	Zufalls-Strobe 100–0%, von schnell nach langsam
		150 ⇔ 169	Zufalls-Strobe 0–100%, von schnell nach langsam
		170 ⇔ 189	Pulse-Strobe, von schnell nach langsam
		190 ⇔ 209	Zufalls-Pulse-Strobe, von schnell nach langsam
		210 ⇔ 229	Strobe 0–100–0%, von schnell nach langsam
		230 ⇔ 244	Zufalls-Pulse-Strobe, von schnell nach langsam
		245 ⇔ 255	An
21	Zoomen	000 ⇔ 255	Breit bis schmal
22	Steuerung	000 ⇔ 009	Kein Funktion
		010 ⇔ 014	Blackout bei Schwenken / Neigen
		015 ⇔ 019	Reserviert für zukünftige Verwendung
		020 ⇔ 024	RGBW-Farbmischmodus (additiv)
		025 ⇔ 029	CMY-Farbmischmodus (subtraktiv)
		030 ⇔ 049	Reserviert für zukünftige Verwendung
		050 ⇔ 054	Pan zurücksetzen
		055 ⇔ 059	Neigungsrücksetzung
		060 ⇔ 064	Zoom zurückgesetzt
		065 ⇔ 069	Reserviert für zukünftige Verwendung
		070 ⇔ 074	Alles zurücksetzen
		075 ⇔ 109	Reserviert für zukünftige Verwendung
		110 ⇔ 114	Schnelle Schwenk-/Neigegeschwindigkeit
		115 ⇔ 119	Langsame Schwenk-/Neigungsgeschwindigkeit
		120 ⇔ 124	Langsamer Lüftermodus
		125 ⇔ 129	Voller Lüftermodus
		130 ⇔ 134	Automatischer Lüftermodus
135 ⇔ 139	Schneller Dimmmodus		
140 ⇔ 144	Langsamer Dimmmodus		
145 ⇔ 255	Reserviert für zukünftige Verwendung		
23	Hauptrot	000 ⇔ 255	RGBW-Modus: 0–100% / CMY-Modus: 100–0%
24	Hauptgrün	000 ⇔ 255	RGBW-Modus: 0–100% / CMY-Modus: 100–0%
25	Hauptblau	000 ⇔ 255	RGBW-Modus: 0–100% / CMY-Modus: 100–0%
26	Hauptweiß	000 ⇔ 255	RGBW-Modus: 0–100% / CMY-Modus: 100–0%

Dual-Steuerung Bewegung

Dual Steuerung: Erweiterter Bewegungsmodus (41Ch)

Kanal	Funktion	Wert	Prozent/Einstellung
1	Schwenkung	000 ⇔ 255	0–100%
2	Schwenkung fein	000 ⇔ 255	0–100%
3	Neigung	000 ⇔ 255	0–100%
4	Neigung fein	000 ⇔ 255	0–100%
5	Kontinuierliche Schwenkung	000	Kein Funktion
		001 ⇔ 127	Kontinuierliche Schwenkung, schnell bis langsam
		128 129 ⇔ 255	Kein Funktion Kontinuierliche Schwenkung rückwärts, langsam bis schnell
6	Kontinuierliche Neigung	000	Kein Funktion
		001 ⇔ 127	Kontinuierliche Neigung, schnell bis langsam
		128 129 ⇔ 255	Kein Funktion Kontinuierliche Neigung rückwärts, langsam bis schnell
7	Schwenk- / Neigungsgeschwindigkeit	000 ⇔ 255	Schnell bis langsam
8	CTC	000	Kein Funktion
		001 ⇔ 255	Farbtemperatur, 2800–10000 K
9	Ringfarbe	000	Kein Funktion
		001 ⇔ 002	2700K R = 156 G = 118 B = 0 W = 63
		003 ⇔ 004	3200K R = 156 G = 141 B = 5 W = 89
		005 ⇔ 006	4200K R = 156 G = 141 B = 14 W = 255
		007 ⇔ 008	5600K R = 156 G = 207 B = 54 W = 255
		009 ⇔ 010	8000K R = 130 G = 255 B = 96 W = 255
		011	Blau R = 0 G = 0 B = 255 W = 0
		012 ⇔ 048	+ Grün R = 0 G = 0–255 B = 255 W = 0
		049	Cyan R = 0 G = 255 B = 255 W = 0
		050 ⇔ 086	- Blau R = 0 G = 255 B = 255–0 W = 0
		087	Grün R = 0 G = 255 B = 0 W = 0
		088 ⇔ 124	+ Rot R = 0–255 G = 255 B = 0 W = 0
		125	Gelb R = 255 G = 255 B = 0 W = 0
		126 ⇔ 162	- Grün R = 255 G = 255–0 B = 0 W = 0
		163	Rot R = 255 G = 0 B = 0 W = 0
		164 ⇔ 200	+ Blau R = 255 G = 0 B = 0–255 W = 0
		201	Magenta R = 255 G = 0 B = 255 W = 0
		202 ⇔ 238	- Rot R = 255–0 G = 0 B = 255 W = 0
239	Blau R = 0 G = 0 B = 255 W = 0		
240 ⇔ 247	Farbe verblassen, schnell bis langsam		
248 ⇔ 255	Farbschnappschuss, schnell bis langsam		

Kanal	Funktion	Wert	Prozent/Einstellung				
10	Strahlfarbe	000	Kein Funktion				
		001 ⇔ 002	2700K	R = 156	G = 118	B = 0	W = 63
		003 ⇔ 004	3200K	R = 156	G = 141	B = 5	W = 89
		005 ⇔ 006	4200K	R = 156	G = 141	B = 14	W = 255
		007 ⇔ 008	5600K	R = 156	G = 207	B = 54	W = 255
		009 ⇔ 010	8000K	R = 130	G = 255	B = 96	W = 255
		011	Blau	R = 0	G = 0	B = 255	W = 0
		012 ⇔ 048	+ Grün	R = 0	G = 0–255	B = 255	W = 0
		049	Cyan	R = 0	G = 255	B = 255	W = 0
		050 ⇔ 086	- Blau	R = 0	G = 255	B = 255–0	W = 0
		087	Grün	R = 0	G = 255	B = 0	W = 0
		088 ⇔ 124	+ Rot	R = 0–255	G = 255	B = 0	W = 0
		125	Gelb	R = 255	G = 255	B = 0	W = 0
		126 ⇔ 162	- Grün	R = 255	G = 255–0	B = 0	W = 0
		163	Rot	R = 255	G = 0	B = 0	W = 0
		164 ⇔ 200	+ Blau	R = 255	G = 0	B = 0–255	W = 0
		201	Magenta	R = 255	G = 0	B = 255	W = 0
		202 ⇔ 238	- Red	R = 255–0	G = 0	B = 255	W = 0
		239	Blue	R = 0	G = 0	B = 255	W = 0
		240 ⇔ 247	Farbe verblassen, schnell bis langsam				
248 ⇔ 255	Farbschnappschuss, schnell bis langsam						
11	Gobo	000	Kein Funktion				
		001 ⇔ 255	Gobos (indexiert)				
12	LED Makro / Auto Programm	000 ⇔ 015	Kein Funktion				
		016 ⇔ 135	LED Makros				
		136 ⇔ 255	Auto-Programme				
13	LED Makro / Auto Programmgeschwindigkeit	000 ⇔ 127	Auto-Geschwindigkeit, schnell bis langsam				
		128	Halt				
		129 ⇔ 255	Auto-Geschwindigkeit, langsam bis schnell				
14	LED eingebaute Verzögerung	000 ⇔ 255	Schnell bis langsam				
15	Hintergrundfarbe	000	Kein Funktion				
		001 ⇔ 002	2700K	R = 156	G = 118	B = 0	W = 63
		003 ⇔ 004	3200K	R = 156	G = 141	B = 5	W = 89
		005 ⇔ 006	4200K	R = 156	G = 141	B = 14	W = 255
		007 ⇔ 008	5600K	R = 156	G = 207	B = 54	W = 255
		009 ⇔ 010	8000K	R = 130	G = 255	B = 96	W = 255
		011	Blau	R = 0	G = 0	B = 255	W = 0
		012 ⇔ 048	+ Grün	R = 0	G = 0–255	B = 255	W = 0
		049	Cyan	R = 0	G = 255	B = 255	W = 0
		050 ⇔ 086	- Blau	R = 0	G = 255	B = 255–0	W = 0
		087	Grün	R = 0	G = 255	B = 0	W = 0
		088 ⇔ 124	+ Rot	R = 0–255	G = 255	B = 0	W = 0
		125	Yellow	R = 255	G = 255	B = 0	W = 0
		126 ⇔ 162	- Grün	R = 255	G = 255–0	B = 0	W = 0
		163	Rot	R = 255	G = 0	B = 0	W = 0
		164 ⇔ 200	+ Blau	R = 255	G = 0	B = 0–255	W = 0
		201	Magenta	R = 255	G = 0	B = 255	W = 0
		202 ⇔ 238	- Rot	R = 255–0	G = 0	B = 255	W = 0
		239	Blau	R = 0	G = 0	B = 255	W = 0
		240 ⇔ 247	Farbe verblassen, schnell bis langsam				
248 ⇔ 255	Farbschnappschuss, schnell bis langsam						
16	Hintergrunddimmer	000 ⇔ 255	0–100%				
17	Hintergrund feiner Dimmer	000 ⇔ 255	0–100%				
18	Hauptdimmer	000 ⇔ 255	0–100%				
19	Haupt feiner dimmer	000 ⇔ 255	0–100%				

Kanal	Funktion	Wert	Prozent/Einstellung
20	Strahldimmer	000 ⇔ 255	0–100%
21	Strahl feiner Dimmer	000 ⇔ 255	0–100%
22	Ringverschluss	000 ⇔ 019	Aus
		020 ⇔ 024	An
		025 ⇔ 069	Strobe, von schnell nach langsam
		070 ⇔ 089	Strobe 100–0%, von schnell nach langsam
		090 ⇔ 109	Strobe 0–100%, von schnell nach langsam
		110 ⇔ 129	Zufalls-Strobe, von schnell nach langsam
		130 ⇔ 149	Zufalls-Strobe 100–0%, von schnell nach langsam
		150 ⇔ 169	Zufalls-Strobe 0–100%, von schnell nach langsam
		170 ⇔ 189	Pulse-Strobe, von schnell nach langsam
		190 ⇔ 209	Zufalls-Pulse-Strobe, von schnell nach langsam
		210 ⇔ 229	Strobe 0–100–0%, von schnell nach langsam
		230 ⇔ 244	Zufalls-Pulse-Strobe, von schnell nach langsam
245 ⇔ 255	An		
23	Strahlverschluss	000 ⇔ 019	Aus
		020 ⇔ 024	An
		025 ⇔ 069	Strobe, von schnell nach langsam
		070 ⇔ 089	Strobe 100–0%, von schnell nach langsam
		090 ⇔ 109	Strobe 0–100%, von schnell nach langsam
		110 ⇔ 129	Zufalls-Strobe, von schnell nach langsam
		130 ⇔ 149	Zufalls-Strobe 100–0%, von schnell nach langsam
		150 ⇔ 169	Zufalls-Strobe 0–100%, von schnell nach langsam
		170 ⇔ 189	Pulse-Strobe, von schnell nach langsam
		190 ⇔ 209	Zufalls-Pulse-Strobe, von schnell nach langsam
		210 ⇔ 229	Strobe 0–100–0%, von schnell nach langsam
		230 ⇔ 244	Zufalls-Pulse-Strobe, von schnell nach langsam
245 ⇔ 255	An		
24	Zoomen	000 ⇔ 255	Breit bis schmal
25	Steuerung	000 ⇔ 009	Kein Funktion
		010 ⇔ 014	Blackout bei Schwenken / Neigen
		015 ⇔ 019	Reserviert für zukünftige Verwendung
		020 ⇔ 024	RGBW-Farbmischmodus (additiv)
		025 ⇔ 029	CMY-Farbmischmodus (subtraktiv)
		030 ⇔ 049	Reserviert für zukünftige Verwendung
		050 ⇔ 054	Pan zurücksetzen
		055 ⇔ 059	Neigungsrücksetzung
		060 ⇔ 064	Zoom zurückgesetzt
		065 ⇔ 069	Reserviert für zukünftige Verwendung
		070 ⇔ 074	Alles zurücksetzen
		075 ⇔ 109	Reserviert für zukünftige Verwendung
		110 ⇔ 114	Schnelle Schwenk-/Neigegeschwindigkeit
		115 ⇔ 119	Langsame Schwenk-/Neigungsgeschwindigkeit
		120 ⇔ 124	Langsamer Lüftermodus
		125 ⇔ 129	Voller Lüftermodus
		130 ⇔ 134	Automatischer Lüftermodus
135 ⇔ 139	Schneller Dimmmodus		
140 ⇔ 144	Langsamer Dimmmodus		
145 ⇔ 255	Reserviert für zukünftige Verwendung		
26	Ring Rot	000 ⇔ 255	RGBW-Modus: 0–100% / CMY-Modus: 100–0%
27	Feiner ring rot	000 ⇔ 255	RGBW-Modus: 0–100% / CMY-Modus: 100–0%
28	Strahl rot	000 ⇔ 255	RGBW-Modus: 0–100% / CMY-Modus: 100–0%
29	Feinstrahl Rot	000 ⇔ 255	RGBW-Modus: 0–100% / CMY-Modus: 100–0%
30	Ring grün	000 ⇔ 255	RGBW-Modus: 0–100% / CMY-Modus: 100–0%
31	Feines Ringgrün	000 ⇔ 255	RGBW-Modus: 0–100% / CMY-Modus: 100–0%

Kanal	Funktion	Wert	Prozent/Einstellung
32	Strahl grün	000 ⇔ 255	RGBW-Modus: 0–100% / CMY-Modus: 100–0%
33	Feinstrahl Grün	000 ⇔ 255	RGBW-Modus: 0–100% / CMY-Modus: 100–0%
34	Ring blau	000 ⇔ 255	RGBW-Modus: 0–100% / CMY-Modus: 100–0%
35	Feines Ringblau	000 ⇔ 255	RGBW-Modus: 0–100% / CMY-Modus: 100–0%
36	Strahl blau	000 ⇔ 255	RGBW-Modus: 0–100% / CMY-Modus: 100–0%
37	Feinstrahl Blau	000 ⇔ 255	RGBW-Modus: 0–100% / CMY-Modus: 100–0%
38	Ring Weiß	000 ⇔ 255	RGBW-Modus: 0–100% / CMY-Modus: 100–0%
39	Feiner Ring Weiß	000 ⇔ 255	RGBW-Modus: 0–100% / CMY-Modus: 100–0%
40	Strahl Weiß	000 ⇔ 255	RGBW-Modus: 0–100% / CMY-Modus: 100–0%
41	Feinstrahl Weiß	000 ⇔ 255	RGBW-Modus: 0–100% / CMY-Modus: 100–0%

Dual Steuerung: Standardbewegungsmodus (30Ch)

Kanal	Funktion	Wert	Prozent/Einstellung
1	Schwenkung	000 ⇔ 255	0–100%
2	Schwenkung fein	000 ⇔ 255	0–100%
3	Neigung	000 ⇔ 255	0–100%
4	Neigung fein	000 ⇔ 255	0–100%
5	Kontinuierliche Schwenkung	000	Kein Funktion
		001 ⇔ 127	Kontinuierliche Schwenkung, schnell bis langsam
		128 129 ⇔ 255	Kein Funktion Kontinuierliche Schwenkung rückwärts, langsam bis schnell
6	Kontinuierliche Neigung	000	Kein Funktion
		001 ⇔ 127	Kontinuierliche Neigung, schnell bis langsam
		128 129 ⇔ 255	Kein Funktion Kontinuierliche Neigung rückwärts, langsam bis schnell
7	Schwenk- / Neigungsgeschwindigkeit	000 ⇔ 255	Schnell bis langsam
8	CTC	000	Kein Funktion
		001 ⇔ 255	Farbtemperatur, 2800–10000 K
9	Ringfarbe	000	Kein Funktion
		001 ⇔ 002	2700K R = 156 G = 118 B = 0 W = 63
		003 ⇔ 004	3200K R = 156 G = 141 B = 5 W = 89
		005 ⇔ 006	4200K R = 156 G = 141 B = 14 W = 255
		007 ⇔ 008	5600K R = 156 G = 207 B = 54 W = 255
		009 ⇔ 010	8000K R = 130 G = 255 B = 96 W = 255
		011	Blau R = 0 G = 0 B = 255 W = 0
		012 ⇔ 048	+ Grün R = 0 G = 0–255 B = 255 W = 0
		049	Cyan R = 0 G = 255 B = 255 W = 0
		050 ⇔ 086	- Blau R = 0 G = 255 B = 255–0 W = 0
		087	Grün R = 0 G = 255 B = 0 W = 0
		088 ⇔ 124	+ Rot R = 0–255 G = 255 B = 0 W = 0
		125	Gelb R = 255 G = 255 B = 0 W = 0
		126 ⇔ 162	- Grün R = 255 G = 255–0 B = 0 W = 0
		163	Rot R = 255 G = 0 B = 0 W = 0
		164 ⇔ 200	+ Blau R = 255 G = 0 B = 0–255 W = 0
		201	Magenta R = 255 G = 0 B = 255 W = 0
202 ⇔ 238	- Rot R = 255–0 G = 0 B = 255 W = 0		
239	Blau R = 0 G = 0 B = 255 W = 0		
240 ⇔ 247	Farbe verblassen, schnell bis langsam		
248 ⇔ 255	Farbschnappschuss, schnell bis langsam		

Kanal	Funktion	Wert	Prozent/Einstellung
10	Strahlfarbe	000	Kein Funktion
		001 ⇔ 002	2700K R = 156 G = 118 B = 0 W = 63
		003 ⇔ 004	3200K R = 156 G = 141 B = 5 W = 89
		005 ⇔ 006	4200K R = 156 G = 141 B = 14 W = 255
		007 ⇔ 008	5600K R = 156 G = 207 B = 54 W = 255
		009 ⇔ 010	8000K R = 130 G = 255 B = 96 W = 255
		011	Blau R = 0 G = 0 B = 255 W = 0
		012 ⇔ 048	+ Grün R = 0 G = 0-255 B = 255 W = 0
		049	Cyan R = 0 G = 255 B = 255 W = 0
		050 ⇔ 086	- Blau R = 0 G = 255 B = 255-0 W = 0
		087	Grün R = 0 G = 255 B = 0 W = 0
		088 ⇔ 124	+ Rot R = 0-255 G = 255 B = 0 W = 0
		125	Gelb R = 255 G = 255 B = 0 W = 0
		126 ⇔ 162	- Grün R = 255 G = 255-0 B = 0 W = 0
		163	Rot R = 255 G = 0 B = 0 W = 0
		164 ⇔ 200	+ Blau R = 255 G = 0 B = 0-255 W = 0
		201	Magenta R = 255 G = 0 B = 255 W = 0
		202 ⇔ 238	- Red R = 255-0 G = 0 B = 255 W = 0
		239	Blue R = 0 G = 0 B = 255 W = 0
		240 ⇔ 247	Farbe verblassen, schnell bis langsam
248 ⇔ 255	Farbschnappschuss, schnell bis langsam		
11	Gobo	000	Kein Funktion
		001 ⇔ 255	Gobos (indexiert)
12	LED Makro / Auto Programm	000 ⇔ 015	Kein Funktion
		016 ⇔ 135	LED Makros
		136 ⇔ 255	Auto-Programme
13	LED Makro / Auto Programmgeschwindigkeit	000 ⇔ 127	Auto-Geschwindigkeit, schnell bis langsam
		128	Halt
		129 ⇔ 255	Auto-Geschwindigkeit, langsam bis schnell
14	LED eingebaute Verzögerung	000 ⇔ 255	Schnell bis langsam
15	Hintergrundfarbe	000	Kein Funktion
		001 ⇔ 002	2700K R = 156 G = 118 B = 0 W = 63
		003 ⇔ 004	3200K R = 156 G = 141 B = 5 W = 89
		005 ⇔ 006	4200K R = 156 G = 141 B = 14 W = 255
		007 ⇔ 008	5600K R = 156 G = 207 B = 54 W = 255
		009 ⇔ 010	8000K R = 130 G = 255 B = 96 W = 255
		011	Blau R = 0 G = 0 B = 255 W = 0
		012 ⇔ 048	+ Grün R = 0 G = 0-255 B = 255 W = 0
		049	Cyan R = 0 G = 255 B = 255 W = 0
		050 ⇔ 086	- Blau R = 0 G = 255 B = 255-0 W = 0
		087	Grün R = 0 G = 255 B = 0 W = 0
		088 ⇔ 124	+ Rot R = 0-255 G = 255 B = 0 W = 0
		125	Yellow R = 255 G = 255 B = 0 W = 0
		126 ⇔ 162	- Grün R = 255 G = 255-0 B = 0 W = 0
		163	Rot R = 255 G = 0 B = 0 W = 0
		164 ⇔ 200	+ Blau R = 255 G = 0 B = 0-255 W = 0
		201	Magenta R = 255 G = 0 B = 255 W = 0
		202 ⇔ 238	- Rot R = 255-0 G = 0 B = 255 W = 0
		239	Blau R = 0 G = 0 B = 255 W = 0
		240 ⇔ 247	Farbe verblassen, schnell bis langsam
248 ⇔ 255	Farbschnappschuss, schnell bis langsam		
16	Hintergrunddimmer	000 ⇔ 255	0-100%
17	Hauptdimmer	000 ⇔ 255	0-100%
18	Strahldimmer	000 ⇔ 255	0-100%

Kanal	Funktion	Wert	Prozent/Einstellung
19	Ringverschluss	000 ⇔ 019	Aus
		020 ⇔ 024	An
		025 ⇔ 069	Strobe, von schnell nach langsam
		070 ⇔ 089	Strobe 100–0%, von schnell nach langsam
		090 ⇔ 109	Strobe 0–100%, von schnell nach langsam
		110 ⇔ 129	Zufalls-Strobe, von schnell nach langsam
		130 ⇔ 149	Zufalls-Strobe 100–0%, von schnell nach langsam
		150 ⇔ 169	Zufalls-Strobe 0–100%, von schnell nach langsam
		170 ⇔ 189	Pulse-Strobe, von schnell nach langsam
		190 ⇔ 209	Zufalls-Pulse-Strobe, von schnell nach langsam
		210 ⇔ 229	Strobe 0–100–0%, von schnell nach langsam
		230 ⇔ 244	Zufalls-Pulse-Strobe, von schnell nach langsam
		245 ⇔ 255	An
20	Strahlverschluss	000 ⇔ 019	Aus
		020 ⇔ 024	An
		025 ⇔ 069	Strobe, von schnell nach langsam
		070 ⇔ 089	Strobe 100–0%, von schnell nach langsam
		090 ⇔ 109	Strobe 0–100%, von schnell nach langsam
		110 ⇔ 129	Zufalls-Strobe, von schnell nach langsam
		130 ⇔ 149	Zufalls-Strobe 100–0%, von schnell nach langsam
		150 ⇔ 169	Zufalls-Strobe 0–100%, von schnell nach langsam
		170 ⇔ 189	Pulse-Strobe, von schnell nach langsam
		190 ⇔ 209	Zufalls-Pulse-Strobe, von schnell nach langsam
		210 ⇔ 229	Strobe 0–100–0%, von schnell nach langsam
		230 ⇔ 244	Zufalls-Pulse-Strobe, von schnell nach langsam
		245 ⇔ 255	An
21	Zoomen	000 ⇔ 255	Breit bis schmal
22	Steuerung	000 ⇔ 009	Kein Funktion
		010 ⇔ 014	Blackout bei Schwenken / Neigen
		015 ⇔ 019	Reserviert für zukünftige Verwendung
		020 ⇔ 024	RGBW-Farbmischmodus (additiv)
		025 ⇔ 029	CMY-Farbmischmodus (subtraktiv)
		030 ⇔ 049	Reserviert für zukünftige Verwendung
		050 ⇔ 054	Pan zurücksetzen
		055 ⇔ 059	Neigungsrücksetzung
		060 ⇔ 064	Zoom zurückgesetzt
		065 ⇔ 069	Reserviert für zukünftige Verwendung
		070 ⇔ 074	Alles zurücksetzen
		075 ⇔ 109	Reserviert für zukünftige Verwendung
		110 ⇔ 114	Schnelle Schwenk-/Neigegewindigkeit
		115 ⇔ 119	Langsame Schwenk-/Neigungsgeschwindigkeit
		120 ⇔ 124	Langsamer Lüftermodus
		125 ⇔ 129	Voller Lüftermodus
		130 ⇔ 134	Automatischer Lüftermodus
135 ⇔ 139	Schneller Dimmmodus		
140 ⇔ 144	Langsamer Dimmmodus		
145 ⇔ 255	Reserviert für zukünftige Verwendung		
23	Ring Rot	000 ⇔ 255	RGBW-Modus: 0–100% / CMY-Modus: 100–0%
24	Strahl rot	000 ⇔ 255	RGBW-Modus: 0–100% / CMY-Modus: 100–0%
25	Ring grün	000 ⇔ 255	RGBW-Modus: 0–100% / CMY-Modus: 100–0%
26	Strahl grün	000 ⇔ 255	RGBW-Modus: 0–100% / CMY-Modus: 100–0%
27	Ring blau	000 ⇔ 255	RGBW-Modus: 0–100% / CMY-Modus: 100–0%
28	Strahl blau	000 ⇔ 255	RGBW-Modus: 0–100% / CMY-Modus: 100–0%
29	Ring Weiß	000 ⇔ 255	RGBW-Modus: 0–100% / CMY-Modus: 100–0%
30	Strahl Weiß	000 ⇔ 255	RGBW-Modus: 0–100% / CMY-Modus: 100–0%

Dual Steuerung: Grundlegender Bewegungsmodus(13Ch)

Kanal	Funktion	Wert	Prozent/Einstellung
1	Schwenkung	000 ⇔ 255	0–100%
2	Schwenkung fein	000 ⇔ 255	0–100%
3	Neigung	000 ⇔ 255	0–100%
4	Neigung fein	000 ⇔ 255	0–100%
5	Kontinuierliche Schwenkung	000	Kein Funktion
		001 ⇔ 127	Kontinuierliche Schwenkung, schnell bis langsam
		128	Kein Funktion
6	Kontinuierliche Neigung	129 ⇔ 255	Kontinuierliche Schwenkung rückwärts, langsam bis schnell
		000	Kein Funktion
		001 ⇔ 127	Kontinuierliche Neigung, schnell bis langsam
7	Schwenk- / Neigungsgeschwindigkeit	128	Kein Funktion
		129 ⇔ 255	Kontinuierliche Neigung rückwärts, langsam bis schnell
		000 ⇔ 255	Schnell bis langsam
8	Hauptdimmer	000 ⇔ 255	0–100%
9	Strahldimmer	000 ⇔ 255	0–100%
10	Ringverschluss	000 ⇔ 019	Aus
		020 ⇔ 024	An
		025 ⇔ 069	Strobe, von schnell nach langsam
		070 ⇔ 089	Strobe 100–0%, von schnell nach langsam
		090 ⇔ 109	Strobe 0–100%, von schnell nach langsam
		110 ⇔ 129	Zufalls-Strobe, von schnell nach langsam
		130 ⇔ 149	Zufalls-Strobe 100–0%, von schnell nach langsam
		150 ⇔ 169	Zufalls-Strobe 0–100%, von schnell nach langsam
		170 ⇔ 189	Pulse-Strobe, von schnell nach langsam
		190 ⇔ 209	Zufalls-Pulse-Strobe, von schnell nach langsam
		210 ⇔ 229	Strobe 0–100–0%, von schnell nach langsam
11	Strahlverschluss	230 ⇔ 244	Zufalls-Pulse-Strobe, von schnell nach langsam
		245 ⇔ 255	An
		000 ⇔ 019	Aus
		020 ⇔ 024	An
		025 ⇔ 069	Strobe, von schnell nach langsam
		070 ⇔ 089	Strobe 100–0%, von schnell nach langsam
		090 ⇔ 109	Strobe 0–100%, von schnell nach langsam
		110 ⇔ 129	Zufalls-Strobe, von schnell nach langsam
		130 ⇔ 149	Zufalls-Strobe 100–0%, von schnell nach langsam
		150 ⇔ 169	Zufalls-Strobe 0–100%, von schnell nach langsam
		170 ⇔ 189	Pulse-Strobe, von schnell nach langsam
12	Zoomen	190 ⇔ 209	Zufalls-Pulse-Strobe, von schnell nach langsam
		210 ⇔ 229	Strobe 0–100–0%, von schnell nach langsam
		230 ⇔ 244	Zufalls-Pulse-Strobe, von schnell nach langsam
		245 ⇔ 255	An
		000 ⇔ 255	Breit bis schmal

Kanal	Funktion	Wert	Prozent/Einstellung
13	Steuerung	000 ⇔ 009	Kein Funktion
		010 ⇔ 014	Blackout bei Schwenken / Neigen
		015 ⇔ 019	Reserviert für zukünftige Verwendung
		020 ⇔ 024	RGBW-Farbmischmodus (additiv)
		025 ⇔ 029	CMY-Farbmischmodus (subtraktiv)
		030 ⇔ 049	Reserviert für zukünftige Verwendung
		050 ⇔ 054	Pan zurücksetzen
		055 ⇔ 059	Neigungsrücksetzung
		060 ⇔ 064	Zoom zurückgesetzt
		065 ⇔ 069	Reserviert für zukünftige Verwendung
		070 ⇔ 074	Alles zurücksetzen
		075 ⇔ 109	Reserviert für zukünftige Verwendung
		110 ⇔ 114	Schnelle Schwenk-/Neigegeschwindigkeit
		115 ⇔ 119	Langsame Schwenk-/Neigungsgeschwindigkeit
		120 ⇔ 124	Langsamer Lüftermodus
		125 ⇔ 129	Voller Lüftermodus
		130 ⇔ 134	Automatischer Lüftermodus
		135 ⇔ 139	Schneller Dimmmodus
		140 ⇔ 144	Langsamer Dimmmodus
		145 ⇔ 255	Reserviert für zukünftige Verwendung

Dual Kontrollwerte (Pixel)

Dual Steuerung: Erweiterter Pixelmodus (80Ch)

Kanal	Funktion	Wert	Prozent/Einstellung
1	Rot 1	000 ⇔ 255	RGBW-Modus: 0–100% / CMY-Modus: 100–0%
2	Feines rot 1	000 ⇔ 255	RGBW-Modus: 0–100% / CMY-Modus: 100–0%
3	Grün 1	000 ⇔ 255	RGBW-Modus: 0–100% / CMY-Modus: 100–0%
4	Feines grün 1	000 ⇔ 255	RGBW-Modus: 0–100% / CMY-Modus: 100–0%
5	Blau 1	000 ⇔ 255	RGBW-Modus: 0–100% / CMY-Modus: 100–0%
6	Feines blau 1	000 ⇔ 255	RGBW-Modus: 0–100% / CMY-Modus: 100–0%
7	Weiß 1	000 ⇔ 255	RGBW-Modus: 0–100% / CMY-Modus: 100–0%
8	Feines Weiß 1	000 ⇔ 255	RGBW-Modus: 0–100% / CMY-Modus: 100–0%
9	Rot 2	000 ⇔ 255	RGBW-Modus: 0–100% / CMY-Modus: 100–0%
10	Feines rot 2	000 ⇔ 255	RGBW-Modus: 0–100% / CMY-Modus: 100–0%
11	Grün 2	000 ⇔ 255	RGBW-Modus: 0–100% / CMY-Modus: 100–0%
12	Feines grün 2	000 ⇔ 255	RGBW-Modus: 0–100% / CMY-Modus: 100–0%
13	Blau 2	000 ⇔ 255	RGBW-Modus: 0–100% / CMY-Modus: 100–0%
14	Feines blau 2	000 ⇔ 255	RGBW-Modus: 0–100% / CMY-Modus: 100–0%
15	Weiß 2	000 ⇔ 255	RGBW-Modus: 0–100% / CMY-Modus: 100–0%
16	Feines Weiß 2	000 ⇔ 255	RGBW-Modus: 0–100% / CMY-Modus: 100–0%
17	Rot 3	000 ⇔ 255	RGBW-Modus: 0–100% / CMY-Modus: 100–0%
18	Feines rot 3	000 ⇔ 255	RGBW-Modus: 0–100% / CMY-Modus: 100–0%
19	Grün 3	000 ⇔ 255	RGBW-Modus: 0–100% / CMY-Modus: 100–0%
20	Feines grün 3	000 ⇔ 255	RGBW-Modus: 0–100% / CMY-Modus: 100–0%
21	Blau 3	000 ⇔ 255	RGBW-Modus: 0–100% / CMY-Modus: 100–0%
22	Feines blau 3	000 ⇔ 255	RGBW-Modus: 0–100% / CMY-Modus: 100–0%
23	Weiß 3	000 ⇔ 255	RGBW-Modus: 0–100% / CMY-Modus: 100–0%
24	Feines Weiß 3	000 ⇔ 255	RGBW-Modus: 0–100% / CMY-Modus: 100–0%
25	Rot 4	000 ⇔ 255	RGBW-Modus: 0–100% / CMY-Modus: 100–0%
26	Feines rot 4	000 ⇔ 255	RGBW-Modus: 0–100% / CMY-Modus: 100–0%
27	Grün 4	000 ⇔ 255	RGBW-Modus: 0–100% / CMY-Modus: 100–0%
28	Feines grün 4	000 ⇔ 255	RGBW-Modus: 0–100% / CMY-Modus: 100–0%
29	Blau 4	000 ⇔ 255	RGBW-Modus: 0–100% / CMY-Modus: 100–0%
30	Feines blau 4	000 ⇔ 255	RGBW-Modus: 0–100% / CMY-Modus: 100–0%
31	Weiß 4	000 ⇔ 255	RGBW-Modus: 0–100% / CMY-Modus: 100–0%
32	Feines Weiß 4	000 ⇔ 255	RGBW-Modus: 0–100% / CMY-Modus: 100–0%
33	Rot 5	000 ⇔ 255	RGBW-Modus: 0–100% / CMY-Modus: 100–0%
34	Feines rot 5	000 ⇔ 255	RGBW-Modus: 0–100% / CMY-Modus: 100–0%
35	Grün 5	000 ⇔ 255	RGBW-Modus: 0–100% / CMY-Modus: 100–0%
36	Feines grün 5	000 ⇔ 255	RGBW-Modus: 0–100% / CMY-Modus: 100–0%
37	Blau 5	000 ⇔ 255	RGBW-Modus: 0–100% / CMY-Modus: 100–0%
38	Feines blau 5	000 ⇔ 255	RGBW-Modus: 0–100% / CMY-Modus: 100–0%
39	Weiß 5	000 ⇔ 255	RGBW-Modus: 0–100% / CMY-Modus: 100–0%
40	Feines Weiß 5	000 ⇔ 255	RGBW-Modus: 0–100% / CMY-Modus: 100–0%
41	Rot 6	000 ⇔ 255	RGBW-Modus: 0–100% / CMY-Modus: 100–0%
42	Feines rot 6	000 ⇔ 255	RGBW-Modus: 0–100% / CMY-Modus: 100–0%
43	Grün 6	000 ⇔ 255	RGBW-Modus: 0–100% / CMY-Modus: 100–0%
44	Feines grün 6	000 ⇔ 255	RGBW-Modus: 0–100% / CMY-Modus: 100–0%
45	Blau 6	000 ⇔ 255	RGBW-Modus: 0–100% / CMY-Modus: 100–0%
46	Feines blau 6	000 ⇔ 255	RGBW-Modus: 0–100% / CMY-Modus: 100–0%
47	Weiß 6	000 ⇔ 255	RGBW-Modus: 0–100% / CMY-Modus: 100–0%
48	Feines Weiß 6	000 ⇔ 255	RGBW-Modus: 0–100% / CMY-Modus: 100–0%
49	Rot 7	000 ⇔ 255	RGBW-Modus: 0–100% / CMY-Modus: 100–0%
50	Feines rot 7	000 ⇔ 255	RGBW-Modus: 0–100% / CMY-Modus: 100–0%
51	Grün 7	000 ⇔ 255	RGBW-Modus: 0–100% / CMY-Modus: 100–0%
52	Feines grün 7	000 ⇔ 255	RGBW-Modus: 0–100% / CMY-Modus: 100–0%
53	Blau 7	000 ⇔ 255	RGBW-Modus: 0–100% / CMY-Modus: 100–0%

Kanal	Funktion	Wert	Prozent/Einstellung
54	Feines blau 7	000 ⇔ 255	RGBW-Modus: 0–100% / CMY-Modus: 100–0%
55	Weiß 7	000 ⇔ 255	RGBW-Modus: 0–100% / CMY-Modus: 100–0%
56	Feines Weiß 7	000 ⇔ 255	RGBW-Modus: 0–100% / CMY-Modus: 100–0%
57	Rot 8	000 ⇔ 255	RGBW-Modus: 0–100% / CMY-Modus: 100–0%
58	Feines rot 8	000 ⇔ 255	RGBW-Modus: 0–100% / CMY-Modus: 100–0%
59	Grün 8	000 ⇔ 255	RGBW-Modus: 0–100% / CMY-Modus: 100–0%
60	Feines grün 8	000 ⇔ 255	RGBW-Modus: 0–100% / CMY-Modus: 100–0%
61	Blau 8	000 ⇔ 255	RGBW-Modus: 0–100% / CMY-Modus: 100–0%
62	Feines blau 8	000 ⇔ 255	RGBW-Modus: 0–100% / CMY-Modus: 100–0%
63	Weiß 8	000 ⇔ 255	RGBW-Modus: 0–100% / CMY-Modus: 100–0%
64	Feines Weiß 8	000 ⇔ 255	RGBW-Modus: 0–100% / CMY-Modus: 100–0%
65	Rot 9	000 ⇔ 255	RGBW-Modus: 0–100% / CMY-Modus: 100–0%
66	Feines rot 9	000 ⇔ 255	RGBW-Modus: 0–100% / CMY-Modus: 100–0%
67	Grün 9	000 ⇔ 255	RGBW-Modus: 0–100% / CMY-Modus: 100–0%
68	Feines grün 9	000 ⇔ 255	RGBW-Modus: 0–100% / CMY-Modus: 100–0%
69	Blau 9	000 ⇔ 255	RGBW-Modus: 0–100% / CMY-Modus: 100–0%
70	Feines blau 9	000 ⇔ 255	RGBW-Modus: 0–100% / CMY-Modus: 100–0%
71	Weiß 9	000 ⇔ 255	RGBW-Modus: 0–100% / CMY-Modus: 100–0%
72	Feines Weiß 9	000 ⇔ 255	RGBW-Modus: 0–100% / CMY-Modus: 100–0%
73	Rot 10	000 ⇔ 255	RGBW-Modus: 0–100% / CMY-Modus: 100–0%
74	Feines rot 10	000 ⇔ 255	RGBW-Modus: 0–100% / CMY-Modus: 100–0%
75	Grün 10	000 ⇔ 255	RGBW-Modus: 0–100% / CMY-Modus: 100–0%
76	Feines grün 10	000 ⇔ 255	RGBW-Modus: 0–100% / CMY-Modus: 100–0%
77	Blau 10	000 ⇔ 255	RGBW-Modus: 0–100% / CMY-Modus: 100–0%
78	Feines blau 10	000 ⇔ 255	RGBW-Modus: 0–100% / CMY-Modus: 100–0%
79	Weiß 10	000 ⇔ 255	RGBW-Modus: 0–100% / CMY-Modus: 100–0%
80	Feines Weiß 10	000 ⇔ 255	RGBW-Modus: 0–100% / CMY-Modus: 100–0%

Dual Steuerung: Standard-Pixelmodus (40Ch)

Kanal	Funktion	Wert	Prozent/Einstellung
1	Rot 1	000 ⇔ 255	RGBW-Modus: 0–100% / CMY-Modus: 100–0%
2	Grün 1	000 ⇔ 255	RGBW-Modus: 0–100% / CMY-Modus: 100–0%
3	Blau 1	000 ⇔ 255	RGBW-Modus: 0–100% / CMY-Modus: 100–0%
4	Weiß 1	000 ⇔ 255	RGBW-Modus: 0–100% / CMY-Modus: 100–0%
5	Rot 2	000 ⇔ 255	RGBW-Modus: 0–100% / CMY-Modus: 100–0%
6	Grün 2	000 ⇔ 255	RGBW-Modus: 0–100% / CMY-Modus: 100–0%
7	Blau 2	000 ⇔ 255	RGBW-Modus: 0–100% / CMY-Modus: 100–0%
8	Weiß 2	000 ⇔ 255	RGBW-Modus: 0–100% / CMY-Modus: 100–0%
9	Rot 3	000 ⇔ 255	RGBW-Modus: 0–100% / CMY-Modus: 100–0%
10	Grün 3	000 ⇔ 255	RGBW-Modus: 0–100% / CMY-Modus: 100–0%
11	Blau 3	000 ⇔ 255	RGBW-Modus: 0–100% / CMY-Modus: 100–0%
12	Weiß 3	000 ⇔ 255	RGBW-Modus: 0–100% / CMY-Modus: 100–0%
13	Rot 4	000 ⇔ 255	RGBW-Modus: 0–100% / CMY-Modus: 100–0%
14	Grün 4	000 ⇔ 255	RGBW-Modus: 0–100% / CMY-Modus: 100–0%
15	Blau 4	000 ⇔ 255	RGBW-Modus: 0–100% / CMY-Modus: 100–0%
16	Weiß 4	000 ⇔ 255	RGBW-Modus: 0–100% / CMY-Modus: 100–0%
17	Rot 5	000 ⇔ 255	RGBW-Modus: 0–100% / CMY-Modus: 100–0%
18	Grün 5	000 ⇔ 255	RGBW-Modus: 0–100% / CMY-Modus: 100–0%
19	Blau 5	000 ⇔ 255	RGBW-Modus: 0–100% / CMY-Modus: 100–0%
20	Weiß 5	000 ⇔ 255	RGBW-Modus: 0–100% / CMY-Modus: 100–0%
21	Rot 6	000 ⇔ 255	RGBW-Modus: 0–100% / CMY-Modus: 100–0%
22	Grün 6	000 ⇔ 255	RGBW-Modus: 0–100% / CMY-Modus: 100–0%
23	Blau 6	000 ⇔ 255	RGBW-Modus: 0–100% / CMY-Modus: 100–0%
24	Weiß 6	000 ⇔ 255	RGBW-Modus: 0–100% / CMY-Modus: 100–0%
25	Rot 7	000 ⇔ 255	RGBW-Modus: 0–100% / CMY-Modus: 100–0%
26	Grün 7	000 ⇔ 255	RGBW-Modus: 0–100% / CMY-Modus: 100–0%
27	Blau 7	000 ⇔ 255	RGBW-Modus: 0–100% / CMY-Modus: 100–0%
28	Weiß 7	000 ⇔ 255	RGBW-Modus: 0–100% / CMY-Modus: 100–0%
29	Rot 8	000 ⇔ 255	RGBW-Modus: 0–100% / CMY-Modus: 100–0%
30	Grün 8	000 ⇔ 255	RGBW-Modus: 0–100% / CMY-Modus: 100–0%
31	Blau 8	000 ⇔ 255	RGBW-Modus: 0–100% / CMY-Modus: 100–0%
32	Weiß 8	000 ⇔ 255	RGBW-Modus: 0–100% / CMY-Modus: 100–0%
33	Rot 9	000 ⇔ 255	RGBW-Modus: 0–100% / CMY-Modus: 100–0%
34	Grün 9	000 ⇔ 255	RGBW-Modus: 0–100% / CMY-Modus: 100–0%
35	Blau 9	000 ⇔ 255	RGBW-Modus: 0–100% / CMY-Modus: 100–0%
36	Weiß 9	000 ⇔ 255	RGBW-Modus: 0–100% / CMY-Modus: 100–0%
37	Rot 10	000 ⇔ 255	RGBW-Modus: 0–100% / CMY-Modus: 100–0%
38	Grün 10	000 ⇔ 255	RGBW-Modus: 0–100% / CMY-Modus: 100–0%
39	Blau 10	000 ⇔ 255	RGBW-Modus: 0–100% / CMY-Modus: 100–0%
40	Weiß 10	000 ⇔ 255	RGBW-Modus: 0–100% / CMY-Modus: 100–0%

Dual Steuerung: Grundlegender Pixelmodus (30Ch)

Kanal	Funktion	Wert	Prozent/Einstellung
1	Rot 1	000 ⇔ 255	RGBW-Modus: 0–100% / CMY-Modus: 100–0%
2	Grün 1	000 ⇔ 255	RGBW-Modus: 0–100% / CMY-Modus: 100–0%
3	Blau 1	000 ⇔ 255	RGBW-Modus: 0–100% / CMY-Modus: 100–0%
4	Rot 2	000 ⇔ 255	RGBW-Modus: 0–100% / CMY-Modus: 100–0%
5	Grün 2	000 ⇔ 255	RGBW-Modus: 0–100% / CMY-Modus: 100–0%
6	Blau 2	000 ⇔ 255	RGBW-Modus: 0–100% / CMY-Modus: 100–0%
7	Rot 3	000 ⇔ 255	RGBW-Modus: 0–100% / CMY-Modus: 100–0%
8	Grün 3	000 ⇔ 255	RGBW-Modus: 0–100% / CMY-Modus: 100–0%
9	Blau 3	000 ⇔ 255	RGBW-Modus: 0–100% / CMY-Modus: 100–0%
10	Rot 4	000 ⇔ 255	RGBW-Modus: 0–100% / CMY-Modus: 100–0%

Kanal	Funktion	Wert	Prozent/Einstellung
11	Grün 4	000 ⇔ 255	RGBW-Modus: 0–100% / CMY-Modus: 100–0%
12	Blau 4	000 ⇔ 255	RGBW-Modus: 0–100% / CMY-Modus: 100–0%
13	Rot 5	000 ⇔ 255	RGBW-Modus: 0–100% / CMY-Modus: 100–0%
14	Grün 5	000 ⇔ 255	RGBW-Modus: 0–100% / CMY-Modus: 100–0%
15	Blau 5	000 ⇔ 255	RGBW-Modus: 0–100% / CMY-Modus: 100–0%
16	Rot 6	000 ⇔ 255	RGBW-Modus: 0–100% / CMY-Modus: 100–0%
17	Grün 6	000 ⇔ 255	RGBW-Modus: 0–100% / CMY-Modus: 100–0%
18	Blau 6	000 ⇔ 255	RGBW-Modus: 0–100% / CMY-Modus: 100–0%
19	Rot 7	000 ⇔ 255	RGBW-Modus: 0–100% / CMY-Modus: 100–0%
20	Grün 7	000 ⇔ 255	RGBW-Modus: 0–100% / CMY-Modus: 100–0%
21	Blau 7	000 ⇔ 255	RGBW-Modus: 0–100% / CMY-Modus: 100–0%
22	Rot 8	000 ⇔ 255	RGBW-Modus: 0–100% / CMY-Modus: 100–0%
23	Grün 8	000 ⇔ 255	RGBW-Modus: 0–100% / CMY-Modus: 100–0%
24	Blau 8	000 ⇔ 255	RGBW-Modus: 0–100% / CMY-Modus: 100–0%
25	Rot 9	000 ⇔ 255	RGBW-Modus: 0–100% / CMY-Modus: 100–0%
26	Grün 9	000 ⇔ 255	RGBW-Modus: 0–100% / CMY-Modus: 100–0%
27	Blau 9	000 ⇔ 255	RGBW-Modus: 0–100% / CMY-Modus: 100–0%
28	Rot 10	000 ⇔ 255	RGBW-Modus: 0–100% / CMY-Modus: 100–0%
29	Grün 10	000 ⇔ 255	RGBW-Modus: 0–100% / CMY-Modus: 100–0%
30	Blau 10	000 ⇔ 255	RGBW-Modus: 0–100% / CMY-Modus: 100–0%

Over deze handleiding

De Maverick MK Pyxis Beknopte Handleiding bevat basisinformatie over het product, zoals aansluiting, montage, menu-opties en DMX-waarden. Download de gebruikershandleiding op www.chauvetprofessional.com voor meer informatie.

Disclaimer

De informatie en specificaties in deze Beknopte Handleiding kunnen zonder voorafgaande kennisgeving worden gewijzigd.

BEPERKTE GARANTIE

GA NAAR ONZE WEBSITE VOOR REGISTRATIE VAN DE GARANTIE EN DE VOLLEDIGE ALGEMENE VOORWAARDEN.

Voor klanten in de Verenigde Staten en Mexico: www.chauvetlighting.com/warranty-registration.

Voor klanten in het Verenigd Koninkrijk, Ierland, België, Nederland, Luxemburg, Frankrijk en Duitsland: www.chauvetlighting.eu/warranty-registration.

Chauvet garandeert dat dit product bij normaal gebruik vrij zal blijven van defecten in materiaal en vakmanschap, voor de opgegeven periode en onder voorbehoud van de uitzonderingen en beperkingen die zijn uiteengezet in de volledige beperkte garantie op onze website. Deze garantie geldt uitsluitend voor de oorspronkelijke koper van het product en is niet overdraagbaar. Om onder deze garantie rechten uit te oefenen, moet u een aankoopbewijs overleggen in de vorm van een origineel verkoopbewijs van een geautoriseerde dealer, waarop de naam van het product en de aankoopdatum zichtbaar zijn. **ER ZIJN GEEN ANDERE EXPLICIETE OF IMPLICIETE GARANTIES.** Deze garantie geeft u specifieke wettelijke rechten. Mogelijk heeft u ook andere rechten die van staat tot staat en van land tot land verschillen. Deze garantie is uitsluitend geldig in de Verenigde Staten, het Verenigd Koninkrijk, Ierland, België, Nederland, Luxemburg, Frankrijk, Duitsland en Mexico. Neem contact op met uw lokale verkoper voor garantievoorwaarden in andere landen

Veiligheidsinstructies

Deze veiligheidsinstructies bevatten belangrijke informatie over de installatie, het gebruik en het onderhoud.

- De armatuur is uitsluitend bedoeld voor professioneel gebruik.
- Open het product NIET. Het bevat geen te onderhouden onderdelen.
- KIJK NIET in de lichtbron wanneer het apparaat is ingeschakeld.
- Om onnodige slijtage te elimineren en zijn levensduur te verlengen, gedurende perioden wanneer het product niet wordt gebruikt, moet u het product van de stroom afsluiten door een aardlekschakelaar om te zetten of door het te ontkoppelen.
- LET OP: Bij het verplaatsen van het product uit extreme omgevingen, (bijv. koude vrachtwagen naar warme, vochtige balzaal) kan er condensvorming optreden op de elektronica van het product. Om storingen te vermijden moet het product volledig kunnen acclimatiseren aan de omgeving voordat het op stroom wordt aangesloten.
- LET OP: De behuizing van dit product kan heet zijn wanneer het in bedrijf is.
- Monteer dit product op een plek met voldoende ventilatie, ten minste 50 cm van de aangrenzende oppervlakken.
- De armatuur moet zodanig geplaatst worden dat langdurig staren in de armatuur op een afstand van minder dan 3,9 m voorkomen wordt.
- Plaats geen ontvlambaar materiaal binnen 50 cm van dit product als het in gebruik is of is aangesloten op het stopcontact.
- GEBRUIK een veiligheidskabel bij het boven het hoofd plaatsen van dit product.
- Gebruik dit product NIET buitenshuis of op een locatie waar stof, grote warmte, water of vochtigheid het kunnen beïnvloeden. (IP20)
- Gebruik dit product NIET als de behuizing, lenzen of kabels beschadigd lijken.
- Sluit dit product NIET aan op een dimmer of een regelweerstand.
- Sluit dit product UITSLUITEND op een geaard en beveiligd stroomcircuit.
- Gebruik UITSLUITEND de montagebeugels of de hendels om dit product te dragen. Draag het product niet aan de bewegende kop.
- Stop in het geval van ernstige operationele problemen onmiddellijk met het gebruik.
- De maximale omgevingstemperatuur bedraagt 45 °C. Gebruik dit product niet bij hogere temperaturen.
- Als de externe flexibele kabel of het snoer van deze armatuur beschadigd is, moet deze worden vervangen door een speciaal snoer of een snoer dat uitsluitend beschikbaar is bij de fabrikant of zijn onderhoudsagent.
- De lichtbron die in deze armatuur omvat is mag alleen vervangen worden door de fabrikant, of diens onderhoudsagent of een soortgelijk erkend persoon.

Contact

Van buiten de VS, Verenigd Koninkrijk, Ierland, Mexico of België kunt u contact opnemen met de distributeur of om ondersteuning vragen dan wel het product retourneren. Ga naar www.chauvetprofessional.com voor contactinformatie.

Wat is inbegrepen

- Maverick MK Pyxis
- 2 Omegabeugels met bevestigingsapparatuur
- Seetronic Powerkon IP65 stroomsnoer
- Beknopte handleiding

AC-stroom

Dit product heeft een voeding met automatisch bereik die werkt met een ingangsspanning van 100–240 VAC, 50/60 Hz.

AC-stekker

Aansluiting	Snoer (VS)	Snoer (Europa)	Schroefkleur
AC Live	Zwart	Bruin	Geel/messing
AC Neutraal	Wit	Blauw	Zilver
AC Aarde	Groen/geel	Groen/geel	Groen



Om onnodige slijtage te elimineren en zijn levensduur te verlengen, gedurende perioden wanneer het product niet wordt gebruikt, moet u het product van de stroom afsluiten door een aardlekschakelaar om te zetten of door het te ontkoppelen.

Power Linking

Het is mogelijk tot maximaal 3 Maverick MK Pyxis-producten koppelen aan 100 V, 4 producten aan 120 V, 7 producten aan 208 V, of 8 producten aan 230 V of 240 V. Overschrijd dit aantal nooit. Stroomkabels kunnen afzonderlijk worden gekocht.

Vervangen van de zekering

1. Ontkoppel dit product van de stroom.
2. Gebruik een platkopschroevendraaier en schroef de kap van de zekeringhouder los van de behuizing.
3. Verwijder de doorgebrande zekering en vervang het met een werkende zekering van hetzelfde type en met dezelfde waarde.
4. Schroef de kap van de zekeringhouder terug en steek de stekker er weer in.

Signaalverbindingen

U kunt de Maverick MK Pyxis aansluiten op een controller of controllersoftware met behulp van een DMX-aansluiting, een ethernetverbinding of beide. Bij het gebruik van andere Art-Net™, sACN, of Kling-Net-compatible producten met de Maverick MK Pyxis, kunt u deze individueel aansturen op een enkel netwerk. Zie de gebruikershandleiding voor meer informatie over het verbinden en configureren van het product voor deze signalen.

Aansturingspersoonlijkheden

De Maverick MK Pyxis gebruikt DMX, Art-Net™, sACN en Kling-Net voor zijn aansturingspersoonlijkheden:

Single Control	Dual Control Movement	Dual Control Pixels
Basic (26 kanalen)	Basic (13 kanalen)	Basic (30 kanalen)
Standard (66 kanalen)	Standard (30 kanalen)	Standard (40 kanalen)
Advanced (113 kanalen)	Advanced (41 kanalen)	Advanced (80 kanalen)
Tour (131 kanalen)		
Gebruikt DMX, Art-Net™, sACN, of WDMX	Gebruikt DMX, Art-Net™, of sACN	Gebruikt DMX, Art-Net™, sACN, of Kling-Net



In "Dual Control"-modus kunnen het "Movement"-protocol en het "Pixels"-protocol niet hetzelfde zijn.

DMX-aansluiting

De Maverick MK Pyxis kan met een DMX-controller werken met een 3-pins of 5-pins DMX-gegevensverbinding. Op www.chauvetprofessional.com is een DMX-basishandleiding verkrijgbaar.

Art-Net™-aansluiting

Art-Net™ is een ethernet-protocol dat gebruikmaakt van TCP/IP dat over een groot netwerk grote hoeveelheden DMX512-gegevens verzendt met behulp van een etherCON RJ45-verbinding. Een Art-Net™-protocoldocument is te verkrijgen op www.chauvetprofessional.com. Chauvet Professional raadt het gebruik van unicast-modus voor het beste resultaat.

Art-Net™ ontworpen en auteursrecht door Artistic Licence Holdings Ltd.

sACN-aansluiting

Streaming-ACN staat ook wel bekend als ANSI E1.31 en is een ethernetprotocol dat de laag- en opmaakstructuur gebruikt van Architecture for Control Networks om DMX512-gegevens te transporteren over IP of een ander ACN compatibel netwerk. ACN wordt onderhouden door de Professional Lighting and Sound Association (PLASA).

Kling-Net-aansluiting

Kling-Net is een networkprotocol dat de automatische configuratie van displayapparaten met een etherCON RJ45 Ethernet-verbinding mogelijk maakt. Raadpleeg de ArKaos softwarehandleiding voor uitgebreide instructies over het programmeren van dit product.



Voor een goede werking heeft de ArKaos Kling-Net een gigabit (1000 Mbps) Ethernet-kaart en een netwerkrouter nodig.



ArKaos Kling-Net loopt alleen in "Standard Pixels" of "Basic Pixels"-modi.

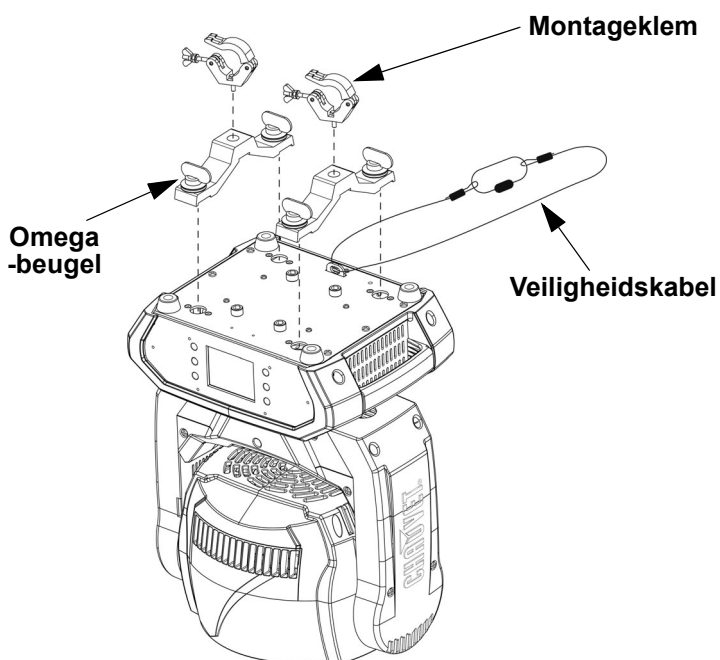
RDM (apparaatbeheer op afstand)

Remote Device Management of RDM (apparaatbeheer op afstand) is een standaard die het voor DMX-apparaten mogelijk maakt om in twee richtingen te communiceren over bestaande DMX-kabels. De Maverick MK Pyxis ondersteunt het RDM-protocol dat zorgt feedback toelaat bij de bewaking van Temperatuur en wijzigingen aan de menu opties. Download de gebruikershandleiding op www.chauvetprofessional.com voor meer informatie.

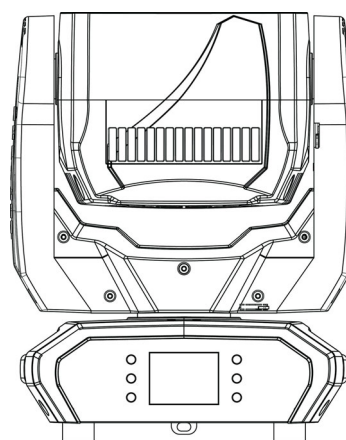
Montage

Lees alvorens dit product te monteren alle [Veiligheidsinstructies](#). Gebruik ten minste twee montagepunten per product. Controleer of de montageklem het gewicht van het product kan dragen. Ga voor onze Chauvet-serie montageklemmen naar <http://trusst.com/products>.

Montagediagram



Montage-boven het hoofd



Plaatsing op de vloer

Aanraakschermbedieningspaneel

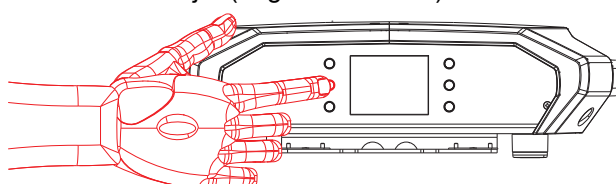
De Maverick MK Pyxis heeft een aanraakscherm en 6 bedieningsknoppen. Via de opties **Setup** in het menu kan het aanraakscherm worden vergrendeld en gekalibreerd.

Beschrijving bedieningspaneel

Toets	Functie
< ↑ >	Navigeert omhoog via het menu of verhoogt de numerieke waarde wanneer in een functie
< ≡ >	Sluit het huidige menu of functie af
< ↓ >	Navigeert omlaag via het menu of verlaagt de numerieke waarde wanneer in een functie
< ← >	Navigeert naar links door de menulijst
< ↶ >	Activeert het huidige getoonde menu of plaatst de huidige geselecteerde waarde in de geselecteerde functie
< → >	Navigeert naar rechts door de menulijst

Display op batterijstroomy

Ingedrukt houden totdat het menuscherm verschijnt (ongeveer 15 sec).



Menukaart

Raadpleeg de productpagina van Maverick MK Pyxis op www.chauvetprofessional.com voor de nieuwste menukaart.

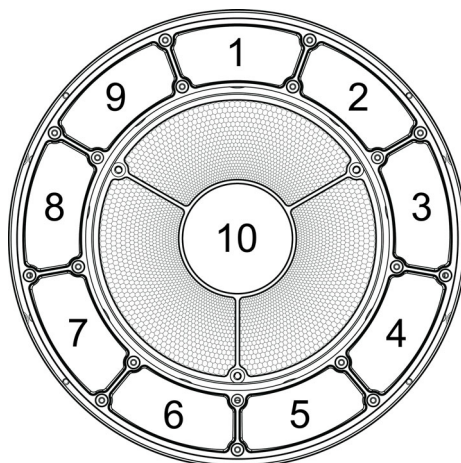
Programmeerniveaus				Beschrijving		
Control Settings				Control Settings belangrijkste niveau		
Single Control	DMX	Personality	Basic	Stelt de DMX persoonlijkheid in (Zie Aansturingspersoonlijkheden)		
			Standard			
			Advanced			
			Tour			
	Start Address	0-512		Stelt het DMX startadres in		
		ArtNet	Personality	Basic	Stelt de Art-Net™ persoonlijkheid in (Zie Aansturingspersoonlijkheden)	
				Standard		
				Advanced		
	Tour					
	Start Address	0-512		Stelt het Art-Net™ startadres in		
		Universe	0-255		Stelt de Art-Net™ universe in	
			sACN	Personality	Basic	Stelt de sACN persoonlijkheid in (Zie Aansturingspersoonlijkheden)
					Standard	
	Advanced					
	Tour					
	Start Address	0-512		Stelt het sACN startadres in		
		Universe	0-255		Stelt de sACN universe in	
			WDMX	Personality	Basic	Stelt de WDMX persoonlijkheid in (Zie Aansturingspersoonlijkheden)
					Standard	
	Advanced					
Tour						
Start Address	0-512		Stelt het WDMX startadres in			
	DMX	Personality	Basic	Stelt de DMX persoonlijkheid in (Zie Aansturingspersoonlijkheden)		
			Standard			
			Advanced			
Tour						
Start Address	0-512		Stelt het DMX startadres in			
	ArtNet	Personality	Basic	Stelt de Art-Net™ persoonlijkheid in (Zie Aansturingspersoonlijkheden)		
			Standard			
			Advanced			
Tour						
Start Address	0-512		Stelt het Art-Net™ startadres in			
	Universe	0-255		Stelt de Art-Net™ universe in		
		sACN	Personality	Basic	Stelt de sACN persoonlijkheid in (Zie Aansturingspersoonlijkheden)	
				Standard		
Advanced						
Tour						
Start Address	0-512		Stelt het sACN startadres in			
	Universe	0-255		Stelt de sACN universe in		
		DMX	Personality	Basic	Stelt de DMX persoonlijkheid in (Zie Aansturingspersoonlijkheden)	
				Standard		
Advanced						
Tour						
Start Address	0-512		Stelt het DMX startadres in			
	ArtNet	Personality	Basic	Stelt de Art-Net™ persoonlijkheid in (Zie Aansturingspersoonlijkheden)		
			Standard			
			Advanced			
Tour						
Start Address	0-512		Stelt het Art-Net™ startadres in			
	Universe	0-255		Stelt de Art-Net™ universe in		
		sACN	Personality	Basic	Stelt de sACN persoonlijkheid in (Zie Aansturingspersoonlijkheden)	
				Standard		
Advanced						
Tour						
Start Address	0-512		Stelt het sACN startadres in			
	Universe	0-255		Stelt de sACN universe in		
		KlingNet	Personality	Basic	Stelt de Kling-Net persoonlijkheid in (Zie Aansturingspersoonlijkheden)	
				Standard		

Programmeerniveaus			Beschrijving	
Test Mode			Test Mode belangrijkste niveau	
Test Mode	Auto Test		Test alle functies automatisch	
	Manual Test	Pan	000-255	Test en regel alle instellingen handmatig via het bedieningspaneel
		Tilt		
		P/T Speed		
		Red		
		Green		
		Blue		
		White		
		CTC		
		Color		
		Pattern		
		LED Macro		
		LED Ma. Speed		
		LED Ma. Fade		
		Background		
		Background Dim.		
		Dimmer		
Shutter				
Function				
Zoom				
Setup			Setup belangrijkste niveau	
Network Settings	IP Mode	Manual	Stel het IP-adres handmatig in	
		DHCP	Netwerk stelt het IP-adres in	
		Static	Product stelt het IP-adres in	
	IP	-----	Stelt het IP-adres in handmatige modus in	
	SubMask	-----	Stelt het Subnet Mask in handmatige modus in	
Pan Reverse	NO		Normale zwenkbediening	
	YES		Omgekeerde zwenkbediening	
Tilt Reverse	NO		Normale kantelbediening	
	YES		Omgekeerde kantelbediening	
Zoom Reverse	NO		Normale zoom	
	YES		Omgekeerde zoom	
Screen Reverse	NO		Display in normale oriëntatie	
	YES		Display in ondersteboven oriëntatie	
	AUTO		Automatische oriëntatie van het display	
Pan Angle	540		540° zwenkhoekbereik	
	360		360° zwenkhoekbereik	
	180		180° zwenkhoekbereik	
Tilt Angle	270		270° kantelhoekbereik	
	180		180° kantelhoekbereik	
	90		90° kantelhoekbereik	
BL. O. P/T Move	NO		Niet verduisteren tijdens kantelen/zwenken	
	YES		Verduisteren tijdens kantelen/zwenken	
Calibration	NO		Huidige instellingen behouden	
	YES		Aanraakscherm kalibreren	
Touchscreen Lock	NO		Beeldscherm reageert op aanrakingen	
	YES		Beeldscherm reageert niet op aanrakingen	
Lock Screen	NO		Lock knoppen en touch screen	
	YES		Toegangscodes: 0920	
Swap XY	NO		Niet kantelen en zwenken verwisselen	
	YES		Zwenken regelt kantelen, en omgekeerd	

Programmeerniveaus			Beschrijving	
Setup (vervolg)			Setup belangrijkste niveau (vervolg)	
Setup (vervolg)	WDMX Reset	NO	Niet WDMX resetten	
		YES	WDMX resetten	
	Backlight Timer	30S	Beeldscherm schakelt uit na 30 seconden	
		1M	Beeldscherm schakelt uit na 1 minuut	
		5M	Beeldscherm schakelt uit na 5 minuten	
		ON	Beeldscherm blijft aan	
	Loss of Data	Hold	Houdt laatst ontvangen signaal vast	
		Close	Verduistert de armatuur	
	Fans	Auto	Ventilatorsnelheid in overeenstemming met de producttemperatuur	
		Full	Ventilatorsnelheid op hoog ingesteld	
		ECO	Stille modus	
	C Mixing Mode	RGBW	Additief kleuren mengen (0–100%)	
		CMY	Subtractief kleuren mengen (100%–0)	
	Dimmer Curve	Linear	Stelt de dimcurve in	
		Square		
		I Squa		
		SCurve		
	Dimmer Speed	Smooth	Wijzigt de dimsnelheid	
		Fast		
	PWM Option	600Hz	Selecteert de PWM-uitgangsfrequentie	
1200Hz				
2000Hz				
4000Hz				
6000Hz				
15000Hz				
Color Balance	Red	000–255	Stelt maximum waarde van rode LED in	
	Green		Stelt maximum waarde van groene LED in	
	Blue		Stelt maximum waarde van blauwe LED in	
	White		Stelt maximum waarde van witte LED in	
Preset Select	PRESET A	Opgenomen vooringestelde menuopties		
	PRESET B			
	PRESET C			
Preset Sync	NO	Zorgt ervoor dat opgenomen vooringestelde menuopties worden overgezet op andere Maverick MK Pyxis in de DMX-keten		
	YES			
Reset Function	Pan/Tilt	NO	Reset individuele functies of alle functies vanaf het opstarten	
		YES		
	Zoom	NO		
		YES		
All	NO			
	YES			
Factory Settings	NO	Reset naar standaard fabrieksinstellingen		
	YES			
Sys Info			Sys Info belangrijkste niveau	
Sys Info	Ver	V_	Toont de firmwareversie	
	Running Mode	---	Toont de huidige bedrijfsmodus	
	Address	---	Toont het huidige startadres	
	Temperature	---	Toont de huidige temperatuur van het product in °C	
	Fixture Hours	-----	Toont het aantal uren dat het product is ingeschakeld	
	Ip	-----	Toont het huidige IP-adres	
	SubMask	-----	Toont het huidige Subnet Mask	
	MAC	-----	Toont het huidige MAC-adres	
	Fan Information	Head Fan1 Speed	----	Toont snelheid van kopventilators in toeren per minuut
		Head Fan2 Speed	----	

Programmeerniveaus		Beschrijving	
Sys Info (vervolg)		Sys Info belangrijkste niveau (vervolg)	
Error Information	No Error!*	Toont fouten of No Error!	
Sys Info (vervolg)	Channel Information	Toont alle huidige waarden van ingangssignalen, 000-255	
	Frequency		
	Pan		
	Pan Fine		
	Tilt		
	Tilt Fine		
	Pan Rotation		
	Tilt Rotation		
	P/T Speed		
	CTC		
	Color (1-2)		
	Pattern		
	LED Macro		
	LED Ma. Speed		
	LED Ma. Fine		
	Background		
	Background Dim.		---
	Bg. Dim. Fine		
	Dimmer (A-B)		
	Dimmer Fine (A-B)		
	Shutter (1-2)		
	Zoom		
	Function		
	Red (alle, 1-10)		
	Red Fine (alle, 1-10)		
	Green (alle, 1-10)		
	Green fine (alle, 1-10)		
	Blue (alle, 1-10)		
	Blue Fine (alle, 1-10)		
	White (alle, 1-10)		
White Fine (alle, 1-10)			
Dimmer (1-10)			
Dimmer Fine (1-10)			

Zones voor pixelregeling



NL

DMX-waarden

“Single Control”-waarden

“Single Control”: “Tour”-modus (131Ch)

Kanaal	Functie	Waarde	Percentage/Instelling
1	Zwenken	000 ⇔ 255	0–100%
2	Fijnezwenken	000 ⇔ 255	0–100%
3	Kantelen	000 ⇔ 255	0–100%
4	Fijnekantelen	000 ⇔ 255	0–100%
5	Continue zwenken	000	Geen functie
		001 ⇔ 127	Continue zwenken, snel tot langzaam
		128	Geen functie
6	Continue kantelen	129 ⇔ 255	Omgekeerde continue zwenken, langzaam tot snel
		000	Geen functie
		001 ⇔ 127	Continue kantelen, snel tot langzaam
7	Zwenken/Kantelensnelheid	128	Geen functie
		129 ⇔ 255	Omgekeerde continue kantelen, langzaam tot snel
		000 ⇔ 255	Snel tot langzaam
8	CTC	000	Geen functie
		001 ⇔ 255	Kleurtemperatuur, 2800–10000 K
9	Ring kleur	000	Geen functie
		001 ⇔ 002	2700K R = 156 G = 118 B = 0 W = 63
		003 ⇔ 004	3200K R = 156 G = 141 B = 5 W = 89
		005 ⇔ 006	4200K R = 156 G = 141 B = 14 W = 255
		007 ⇔ 008	5600K R = 156 G = 207 B = 54 W = 255
		009 ⇔ 010	8000K R = 130 G = 255 B = 96 W = 255
		011	Blauw R = 0 G = 0 B = 255 W = 0
		012 ⇔ 048	+ groen R = 0 G = 0–255 B = 255 W = 0
		049	Cyaan R = 0 G = 255 B = 255 W = 0
		050 ⇔ 086	- blauw R = 0 G = 255 B = 255–0 W = 0
		087	Groen R = 0 G = 255 B = 0 W = 0
		088 ⇔ 124	+ rood R = 0–255 G = 255 B = 0 W = 0
		125	Geel R = 255 G = 255 B = 0 W = 0
		126 ⇔ 162	- groen R = 255 G = 255–0 B = 0 W = 0
		163	Rood R = 255 G = 0 B = 0 W = 0
		164 ⇔ 200	+ blauw R = 255 G = 0 B = 0–255 W = 0
		201	Magenta R = 255 G = 0 B = 255 W = 0
		202 ⇔ 238	- rood R = 255–0 G = 0 B = 255 W = 0
		239	Blauw R = 0 G = 0 B = 255 W = 0
		240 ⇔ 247	Kleurverandering, snel tot langzaam
248 ⇔ 255	Kleursprong, snel tot langzaam		

Kanaal	Functie	Waarde	Percentage/Instelling				
10	Straalingskleur	000	Geen functie				
		001 ⇔ 002	2700K	R = 156	G = 118	B = 0	W = 63
		003 ⇔ 004	3200K	R = 156	G = 141	B = 5	W = 89
		005 ⇔ 006	4200K	R = 156	G = 141	B = 14	W = 255
		007 ⇔ 008	5600K	R = 156	G = 207	B = 54	W = 255
		009 ⇔ 010	8000K	R = 130	G = 255	B = 96	W = 255
		011	Blauw	R = 0	G = 0	B = 255	W = 0
		012 ⇔ 048	+ groen	R = 0	G = 0-255	B = 255	W = 0
		049	Cyaan	R = 0	G = 255	B = 255	W = 0
		050 ⇔ 086	- blauw	R = 0	G = 255	B = 255-0	W = 0
		087	Groen	R = 0	G = 255	B = 0	W = 0
		088 ⇔ 124	+ rood	R = 0-255	G = 255	B = 0	W = 0
		125	Geel	R = 255	G = 255	B = 0	W = 0
		126 ⇔ 162	- groen	R = 255	G = 255-0	B = 0	W = 0
		163	Rood	R = 255	G = 0	B = 0	W = 0
		164 ⇔ 200	+ blauw	R = 255	G = 0	B = 0-255	W = 0
		201	Magenta	R = 255	G = 0	B = 255	W = 0
		202 ⇔ 238	- rood	R = 255-0	G = 0	B = 255	W = 0
		239	Blauw	R = 0	G = 0	B = 255	W = 0
		240 ⇔ 247	Kleurverandering, snel tot langzaam				
248 ⇔ 255	Kleursprong, snel tot langzaam						
11	Gobo	000	Geen functie				
		001 ⇔ 255	Gobos (geïndexeerd)				
12	LED Macro / Automatisch programma	000 ⇔ 015	Geen functie				
		016 ⇔ 135	LED macro's				
		136 ⇔ 255	Automatische programma's				
13	LED Macro / Automatisch programmasnelheid	000 ⇔ 127	Kleurwijziging met de klok mee, snel tot langzaam				
		128	Bevriezen				
		129 ⇔ 255	Kleurwijziging tegen de klok in, langzaam tot snel				
14	LED ingebouwde vertraging	000 ⇔ 255	Snel tot langzaam				
15	Achtergrondkleur	000	Geen functie				
		001 ⇔ 002	2700K	R = 156	G = 118	B = 0	W = 63
		003 ⇔ 004	3200K	R = 156	G = 141	B = 5	W = 89
		005 ⇔ 006	4200K	R = 156	G = 141	B = 14	W = 255
		007 ⇔ 008	5600K	R = 156	G = 207	B = 54	W = 255
		009 ⇔ 010	8000K	R = 130	G = 255	B = 96	W = 255
		011	Blauw	R = 0	G = 0	B = 255	W = 0
		012 ⇔ 048	+ groen	R = 0	G = 0-255	B = 255	W = 0
		049	Cyaan	R = 0	G = 255	B = 255	W = 0
		050 ⇔ 086	- blauw	R = 0	G = 255	B = 255-0	W = 0
		087	Groen	R = 0	G = 255	B = 0	W = 0
		088 ⇔ 124	+ rood	R = 0-255	G = 255	B = 0	W = 0
		125	Geel	R = 255	G = 255	B = 0	W = 0
		126 ⇔ 162	- groen	R = 255	G = 255-0	B = 0	W = 0
		163	Rood	R = 255	G = 0	B = 0	W = 0
		164 ⇔ 200	+ blauw	R = 255	G = 0	B = 0-255	W = 0
		201	Magenta	R = 255	G = 0	B = 255	W = 0
		202 ⇔ 238	- rood	R = 255-0	G = 0	B = 255	W = 0
		239	Blauw	R = 0	G = 0	B = 255	W = 0
		240 ⇔ 247	Kleurverandering, snel tot langzaam				
248 ⇔ 255	Kleursprong, snel tot langzaam						
16	Achtergronddimmer	000 ⇔ 255	0-100%				
17	Fijneachtergronddimmer	000 ⇔ 255	0-100%				
18	Hoofddimmer	000 ⇔ 255	0-100%				
19	Fijnehoofddimmer	000 ⇔ 255	0-100%				

Kanaal	Functie	Waarde	Percentage/Instelling
20	Ringsluiters	000 ⇔ 019	Uit
		020 ⇔ 024	Aan
		025 ⇔ 069	Stroboscoop, snel tot langzaam
		070 ⇔ 089	Stroboscoop 100–0%, snel tot langzaam
		090 ⇔ 109	Stroboscoop 0–100%, snel tot langzaam
		110 ⇔ 129	Willekeurigestroboscoop, snel tot langzaam
		130 ⇔ 149	Willekeurigestroboscoop 100–0%, snel tot langzaam
		150 ⇔ 169	Willekeurigestroboscoop 0–100%, snel tot langzaam
		170 ⇔ 189	Pulsstroboscoop, snel tot langzaam
		190 ⇔ 209	Willekeurigepulsstroboscoop, snel tot langzaam
		210 ⇔ 229	Stroboscoop 0–100–0%, snel tot langzaam
		230 ⇔ 244	Willekeurigepulsstroboscoop, snel tot langzaam
		245 ⇔ 255	Aan
21	Straalingsluiters	000 ⇔ 019	Uit
		020 ⇔ 024	Aan
		025 ⇔ 069	Stroboscoop, snel tot langzaam
		070 ⇔ 089	Stroboscoop 100–0%, snel tot langzaam
		090 ⇔ 109	Stroboscoop 0–100%, snel tot langzaam
		110 ⇔ 129	Willekeurigestroboscoop, snel tot langzaam
		130 ⇔ 149	Willekeurigestroboscoop 100–0%, snel tot langzaam
		150 ⇔ 169	Willekeurigestroboscoop 0–100%, snel tot langzaam
		170 ⇔ 189	Pulsstroboscoop, snel tot langzaam
		190 ⇔ 209	Willekeurigepulsstroboscoop, snel tot langzaam
		210 ⇔ 229	Stroboscoop 0–100–0%, snel tot langzaam
		230 ⇔ 244	Willekeurigepulsstroboscoop, snel tot langzaam
		245 ⇔ 255	Aan
22	Zoom	000 ⇔ 255	Breed tot nauw
23	Regeling	000 ⇔ 009	Geen functie
		010 ⇔ 014	Zwenk-/kantelverduistering
		015 ⇔ 019	Gereserveerd voor toekomstig gebruik
		020 ⇔ 024	RGBW-kleurenmengmodus (additief)
		025 ⇔ 029	CMY-kleurenmengmodus (subtractief)
		030 ⇔ 049	Gereserveerd voor toekomstig gebruik
		050 ⇔ 054	Zwenk-reset
		055 ⇔ 059	Kantel-reset
		060 ⇔ 064	Zoom-reset
		065 ⇔ 069	Gereserveerd voor toekomstig gebruik
		070 ⇔ 074	Alles-reset
		075 ⇔ 109	Gereserveerd voor toekomstig gebruik
		110 ⇔ 114	Zwenk-/kantelsnelheid snel
		115 ⇔ 119	Zwenk-/kantelsnelheid langzaam
		120 ⇔ 124	Ventilatormodus langzaam
		125 ⇔ 129	Ventilatormodus volledig
		130 ⇔ 134	Ventilatormodus auto
		135 ⇔ 139	Dimmodus snel
140 ⇔ 144	Dimmodus langzaam		
145 ⇔ 255	Gereserveerd voor toekomstig gebruik		
24	Hoofdrood	000 ⇔ 255	RGBW-modus: 0–100% / CMY-modus: 100–0%
25	Fijnehoofdrood	000 ⇔ 255	RGBW-modus: 0–100% / CMY-modus: 100–0%
26	Hoofdgroen	000 ⇔ 255	RGBW-modus: 0–100% / CMY-modus: 100–0%
27	Fijnehoofdgroen	000 ⇔ 255	RGBW-modus: 0–100% / CMY-modus: 100–0%
28	Hoofdblauw	000 ⇔ 255	RGBW-modus: 0–100% / CMY-modus: 100–0%
29	Fijnehoofdblauw	000 ⇔ 255	RGBW-modus: 0–100% / CMY-modus: 100–0%
30	Hoofdwit	000 ⇔ 255	RGBW-modus: 0–100% / CMY-modus: 100–0%
31	Fijnehoofdwit	000 ⇔ 255	RGBW-modus: 0–100% / CMY-modus: 100–0%

Kanaal	Functie	Waarde	Percentage/Instelling
32	Dimmer 1	000 ⇄ 255	0–100%
33	Fijnedimmer 1	000 ⇄ 255	0–100%
34	Rood 1	000 ⇄ 255	RGBW-modus: 0–100% / CMY-modus: 100–0%
35	Fijnerood 1	000 ⇄ 255	RGBW-modus: 0–100% / CMY-modus: 100–0%
36	Groen 1	000 ⇄ 255	RGBW-modus: 0–100% / CMY-modus: 100–0%
37	Fijnegroen 1	000 ⇄ 255	RGBW-modus: 0–100% / CMY-modus: 100–0%
38	Blauw 1	000 ⇄ 255	RGBW-modus: 0–100% / CMY-modus: 100–0%
39	Fijneblauw 1	000 ⇄ 255	RGBW-modus: 0–100% / CMY-modus: 100–0%
40	Wit 1	000 ⇄ 255	RGBW-modus: 0–100% / CMY-modus: 100–0%
41	Fijnewit 1	000 ⇄ 255	RGBW-modus: 0–100% / CMY-modus: 100–0%
42	Dimmer 2	000 ⇄ 255	0–100%
43	Fijnedimmer 2	000 ⇄ 255	0–100%
44	Rood 2	000 ⇄ 255	RGBW-modus: 0–100% / CMY-modus: 100–0%
45	Fijnerood 2	000 ⇄ 255	RGBW-modus: 0–100% / CMY-modus: 100–0%
46	Groen 2	000 ⇄ 255	RGBW-modus: 0–100% / CMY-modus: 100–0%
47	Fijnegroen 2	000 ⇄ 255	RGBW-modus: 0–100% / CMY-modus: 100–0%
48	Blauw 2	000 ⇄ 255	RGBW-modus: 0–100% / CMY-modus: 100–0%
49	Fijneblauw 2	000 ⇄ 255	RGBW-modus: 0–100% / CMY-modus: 100–0%
50	Wit 2	000 ⇄ 255	RGBW-modus: 0–100% / CMY-modus: 100–0%
51	Fijnewit 2	000 ⇄ 255	RGBW-modus: 0–100% / CMY-modus: 100–0%
52	Dimmer 3	000 ⇄ 255	0–100%
53	Fijnedimmer 3	000 ⇄ 255	0–100%
54	Rood 3	000 ⇄ 255	RGBW-modus: 0–100% / CMY-modus: 100–0%
55	Fijnerood 3	000 ⇄ 255	RGBW-modus: 0–100% / CMY-modus: 100–0%
56	Groen 3	000 ⇄ 255	RGBW-modus: 0–100% / CMY-modus: 100–0%
57	Fijnegroen 3	000 ⇄ 255	RGBW-modus: 0–100% / CMY-modus: 100–0%
58	Blauw 3	000 ⇄ 255	RGBW-modus: 0–100% / CMY-modus: 100–0%
59	Fijneblauw 3	000 ⇄ 255	RGBW-modus: 0–100% / CMY-modus: 100–0%
60	Wit 3	000 ⇄ 255	RGBW-modus: 0–100% / CMY-modus: 100–0%
61	Fijnewit 3	000 ⇄ 255	RGBW-modus: 0–100% / CMY-modus: 100–0%
62	Dimmer 4	000 ⇄ 255	0–100%
63	Fijnedimmer 4	000 ⇄ 255	0–100%
64	Rood 4	000 ⇄ 255	RGBW-modus: 0–100% / CMY-modus: 100–0%
65	Fijnerood 4	000 ⇄ 255	RGBW-modus: 0–100% / CMY-modus: 100–0%
66	Groen 4	000 ⇄ 255	RGBW-modus: 0–100% / CMY-modus: 100–0%
67	Fijnegroen 4	000 ⇄ 255	RGBW-modus: 0–100% / CMY-modus: 100–0%
68	Blauw 4	000 ⇄ 255	RGBW-modus: 0–100% / CMY-modus: 100–0%
69	Fijneblauw 4	000 ⇄ 255	RGBW-modus: 0–100% / CMY-modus: 100–0%
70	Wit 4	000 ⇄ 255	RGBW-modus: 0–100% / CMY-modus: 100–0%
71	Fijnewit 4	000 ⇄ 255	RGBW-modus: 0–100% / CMY-modus: 100–0%
72	Dimmer 5	000 ⇄ 255	0–100%
73	Fijnedimmer 5	000 ⇄ 255	0–100%
74	Rood 5	000 ⇄ 255	RGBW-modus: 0–100% / CMY-modus: 100–0%
75	Fijnerood 5	000 ⇄ 255	RGBW-modus: 0–100% / CMY-modus: 100–0%
76	Groen 5	000 ⇄ 255	RGBW-modus: 0–100% / CMY-modus: 100–0%
77	Fijnegroen 5	000 ⇄ 255	RGBW-modus: 0–100% / CMY-modus: 100–0%
78	Blauw 5	000 ⇄ 255	RGBW-modus: 0–100% / CMY-modus: 100–0%
79	Fijneblauw 5	000 ⇄ 255	RGBW-modus: 0–100% / CMY-modus: 100–0%
80	Wit 5	000 ⇄ 255	RGBW-modus: 0–100% / CMY-modus: 100–0%
81	Fijnewit 5	000 ⇄ 255	RGBW-modus: 0–100% / CMY-modus: 100–0%
82	Dimmer 6	000 ⇄ 255	0–100%
83	Fijnedimmer 6	000 ⇄ 255	0–100%
84	Rood 6	000 ⇄ 255	RGBW-modus: 0–100% / CMY-modus: 100–0%
85	Fijnerood 6	000 ⇄ 255	RGBW-modus: 0–100% / CMY-modus: 100–0%

Kanaal	Functie	Waarde	Percentage/Instelling
86	Groen 6	000 ⇔ 255	RGBW-modus: 0–100% / CMY-modus: 100–0%
87	Fijnegroen 6	000 ⇔ 255	RGBW-modus: 0–100% / CMY-modus: 100–0%
88	Blauw 6	000 ⇔ 255	RGBW-modus: 0–100% / CMY-modus: 100–0%
89	Fijneblauw 6	000 ⇔ 255	RGBW-modus: 0–100% / CMY-modus: 100–0%
90	Wit 6	000 ⇔ 255	RGBW-modus: 0–100% / CMY-modus: 100–0%
91	Fijnwit 6	000 ⇔ 255	RGBW-modus: 0–100% / CMY-modus: 100–0%
92	Dimmer 7	000 ⇔ 255	0–100%
93	Fijnedimmer 7	000 ⇔ 255	0–100%
94	Rood 7	000 ⇔ 255	RGBW-modus: 0–100% / CMY-modus: 100–0%
95	Fijnerood 7	000 ⇔ 255	RGBW-modus: 0–100% / CMY-modus: 100–0%
96	Groen 7	000 ⇔ 255	RGBW-modus: 0–100% / CMY-modus: 100–0%
97	Fijnegroen 7	000 ⇔ 255	RGBW-modus: 0–100% / CMY-modus: 100–0%
98	Blauw 7	000 ⇔ 255	RGBW-modus: 0–100% / CMY-modus: 100–0%
99	Fijneblauw 7	000 ⇔ 255	RGBW-modus: 0–100% / CMY-modus: 100–0%
100	Wit 7	000 ⇔ 255	RGBW-modus: 0–100% / CMY-modus: 100–0%
101	Fijnwit 7	000 ⇔ 255	RGBW-modus: 0–100% / CMY-modus: 100–0%
102	Dimmer 8	000 ⇔ 255	0–100%
103	Fijnedimmer 8	000 ⇔ 255	0–100%
104	Rood 8	000 ⇔ 255	RGBW-modus: 0–100% / CMY-modus: 100–0%
105	Fijnerood 8	000 ⇔ 255	RGBW-modus: 0–100% / CMY-modus: 100–0%
106	Groen 8	000 ⇔ 255	RGBW-modus: 0–100% / CMY-modus: 100–0%
107	Fijnegroen 8	000 ⇔ 255	RGBW-modus: 0–100% / CMY-modus: 100–0%
108	Blauw 8	000 ⇔ 255	RGBW-modus: 0–100% / CMY-modus: 100–0%
109	Fijneblauw 8	000 ⇔ 255	RGBW-modus: 0–100% / CMY-modus: 100–0%
110	Wit 8	000 ⇔ 255	RGBW-modus: 0–100% / CMY-modus: 100–0%
111	Fijnwit 8	000 ⇔ 255	RGBW-modus: 0–100% / CMY-modus: 100–0%
112	Dimmer 9	000 ⇔ 255	0–100%
113	Fijnedimmer 9	000 ⇔ 255	0–100%
114	Rood 9	000 ⇔ 255	RGBW-modus: 0–100% / CMY-modus: 100–0%
115	Fijnerood 9	000 ⇔ 255	RGBW-modus: 0–100% / CMY-modus: 100–0%
116	Groen 9	000 ⇔ 255	RGBW-modus: 0–100% / CMY-modus: 100–0%
117	Fijnegroen 9	000 ⇔ 255	RGBW-modus: 0–100% / CMY-modus: 100–0%
118	Blauw 9	000 ⇔ 255	RGBW-modus: 0–100% / CMY-modus: 100–0%
119	Fijneblauw 9	000 ⇔ 255	RGBW-modus: 0–100% / CMY-modus: 100–0%
120	Wit 9	000 ⇔ 255	RGBW-modus: 0–100% / CMY-modus: 100–0%
121	Fijnwit 9	000 ⇔ 255	RGBW-modus: 0–100% / CMY-modus: 100–0%
122	Dimmer 10	000 ⇔ 255	0–100%
123	Fijnedimmer 10	000 ⇔ 255	0–100%
124	Rood 10	000 ⇔ 255	RGBW-modus: 0–100% / CMY-modus: 100–0%
125	Fijnerood 10	000 ⇔ 255	RGBW-modus: 0–100% / CMY-modus: 100–0%
126	Groen 10	000 ⇔ 255	RGBW-modus: 0–100% / CMY-modus: 100–0%
127	Fijnegroen 10	000 ⇔ 255	RGBW-modus: 0–100% / CMY-modus: 100–0%
128	Blauw 10	000 ⇔ 255	RGBW-modus: 0–100% / CMY-modus: 100–0%
129	Fijneblauw 10	000 ⇔ 255	RGBW-modus: 0–100% / CMY-modus: 100–0%
130	Wit 10	000 ⇔ 255	RGBW-modus: 0–100% / CMY-modus: 100–0%
131	Fijnwit 10	000 ⇔ 255	RGBW-modus: 0–100% / CMY-modus: 100–0%

“Single Control”: “Advanced”-modus (113Ch)

Kanaal	Functie	Waarde	Percentage/Instelling
1	Zwenken	000 ⇔ 255	0–100%
2	Fijnezwenken	000 ⇔ 255	0–100%
3	Kantelen	000 ⇔ 255	0–100%
4	Fijnekantelen	000 ⇔ 255	0–100%
5	Continue zwenken	000	Geen functie
		001 ⇔ 127	Continue zwenken, snel tot langzaam
		128	Geen functie
6	Continue kantelen	129 ⇔ 255	Omgekeerde continue zwenken, langzaam tot snel
		000	Geen functie
		001 ⇔ 127	Continue kantelen, snel tot langzaam
7	Zwenken/Kantelensnelheid	128	Geen functie
		129 ⇔ 255	Omgekeerde continue kantelen, langzaam tot snel
		000 ⇔ 255	Snel tot langzaam
8	CTC	000	Geen functie
		001 ⇔ 255	Kleurtemperatuur, 2800–10000 K
9	Ring kleur	000	Geen functie
		001 ⇔ 002	2700K R = 156 G = 118 B = 0 W = 63
		003 ⇔ 004	3200K R = 156 G = 141 B = 5 W = 89
		005 ⇔ 006	4200K R = 156 G = 141 B = 14 W = 255
		007 ⇔ 008	5600K R = 156 G = 207 B = 54 W = 255
		009 ⇔ 010	8000K R = 130 G = 255 B = 96 W = 255
		011	Blauw R = 0 G = 0 B = 255 W = 0
		012 ⇔ 048	+ groen R = 0 G = 0–255 B = 255 W = 0
		049	Cyaan R = 0 G = 255 B = 255 W = 0
		050 ⇔ 086	- blauw R = 0 G = 255 B = 255–0 W = 0
		087	Groen R = 0 G = 255 B = 0 W = 0
		088 ⇔ 124	+ rood R = 0–255 G = 255 B = 0 W = 0
		125	Geel R = 255 G = 255 B = 0 W = 0
		126 ⇔ 162	- groen R = 255 G = 255–0 B = 0 W = 0
		163	Rood R = 255 G = 0 B = 0 W = 0
		164 ⇔ 200	+ blauw R = 255 G = 0 B = 0–255 W = 0
		201	Magenta R = 255 G = 0 B = 255 W = 0
		202 ⇔ 238	- rood R = 255–0 G = 0 B = 255 W = 0
		239	Blauw R = 0 G = 0 B = 255 W = 0
		240 ⇔ 247	Kleurverandering, snel tot langzaam
248 ⇔ 255	Kleursprong, snel tot langzaam		

Kanaal	Functie	Waarde	Percentage/Instelling				
10	Straalingskleur	000	Geen functie				
		001 ⇔ 002	2700K	R = 156	G = 118	B = 0	W = 63
		003 ⇔ 004	3200K	R = 156	G = 141	B = 5	W = 89
		005 ⇔ 006	4200K	R = 156	G = 141	B = 14	W = 255
		007 ⇔ 008	5600K	R = 156	G = 207	B = 54	W = 255
		009 ⇔ 010	8000K	R = 130	G = 255	B = 96	W = 255
		011	Blauw	R = 0	G = 0	B = 255	W = 0
		012 ⇔ 048	+ groen	R = 0	G = 0–255	B = 255	W = 0
		049	Cyaan	R = 0	G = 255	B = 255	W = 0
		050 ⇔ 086	- blauw	R = 0	G = 255	B = 255–0	W = 0
		087	Groen	R = 0	G = 255	B = 0	W = 0
		088 ⇔ 124	+ rood	R = 0–255	G = 255	B = 0	W = 0
		125	Geel	R = 255	G = 255	B = 0	W = 0
		126 ⇔ 162	- groen	R = 255	G = 255–0	B = 0	W = 0
		163	Rood	R = 255	G = 0	B = 0	W = 0
		164 ⇔ 200	+ blauw	R = 255	G = 0	B = 0–255	W = 0
		201	Magenta	R = 255	G = 0	B = 255	W = 0
		202 ⇔ 238	- rood	R = 255–0	G = 0	B = 255	W = 0
		239	Blauw	R = 0	G = 0	B = 255	W = 0
		240 ⇔ 247	Kleurverandering, snel tot langzaam				
248 ⇔ 255	Kleursprong, snel tot langzaam						
11	Gobo	000	Geen functie				
		001 ⇔ 255	Gobos (geïndexeerd)				
12	LED Macro / Automatisch programma	000 ⇔ 015	Geen functie				
		016 ⇔ 135	LED macro's				
		136 ⇔ 255	Automatische programma's				
13	LED Macro / Automatisch programmasnelheid	000 ⇔ 127	Kleurwijziging met de klok mee, snel tot langzaam				
		128	Bevriezen				
		129 ⇔ 255	Kleurwijziging tegen de klok in, langzaam tot snel				
14	LED ingebouwde vertraging	000 ⇔ 255	Snel tot langzaam				
15	Achtergrondkleur	000	Geen functie				
		001 ⇔ 002	2700K	R = 156	G = 118	B = 0	W = 63
		003 ⇔ 004	3200K	R = 156	G = 141	B = 5	W = 89
		005 ⇔ 006	4200K	R = 156	G = 141	B = 14	W = 255
		007 ⇔ 008	5600K	R = 156	G = 207	B = 54	W = 255
		009 ⇔ 010	8000K	R = 130	G = 255	B = 96	W = 255
		011	Blauw	R = 0	G = 0	B = 255	W = 0
		012 ⇔ 048	+ groen	R = 0	G = 0–255	B = 255	W = 0
		049	Cyaan	R = 0	G = 255	B = 255	W = 0
		050 ⇔ 086	- blauw	R = 0	G = 255	B = 255–0	W = 0
		087	Groen	R = 0	G = 255	B = 0	W = 0
		088 ⇔ 124	+ rood	R = 0–255	G = 255	B = 0	W = 0
		125	Geel	R = 255	G = 255	B = 0	W = 0
		126 ⇔ 162	- groen	R = 255	G = 255–0	B = 0	W = 0
		163	Rood	R = 255	G = 0	B = 0	W = 0
		164 ⇔ 200	+ blauw	R = 255	G = 0	B = 0–255	W = 0
		201	Magenta	R = 255	G = 0	B = 255	W = 0
		202 ⇔ 238	- rood	R = 255–0	G = 0	B = 255	W = 0
		239	Blauw	R = 0	G = 0	B = 255	W = 0
		240 ⇔ 247	Kleurverandering, snel tot langzaam				
248 ⇔ 255	Kleursprong, snel tot langzaam						
16	Achtergronddimmer	000 ⇔ 255	0–100%				
17	Fijneachtergronddimmer	000 ⇔ 255	0–100%				
18	Ringdimmer	000 ⇔ 255	0–100%				
19	Fijneringdimmer	000 ⇔ 255	0–100%				

Kanaal	Functie	Waarde	Percentage/Instelling
20	Straalingsdimmer	000 ⇄ 255	0–100%
21	Fijnestraalingsdimmer	000 ⇄ 255	0–100%
22	Ringsluiters	000 ⇄ 019	Uit
		020 ⇄ 024	Aan
		025 ⇄ 069	Stroboscoop, snel tot langzaam
		070 ⇄ 089	Stroboscoop 100–0%, snel tot langzaam
		090 ⇄ 109	Stroboscoop 0–100%, snel tot langzaam
		110 ⇄ 129	Willekeurigestroboscoop, snel tot langzaam
		130 ⇄ 149	Willekeurigestroboscoop 100–0%, snel tot langzaam
		150 ⇄ 169	Willekeurigestroboscoop 0–100%, snel tot langzaam
		170 ⇄ 189	Pulsstroboscoop, snel tot langzaam
		190 ⇄ 209	Willekeurigepulsstroboscoop, snel tot langzaam
		210 ⇄ 229	Stroboscoop 0–100–0%, snel tot langzaam
		230 ⇄ 244	Willekeurigepulsstroboscoop, snel tot langzaam
		245 ⇄ 255	Aan
23	Straalingsluiters	000 ⇄ 019	Uit
		020 ⇄ 024	Aan
		025 ⇄ 069	Stroboscoop, snel tot langzaam
		070 ⇄ 089	Stroboscoop 100–0%, snel tot langzaam
		090 ⇄ 109	Stroboscoop 0–100%, snel tot langzaam
		110 ⇄ 129	Willekeurigestroboscoop, snel tot langzaam
		130 ⇄ 149	Willekeurigestroboscoop 100–0%, snel tot langzaam
		150 ⇄ 169	Willekeurigestroboscoop 0–100%, snel tot langzaam
		170 ⇄ 189	Pulsstroboscoop, snel tot langzaam
		190 ⇄ 209	Willekeurigepulsstroboscoop, snel tot langzaam
		210 ⇄ 229	Stroboscoop 0–100–0%, snel tot langzaam
		230 ⇄ 244	Willekeurigepulsstroboscoop, snel tot langzaam
		245 ⇄ 255	Aan
24	Zoom	000 ⇄ 255	Breed tot nauw
25	Regeling	000 ⇄ 009	Geen functie
		010 ⇄ 014	Zwenk-/kantelverduistering
		015 ⇄ 019	Gereserveerd voor toekomstig gebruik
		020 ⇄ 024	RGBW-kleurenmengmodus (additief)
		025 ⇄ 029	CMY-kleurenmengmodus (subtractief)
		030 ⇄ 049	Gereserveerd voor toekomstig gebruik
		050 ⇄ 054	Zwenk-reset
		055 ⇄ 059	Kantel-reset
		060 ⇄ 064	Zoom-reset
		065 ⇄ 069	Gereserveerd voor toekomstig gebruik
		070 ⇄ 074	Alles-reset
		075 ⇄ 109	Gereserveerd voor toekomstig gebruik
		110 ⇄ 114	Zwenk-/kantelsnelheid snel
		115 ⇄ 119	Zwenk-/kantelsnelheid langzaam
		120 ⇄ 124	Ventilatormodus langzaam
		125 ⇄ 129	Ventilatormodus volledig
		130 ⇄ 134	Ventilatormodus auto
135 ⇄ 139	Dimmodus snel		
140 ⇄ 144	Dimmodus langzaam		
145 ⇄ 255	Gereserveerd voor toekomstig gebruik		
26	Hoofdrood	000 ⇄ 255	RGBW-modus: 0–100% / CMY-modus: 100–0%
27	Fijnehoofdrood	000 ⇄ 255	RGBW-modus: 0–100% / CMY-modus: 100–0%
28	Hoofdgroen	000 ⇄ 255	RGBW-modus: 0–100% / CMY-modus: 100–0%
29	Fijnehoofdgroen	000 ⇄ 255	RGBW-modus: 0–100% / CMY-modus: 100–0%
30	Hoofdblauw	000 ⇄ 255	RGBW-modus: 0–100% / CMY-modus: 100–0%
31	Fijnehoofdblauw	000 ⇄ 255	RGBW-modus: 0–100% / CMY-modus: 100–0%

Kanaal	Functie	Waarde	Percentage/Instelling
32	Hoofdwit	000 ⇔ 255	RGBW-modus: 0–100% / CMY-modus: 100–0%
33	Fijnehoofdwit	000 ⇔ 255	RGBW-modus: 0–100% / CMY-modus: 100–0%
34	Rood 1	000 ⇔ 255	RGBW-modus: 0–100% / CMY-modus: 100–0%
35	Fijnerood 1	000 ⇔ 255	RGBW-modus: 0–100% / CMY-modus: 100–0%
36	Groen 1	000 ⇔ 255	RGBW-modus: 0–100% / CMY-modus: 100–0%
37	Fijnegroen 1	000 ⇔ 255	RGBW-modus: 0–100% / CMY-modus: 100–0%
38	Blauwe 1	000 ⇔ 255	RGBW-modus: 0–100% / CMY-modus: 100–0%
39	Fijneblauw 1	000 ⇔ 255	RGBW-modus: 0–100% / CMY-modus: 100–0%
40	Wit 1	000 ⇔ 255	RGBW-modus: 0–100% / CMY-modus: 100–0%
41	Fijnwit 1	000 ⇔ 255	RGBW-modus: 0–100% / CMY-modus: 100–0%
42	Rood 2	000 ⇔ 255	RGBW-modus: 0–100% / CMY-modus: 100–0%
43	Fijnerood 2	000 ⇔ 255	RGBW-modus: 0–100% / CMY-modus: 100–0%
44	Groen 2	000 ⇔ 255	RGBW-modus: 0–100% / CMY-modus: 100–0%
45	Fijnegroen 2	000 ⇔ 255	RGBW-modus: 0–100% / CMY-modus: 100–0%
46	Blauwe 2	000 ⇔ 255	RGBW-modus: 0–100% / CMY-modus: 100–0%
47	Fijneblauw 2	000 ⇔ 255	RGBW-modus: 0–100% / CMY-modus: 100–0%
48	Wit 2	000 ⇔ 255	RGBW-modus: 0–100% / CMY-modus: 100–0%
49	Fijnwit 2	000 ⇔ 255	RGBW-modus: 0–100% / CMY-modus: 100–0%
50	Rood 3	000 ⇔ 255	RGBW-modus: 0–100% / CMY-modus: 100–0%
51	Fijnerood 3	000 ⇔ 255	RGBW-modus: 0–100% / CMY-modus: 100–0%
52	Groen 3	000 ⇔ 255	RGBW-modus: 0–100% / CMY-modus: 100–0%
53	Fijnegroen 3	000 ⇔ 255	RGBW-modus: 0–100% / CMY-modus: 100–0%
54	Blauwe 3	000 ⇔ 255	RGBW-modus: 0–100% / CMY-modus: 100–0%
55	Fijneblauw 3	000 ⇔ 255	RGBW-modus: 0–100% / CMY-modus: 100–0%
56	Wit 3	000 ⇔ 255	RGBW-modus: 0–100% / CMY-modus: 100–0%
57	Fijnwit 3	000 ⇔ 255	RGBW-modus: 0–100% / CMY-modus: 100–0%
58	Rood 4	000 ⇔ 255	RGBW-modus: 0–100% / CMY-modus: 100–0%
59	Fijnerood 4	000 ⇔ 255	RGBW-modus: 0–100% / CMY-modus: 100–0%
60	Groen 4	000 ⇔ 255	RGBW-modus: 0–100% / CMY-modus: 100–0%
61	Fijnegroen 4	000 ⇔ 255	RGBW-modus: 0–100% / CMY-modus: 100–0%
62	Blauwe 4	000 ⇔ 255	RGBW-modus: 0–100% / CMY-modus: 100–0%
63	Fijneblauw 4	000 ⇔ 255	RGBW-modus: 0–100% / CMY-modus: 100–0%
64	Wit 4	000 ⇔ 255	RGBW-modus: 0–100% / CMY-modus: 100–0%
65	Fijnwit 4	000 ⇔ 255	RGBW-modus: 0–100% / CMY-modus: 100–0%
66	Rood 5	000 ⇔ 255	RGBW-modus: 0–100% / CMY-modus: 100–0%
67	Fijnerood 5	000 ⇔ 255	RGBW-modus: 0–100% / CMY-modus: 100–0%
68	Groen 5	000 ⇔ 255	RGBW-modus: 0–100% / CMY-modus: 100–0%
69	Fijnegroen 5	000 ⇔ 255	RGBW-modus: 0–100% / CMY-modus: 100–0%
70	Blauwe 5	000 ⇔ 255	RGBW-modus: 0–100% / CMY-modus: 100–0%
71	Fijneblauw 5	000 ⇔ 255	RGBW-modus: 0–100% / CMY-modus: 100–0%
72	Wit 5	000 ⇔ 255	RGBW-modus: 0–100% / CMY-modus: 100–0%
73	Fijnwit 5	000 ⇔ 255	RGBW-modus: 0–100% / CMY-modus: 100–0%
74	Rood 6	000 ⇔ 255	RGBW-modus: 0–100% / CMY-modus: 100–0%
75	Fijnerood 6	000 ⇔ 255	RGBW-modus: 0–100% / CMY-modus: 100–0%
76	Groen 6	000 ⇔ 255	RGBW-modus: 0–100% / CMY-modus: 100–0%
77	Fijnegroen 6	000 ⇔ 255	RGBW-modus: 0–100% / CMY-modus: 100–0%
78	Blauwe 6	000 ⇔ 255	RGBW-modus: 0–100% / CMY-modus: 100–0%
79	Fijneblauw 6	000 ⇔ 255	RGBW-modus: 0–100% / CMY-modus: 100–0%
80	Wit 6	000 ⇔ 255	RGBW-modus: 0–100% / CMY-modus: 100–0%
81	Fijnwit 6	000 ⇔ 255	RGBW-modus: 0–100% / CMY-modus: 100–0%
82	Rood 7	000 ⇔ 255	RGBW-modus: 0–100% / CMY-modus: 100–0%
83	Fijnerood 7	000 ⇔ 255	RGBW-modus: 0–100% / CMY-modus: 100–0%
84	Groen 7	000 ⇔ 255	RGBW-modus: 0–100% / CMY-modus: 100–0%
85	Fijnegroen 7	000 ⇔ 255	RGBW-modus: 0–100% / CMY-modus: 100–0%

Kanaal	Functie	Waarde	Percentage/Instelling
86	Blauwe 7	000 ⇔ 255	RGBW-modus: 0–100% / CMY-modus: 100–0%
87	Fijneblauw 7	000 ⇔ 255	RGBW-modus: 0–100% / CMY-modus: 100–0%
88	Wit 7	000 ⇔ 255	RGBW-modus: 0–100% / CMY-modus: 100–0%
89	Fijnewit 7	000 ⇔ 255	RGBW-modus: 0–100% / CMY-modus: 100–0%
90	Rood 8	000 ⇔ 255	RGBW-modus: 0–100% / CMY-modus: 100–0%
91	Fijnerood 8	000 ⇔ 255	RGBW-modus: 0–100% / CMY-modus: 100–0%
92	Groen 8	000 ⇔ 255	RGBW-modus: 0–100% / CMY-modus: 100–0%
93	Fijnegroen 8	000 ⇔ 255	RGBW-modus: 0–100% / CMY-modus: 100–0%
94	Blauwe 8	000 ⇔ 255	RGBW-modus: 0–100% / CMY-modus: 100–0%
95	Fijneblauw 8	000 ⇔ 255	RGBW-modus: 0–100% / CMY-modus: 100–0%
96	Wit 8	000 ⇔ 255	RGBW-modus: 0–100% / CMY-modus: 100–0%
97	Fijnewit 8	000 ⇔ 255	RGBW-modus: 0–100% / CMY-modus: 100–0%
98	Rood 9	000 ⇔ 255	RGBW-modus: 0–100% / CMY-modus: 100–0%
99	Fijnerood 9	000 ⇔ 255	RGBW-modus: 0–100% / CMY-modus: 100–0%
100	Groen 9	000 ⇔ 255	RGBW-modus: 0–100% / CMY-modus: 100–0%
101	Fijnegroen 9	000 ⇔ 255	RGBW-modus: 0–100% / CMY-modus: 100–0%
102	Blauwe 9	000 ⇔ 255	RGBW-modus: 0–100% / CMY-modus: 100–0%
103	Fijneblauw 9	000 ⇔ 255	RGBW-modus: 0–100% / CMY-modus: 100–0%
104	Wit 9	000 ⇔ 255	RGBW-modus: 0–100% / CMY-modus: 100–0%
105	Fijnewit 9	000 ⇔ 255	RGBW-modus: 0–100% / CMY-modus: 100–0%
106	Rood 10	000 ⇔ 255	RGBW-modus: 0–100% / CMY-modus: 100–0%
107	Fijnerood 10	000 ⇔ 255	RGBW-modus: 0–100% / CMY-modus: 100–0%
108	Groen 10	000 ⇔ 255	RGBW-modus: 0–100% / CMY-modus: 100–0%
109	Fijnegroen 10	000 ⇔ 255	RGBW-modus: 0–100% / CMY-modus: 100–0%
110	Blauwe 10	000 ⇔ 255	RGBW-modus: 0–100% / CMY-modus: 100–0%
111	Fijneblauw 10	000 ⇔ 255	RGBW-modus: 0–100% / CMY-modus: 100–0%
112	Wit 10	000 ⇔ 255	RGBW-modus: 0–100% / CMY-modus: 100–0%
113	Fijnewit 10	000 ⇔ 255	RGBW-modus: 0–100% / CMY-modus: 100–0%

“Single Control”: “Standard”-modus (66Ch)

Kanaal	Functie	Waarde	Percentage/Instelling
1	Zwenken	000 ⇔ 255	0–100%
2	Fijnezwenken	000 ⇔ 255	0–100%
3	Kantelen	000 ⇔ 255	0–100%
4	Fijnekantelen	000 ⇔ 255	0–100%
5	Continue zwenken	000	Geen functie
		001 ⇔ 127	Continue zwenken, snel tot langzaam
		128	Geen functie
6	Continue kantelen	129 ⇔ 255	Omgekeerde continue zwenken, langzaam tot snel
		000	Geen functie
		001 ⇔ 127	Continue kantelen, snel tot langzaam
7	Zwenken/Kantelensnelheid	128	Geen functie
		129 ⇔ 255	Omgekeerde continue kantelen, langzaam tot snel
		000 ⇔ 255	Snel tot langzaam
8	CTC	000	Geen functie
		001 ⇔ 255	Kleurtemperatuur, 2800–10000 K

Kanaal	Functie	Waarde	Percentage/Instelling				
9	Ring kleur	000	Geen functie				
		001 ⇔ 002	2700K	R = 156	G = 118	B = 0	W = 63
		003 ⇔ 004	3200K	R = 156	G = 141	B = 5	W = 89
		005 ⇔ 006	4200K	R = 156	G = 141	B = 14	W = 255
		007 ⇔ 008	5600K	R = 156	G = 207	B = 54	W = 255
		009 ⇔ 010	8000K	R = 130	G = 255	B = 96	W = 255
		011	Blauw	R = 0	G = 0	B = 255	W = 0
		012 ⇔ 048	+ groen	R = 0	G = 0–255	B = 255	W = 0
		049	Cyaan	R = 0	G = 255	B = 255	W = 0
		050 ⇔ 086	- blauw	R = 0	G = 255	B = 255–0	W = 0
		087	Groen	R = 0	G = 255	B = 0	W = 0
		088 ⇔ 124	+ rood	R = 0–255	G = 255	B = 0	W = 0
		125	Geel	R = 255	G = 255	B = 0	W = 0
		126 ⇔ 162	- groen	R = 255	G = 255–0	B = 0	W = 0
		163	Rood	R = 255	G = 0	B = 0	W = 0
		164 ⇔ 200	+ blauw	R = 255	G = 0	B = 0–255	W = 0
		201	Magenta	R = 255	G = 0	B = 255	W = 0
		202 ⇔ 238	- rood	R = 255–0	G = 0	B = 255	W = 0
		239	Blauw	R = 0	G = 0	B = 255	W = 0
		240 ⇔ 247	Kleurverandering, snel tot langzaam				
248 ⇔ 255	Kleursprong, snel tot langzaam						
10	Straalingskleur	000	Geen functie				
		001 ⇔ 002	2700K	R = 156	G = 118	B = 0	W = 63
		003 ⇔ 004	3200K	R = 156	G = 141	B = 5	W = 89
		005 ⇔ 006	4200K	R = 156	G = 141	B = 14	W = 255
		007 ⇔ 008	5600K	R = 156	G = 207	B = 54	W = 255
		009 ⇔ 010	8000K	R = 130	G = 255	B = 96	W = 255
		011	Blauw	R = 0	G = 0	B = 255	W = 0
		012 ⇔ 048	+ groen	R = 0	G = 0–255	B = 255	W = 0
		049	Cyaan	R = 0	G = 255	B = 255	W = 0
		050 ⇔ 086	- blauw	R = 0	G = 255	B = 255–0	W = 0
		087	Groen	R = 0	G = 255	B = 0	W = 0
		088 ⇔ 124	+ rood	R = 0–255	G = 255	B = 0	W = 0
		125	Geel	R = 255	G = 255	B = 0	W = 0
		126 ⇔ 162	- groen	R = 255	G = 255–0	B = 0	W = 0
		163	Rood	R = 255	G = 0	B = 0	W = 0
		164 ⇔ 200	+ blauw	R = 255	G = 0	B = 0–255	W = 0
		201	Magenta	R = 255	G = 0	B = 255	W = 0
		202 ⇔ 238	- rood	R = 255–0	G = 0	B = 255	W = 0
		239	Blauw	R = 0	G = 0	B = 255	W = 0
		240 ⇔ 247	Kleurverandering, snel tot langzaam				
248 ⇔ 255	Kleursprong, snel tot langzaam						
11	Gobo	000	Geen functie				
		001 ⇔ 255	Gobos (geïndexeerd)				
12	LED Macro / Automatisch programma	000 ⇔ 015	Geen functie				
		016 ⇔ 135	LED macro's				
		136 ⇔ 255	Automatische programma's				
13	LED Macro / Automatisch programmasnelheid	000 ⇔ 127	Kleurwijziging met de klok mee, snel tot langzaam				
		128	Bevriezen				
		129 ⇔ 255	Kleurwijziging tegen de klok in, langzaam tot snel				
14	LED ingebouwde vertraging	000 ⇔ 255	Snel tot langzaam				

Kanaal	Functie	Waarde	Percentage/Instelling
15	Achtergrondkleur	000	Geen functie
		001 ⇔ 002	2700K R = 156 G = 118 B = 0 W = 63
		003 ⇔ 004	3200K R = 156 G = 141 B = 5 W = 89
		005 ⇔ 006	4200K R = 156 G = 141 B = 14 W = 255
		007 ⇔ 008	5600K R = 156 G = 207 B = 54 W = 255
		009 ⇔ 010	8000K R = 130 G = 255 B = 96 W = 255
		011	Blauw R = 0 G = 0 B = 255 W = 0
		012 ⇔ 048	+ groen R = 0 G = 0-255 B = 255 W = 0
		049	Cyaan R = 0 G = 255 B = 255 W = 0
		050 ⇔ 086	- blauw R = 0 G = 255 B = 255-0 W = 0
		087	Groen R = 0 G = 255 B = 0 W = 0
		088 ⇔ 124	+ rood R = 0-255 G = 255 B = 0 W = 0
		125	Geel R = 255 G = 255 B = 0 W = 0
		126 ⇔ 162	- groen R = 255 G = 255-0 B = 0 W = 0
		163	Rood R = 255 G = 0 B = 0 W = 0
		164 ⇔ 200	+ blauw R = 255 G = 0 B = 0-255 W = 0
		201	Magenta R = 255 G = 0 B = 255 W = 0
		202 ⇔ 238	- rood R = 255-0 G = 0 B = 255 W = 0
		239	Blauw R = 0 G = 0 B = 255 W = 0
		240 ⇔ 247	Kleurverandering, snel tot langzaam
248 ⇔ 255	Kleursprong, snel tot langzaam		
16	Achtergronddimmer	000 ⇔ 255	0-100%
17	Ringdimmer	000 ⇔ 255	0-100%
18	Straalingsdimmer	000 ⇔ 255	0-100%
19	Ringsluiser	000 ⇔ 019	Uit
		020 ⇔ 024	Aan
		025 ⇔ 069	Stroboscoop, snel tot langzaam
		070 ⇔ 089	Stroboscoop 100-0%, snel tot langzaam
		090 ⇔ 109	Stroboscoop 0-100%, snel tot langzaam
		110 ⇔ 129	Willekeurigestroboscoop, snel tot langzaam
		130 ⇔ 149	Willekeurigestroboscoop 100-0%, snel tot langzaam
		150 ⇔ 169	Willekeurigestroboscoop 0-100%, snel tot langzaam
		170 ⇔ 189	Pulsstroboscoop, snel tot langzaam
		190 ⇔ 209	Willekeurigepulsstroboscoop, snel tot langzaam
		210 ⇔ 229	Stroboscoop 0-100-0%, snel tot langzaam
		230 ⇔ 244	Willekeurigepulsstroboscoop, snel tot langzaam
		245 ⇔ 255	Aan
20	Straalingsluiser	000 ⇔ 019	Uit
		020 ⇔ 024	Aan
		025 ⇔ 069	Stroboscoop, snel tot langzaam
		070 ⇔ 089	Stroboscoop 100-0%, snel tot langzaam
		090 ⇔ 109	Stroboscoop 0-100%, snel tot langzaam
		110 ⇔ 129	Willekeurigestroboscoop, snel tot langzaam
		130 ⇔ 149	Willekeurigestroboscoop 100-0%, snel tot langzaam
		150 ⇔ 169	Willekeurigestroboscoop 0-100%, snel tot langzaam
		170 ⇔ 189	Pulsstroboscoop, snel tot langzaam
		190 ⇔ 209	Willekeurigepulsstroboscoop, snel tot langzaam
		210 ⇔ 229	Stroboscoop 0-100-0%, snel tot langzaam
		230 ⇔ 244	Willekeurigepulsstroboscoop, snel tot langzaam
		245 ⇔ 255	Aan
21	Zoom	000 ⇔ 255	Breed tot nauw

Kanaal	Functie	Waarde	Percentage/Instelling
22	Regeling	000 ⇔ 009	Geen functie
		010 ⇔ 014	Zwenk-/kantelverduistering
		015 ⇔ 019	Gereserveerd voor toekomstig gebruik
		020 ⇔ 024	RGBW-kleurenmengmodus (additief)
		025 ⇔ 029	CMY-kleurenmengmodus (subtractief)
		030 ⇔ 049	Gereserveerd voor toekomstig gebruik
		050 ⇔ 054	Zwenk-reset
		055 ⇔ 059	Kantel-reset
		060 ⇔ 064	Zoom-reset
		065 ⇔ 069	Gereserveerd voor toekomstig gebruik
		070 ⇔ 074	Alles-reset
		075 ⇔ 109	Gereserveerd voor toekomstig gebruik
		110 ⇔ 114	Zwenk-/kantelsnelheid snel
		115 ⇔ 119	Zwenk-/kantelsnelheid langzaam
		120 ⇔ 124	Ventilatormodus langzaam
		125 ⇔ 129	Ventilatormodus volledig
130 ⇔ 134	Ventilatormodus auto		
135 ⇔ 139	Dimmodus snel		
140 ⇔ 144	Dimmodus langzaam		
145 ⇔ 255	Gereserveerd voor toekomstig gebruik		
23	Hoofdrood	000 ⇔ 255	RGBW-modus: 0–100% / CMY-modus: 100–0%
24	Hoofdgroen	000 ⇔ 255	RGBW-modus: 0–100% / CMY-modus: 100–0%
25	Hoofdblauw	000 ⇔ 255	RGBW-modus: 0–100% / CMY-modus: 100–0%
26	Hoofdwit	000 ⇔ 255	RGBW-modus: 0–100% / CMY-modus: 100–0%
27	Rood 1	000 ⇔ 255	RGBW-modus: 0–100% / CMY-modus: 100–0%
28	Groen 1	000 ⇔ 255	RGBW-modus: 0–100% / CMY-modus: 100–0%
29	Blauw 1	000 ⇔ 255	RGBW-modus: 0–100% / CMY-modus: 100–0%
30	Wit 1	000 ⇔ 255	RGBW-modus: 0–100% / CMY-modus: 100–0%
31	Rood 2	000 ⇔ 255	RGBW-modus: 0–100% / CMY-modus: 100–0%
32	Groen 2	000 ⇔ 255	RGBW-modus: 0–100% / CMY-modus: 100–0%
33	Blauw 2	000 ⇔ 255	RGBW-modus: 0–100% / CMY-modus: 100–0%
34	Wit 2	000 ⇔ 255	RGBW-modus: 0–100% / CMY-modus: 100–0%
35	Rood 3	000 ⇔ 255	RGBW-modus: 0–100% / CMY-modus: 100–0%
36	Groen 3	000 ⇔ 255	RGBW-modus: 0–100% / CMY-modus: 100–0%
37	Blauw 3	000 ⇔ 255	RGBW-modus: 0–100% / CMY-modus: 100–0%
38	Wit 3	000 ⇔ 255	RGBW-modus: 0–100% / CMY-modus: 100–0%
39	Rood 4	000 ⇔ 255	RGBW-modus: 0–100% / CMY-modus: 100–0%
40	Groen 4	000 ⇔ 255	RGBW-modus: 0–100% / CMY-modus: 100–0%
41	Blauw 4	000 ⇔ 255	RGBW-modus: 0–100% / CMY-modus: 100–0%
42	Wit 4	000 ⇔ 255	RGBW-modus: 0–100% / CMY-modus: 100–0%
43	Rood 5	000 ⇔ 255	RGBW-modus: 0–100% / CMY-modus: 100–0%
44	Groen 5	000 ⇔ 255	RGBW-modus: 0–100% / CMY-modus: 100–0%
45	Blauw 5	000 ⇔ 255	RGBW-modus: 0–100% / CMY-modus: 100–0%
46	Wit 5	000 ⇔ 255	RGBW-modus: 0–100% / CMY-modus: 100–0%
47	Rood 6	000 ⇔ 255	RGBW-modus: 0–100% / CMY-modus: 100–0%
48	Groen 6	000 ⇔ 255	RGBW-modus: 0–100% / CMY-modus: 100–0%
49	Blauw 6	000 ⇔ 255	RGBW-modus: 0–100% / CMY-modus: 100–0%
50	Wit 6	000 ⇔ 255	RGBW-modus: 0–100% / CMY-modus: 100–0%
51	Rood 7	000 ⇔ 255	RGBW-modus: 0–100% / CMY-modus: 100–0%
52	Groen 7	000 ⇔ 255	RGBW-modus: 0–100% / CMY-modus: 100–0%
53	Blauw 7	000 ⇔ 255	RGBW-modus: 0–100% / CMY-modus: 100–0%
54	Wit 7	000 ⇔ 255	RGBW-modus: 0–100% / CMY-modus: 100–0%
55	Rood 8	000 ⇔ 255	RGBW-modus: 0–100% / CMY-modus: 100–0%
56	Groen 8	000 ⇔ 255	RGBW-modus: 0–100% / CMY-modus: 100–0%
57	Blauw 8	000 ⇔ 255	RGBW-modus: 0–100% / CMY-modus: 100–0%

Kanaal	Functie	Waarde	Percentage/Instelling
58	Wit 8	000 ⇔ 255	RGBW-modus: 0–100% / CMY-modus: 100–0%
59	Rood 9	000 ⇔ 255	RGBW-modus: 0–100% / CMY-modus: 100–0%
60	Groen 9	000 ⇔ 255	RGBW-modus: 0–100% / CMY-modus: 100–0%
61	Blauw 9	000 ⇔ 255	RGBW-modus: 0–100% / CMY-modus: 100–0%
62	Wit 9	000 ⇔ 255	RGBW-modus: 0–100% / CMY-modus: 100–0%
63	Rood 10	000 ⇔ 255	RGBW-modus: 0–100% / CMY-modus: 100–0%
64	Groen 10	000 ⇔ 255	RGBW-modus: 0–100% / CMY-modus: 100–0%
65	Blauw 10	000 ⇔ 255	RGBW-modus: 0–100% / CMY-modus: 100–0%
66	Wit 10	000 ⇔ 255	RGBW-modus: 0–100% / CMY-modus: 100–0%

NL

"Single Control": "Basic"-modus (26-kanaal)

Kanaal	Functie	Waarde	Percentage/Instelling
1	Zwenken	000 ⇔ 255	0–100%
2	Fijnezwenken	000 ⇔ 255	0–100%
3	Kantelen	000 ⇔ 255	0–100%
4	Fijnekantelen	000 ⇔ 255	0–100%
5	Continue zwenken	000	Geen functie
		001 ⇔ 127	Continue zwenken, snel tot langzaam
		128	Geen functie
		129 ⇔ 255	Omgekeerde continue zwenken, langzaam tot snel
6	Continue kantelen	000	Geen functie
		001 ⇔ 127	Continue kantelen, snel tot langzaam
		128	Geen functie
		129 ⇔ 255	Omgekeerde continue kantelen, langzaam tot snel
7	Zwenken/Kantelensnelheid	000 ⇔ 255	Snel tot langzaam
8	CTC	000	Geen functie
		001 ⇔ 255	Kleurtemperatuur, 2800–10000 K
9	Ring kleur	000	Geen functie
		001 ⇔ 002	2700K R = 156 G = 118 B = 0 W = 63
		003 ⇔ 004	3200K R = 156 G = 141 B = 5 W = 89
		005 ⇔ 006	4200K R = 156 G = 141 B = 14 W = 255
		007 ⇔ 008	5600K R = 156 G = 207 B = 54 W = 255
		009 ⇔ 010	8000K R = 130 G = 255 B = 96 W = 255
		011	Blauw R = 0 G = 0 B = 255 W = 0
		012 ⇔ 048	+ groen R = 0 G = 0–255 B = 255 W = 0
		049	Cyaan R = 0 G = 255 B = 255 W = 0
		050 ⇔ 086	- blauw R = 0 G = 255 B = 255–0 W = 0
		087	Groen R = 0 G = 255 B = 0 W = 0
		088 ⇔ 124	+ rood R = 0–255 G = 255 B = 0 W = 0
		125	Geel R = 255 G = 255 B = 0 W = 0
		126 ⇔ 162	- groen R = 255 G = 255–0 B = 0 W = 0
		163	Rood R = 255 G = 0 B = 0 W = 0
		164 ⇔ 200	+ blauw R = 255 G = 0 B = 0–255 W = 0
		201	Magenta R = 255 G = 0 B = 255 W = 0
		202 ⇔ 238	- rood R = 255–0 G = 0 B = 255 W = 0
		239	Blauw R = 0 G = 0 B = 255 W = 0
		240 ⇔ 247	Kleurverandering, snel tot langzaam
248 ⇔ 255	Kleursprong, snel tot langzaam		

Kanaal	Functie	Waarde	Percentage/Instelling				
10	Straalingskleur	000	Geen functie				
		001 ⇔ 002	2700K	R = 156	G = 118	B = 0	W = 63
		003 ⇔ 004	3200K	R = 156	G = 141	B = 5	W = 89
		005 ⇔ 006	4200K	R = 156	G = 141	B = 14	W = 255
		007 ⇔ 008	5600K	R = 156	G = 207	B = 54	W = 255
		009 ⇔ 010	8000K	R = 130	G = 255	B = 96	W = 255
		011	Blauw	R = 0	G = 0	B = 255	W = 0
		012 ⇔ 048	+ groen	R = 0	G = 0-255	B = 255	W = 0
		049	Cyaan	R = 0	G = 255	B = 255	W = 0
		050 ⇔ 086	- blauw	R = 0	G = 255	B = 255-0	W = 0
		087	Groen	R = 0	G = 255	B = 0	W = 0
		088 ⇔ 124	+ rood	R = 0-255	G = 255	B = 0	W = 0
		125	Geel	R = 255	G = 255	B = 0	W = 0
		126 ⇔ 162	- groen	R = 255	G = 255-0	B = 0	W = 0
		163	Rood	R = 255	G = 0	B = 0	W = 0
		164 ⇔ 200	+ blauw	R = 255	G = 0	B = 0-255	W = 0
		201	Magenta	R = 255	G = 0	B = 255	W = 0
		202 ⇔ 238	- rood	R = 255-0	G = 0	B = 255	W = 0
		239	Blauw	R = 0	G = 0	B = 255	W = 0
		240 ⇔ 247	Kleurverandering, snel tot langzaam				
248 ⇔ 255	Kleursprong, snel tot langzaam						
11	Gobo	000	Geen functie				
		001 ⇔ 255	Gobos (geïndexeerd)				
12	LED Macro / Automatisch programma	000 ⇔ 015	Geen functie				
		016 ⇔ 135	LED macro's				
		136 ⇔ 255	Automatische programma's				
13	LED Macro / Automatisch programmasnelheid	000 ⇔ 127	Kleurwijziging met de klok mee, snel tot langzaam				
		128	Bevriezen				
		129 ⇔ 255	Kleurwijziging tegen de klok in, langzaam tot snel				
14	LED ingebouwde vertraging	000 ⇔ 255	Snel tot langzaam				
15	Achtergrondkleur	000	Geen functie				
		001 ⇔ 002	2700K	R = 156	G = 118	B = 0	W = 63
		003 ⇔ 004	3200K	R = 156	G = 141	B = 5	W = 89
		005 ⇔ 006	4200K	R = 156	G = 141	B = 14	W = 255
		007 ⇔ 008	5600K	R = 156	G = 207	B = 54	W = 255
		009 ⇔ 010	8000K	R = 130	G = 255	B = 96	W = 255
		011	Blauw	R = 0	G = 0	B = 255	W = 0
		012 ⇔ 048	+ groen	R = 0	G = 0-255	B = 255	W = 0
		049	Cyaan	R = 0	G = 255	B = 255	W = 0
		050 ⇔ 086	- blauw	R = 0	G = 255	B = 255-0	W = 0
		087	Groen	R = 0	G = 255	B = 0	W = 0
		088 ⇔ 124	+ rood	R = 0-255	G = 255	B = 0	W = 0
		125	Geel	R = 255	G = 255	B = 0	W = 0
		126 ⇔ 162	- groen	R = 255	G = 255-0	B = 0	W = 0
		163	Rood	R = 255	G = 0	B = 0	W = 0
		164 ⇔ 200	+ blauw	R = 255	G = 0	B = 0-255	W = 0
		201	Magenta	R = 255	G = 0	B = 255	W = 0
		202 ⇔ 238	- rood	R = 255-0	G = 0	B = 255	W = 0
		239	Blauw	R = 0	G = 0	B = 255	W = 0
		240 ⇔ 247	Kleurverandering, snel tot langzaam				
248 ⇔ 255	Kleursprong, snel tot langzaam						
16	Achtergronddimmer	000 ⇔ 255	0-100%				
17	Ringdimmer	000 ⇔ 255	0-100%				
18	Straalingsdimmer	000 ⇔ 255	0-100%				

Kanaal	Functie	Waarde	Percentage/Instelling
19	Ringsluiters	000 ⇔ 019	Uit
		020 ⇔ 024	Aan
		025 ⇔ 069	Stroboscoop, snel tot langzaam
		070 ⇔ 089	Stroboscoop 100–0%, snel tot langzaam
		090 ⇔ 109	Stroboscoop 0–100%, snel tot langzaam
		110 ⇔ 129	Willekeurigestroboscoop, snel tot langzaam
		130 ⇔ 149	Willekeurigestroboscoop 100–0%, snel tot langzaam
		150 ⇔ 169	Willekeurigestroboscoop 0–100%, snel tot langzaam
		170 ⇔ 189	Pulsstroboscoop, snel tot langzaam
		190 ⇔ 209	Willekeurigepulsstroboscoop, snel tot langzaam
		210 ⇔ 229	Stroboscoop 0–100–0%, snel tot langzaam
		230 ⇔ 244	Willekeurigepulsstroboscoop, snel tot langzaam
		245 ⇔ 255	Aan
20	Straalingsluiters	000 ⇔ 019	Uit
		020 ⇔ 024	Aan
		025 ⇔ 069	Stroboscoop, snel tot langzaam
		070 ⇔ 089	Stroboscoop 100–0%, snel tot langzaam
		090 ⇔ 109	Stroboscoop 0–100%, snel tot langzaam
		110 ⇔ 129	Willekeurigestroboscoop, snel tot langzaam
		130 ⇔ 149	Willekeurigestroboscoop 100–0%, snel tot langzaam
		150 ⇔ 169	Willekeurigestroboscoop 0–100%, snel tot langzaam
		170 ⇔ 189	Pulsstroboscoop, snel tot langzaam
		190 ⇔ 209	Willekeurigepulsstroboscoop, snel tot langzaam
		210 ⇔ 229	Stroboscoop 0–100–0%, snel tot langzaam
		230 ⇔ 244	Willekeurigepulsstroboscoop, snel tot langzaam
		245 ⇔ 255	Aan
21	Zoom	000 ⇔ 255	Breed tot nauw
22	Regeling	000 ⇔ 009	Geen functie
		010 ⇔ 014	Zwenk-/kantelverduistering
		015 ⇔ 019	Gereserveerd voor toekomstig gebruik
		020 ⇔ 024	RGBW-kleurenmengmodus (additief)
		025 ⇔ 029	CMY-kleurenmengmodus (subtractief)
		030 ⇔ 049	Gereserveerd voor toekomstig gebruik
		050 ⇔ 054	Zwenk-reset
		055 ⇔ 059	Kantel-reset
		060 ⇔ 064	Zoom-reset
		065 ⇔ 069	Gereserveerd voor toekomstig gebruik
		070 ⇔ 074	Alles-reset
		075 ⇔ 109	Gereserveerd voor toekomstig gebruik
		110 ⇔ 114	Zwenk-/kantelsnelheid snel
		115 ⇔ 119	Zwenk-/kantelsnelheid langzaam
		120 ⇔ 124	Ventilatormodus langzaam
		125 ⇔ 129	Ventilatormodus volledig
		130 ⇔ 134	Ventilatormodus auto
		135 ⇔ 139	Dimmodus snel
140 ⇔ 144	Dimmodus langzaam		
145 ⇔ 255	Gereserveerd voor toekomstig gebruik		
23	Hoofd rood	000 ⇔ 255	RGBW-modus: 0–100% / CMY-modus: 100–0%
24	Hoofd groen	000 ⇔ 255	RGBW-modus: 0–100% / CMY-modus: 100–0%
25	Hoofd blauw	000 ⇔ 255	RGBW-modus: 0–100% / CMY-modus: 100–0%
26	Hoofd wit	000 ⇔ 255	RGBW-modus: 0–100% / CMY-modus: 100–0%

“Dual Control”-waarden (Movement)
“Dual Control”: “Advanced Movement”-modus (41Ch)

Kanaal	Functie	Waarde	Percentage/Instelling
1	Zwenken	000 ⇔ 255	0–100%
2	Fijnezwenken	000 ⇔ 255	0–100%
3	Kantelen	000 ⇔ 255	0–100%
4	Fijnekantelen	000 ⇔ 255	0–100%
5	Continue zwenken	000	Geen functie
		001 ⇔ 127	Continue zwenken, snel tot langzaam
		128	Geen functie
		129 ⇔ 255	Omgekeerde continue zwenken, langzaam tot snel
6	Continue kantelen	000	Geen functie
		001 ⇔ 127	Continue kantelen, snel tot langzaam
		128	Geen functie
		129 ⇔ 255	Omgekeerde continue kantelen, langzaam tot snel
7	Zwenken/Kantelensnelheid	000 ⇔ 255	Snel tot langzaam
8	CTC	000	Geen functie
		001 ⇔ 255	Kleurtemperatuur, 2800–10000 K
9	Ring kleur	000	Geen functie
		001 ⇔ 002	2700K R = 156 G = 118 B = 0 W = 63
		003 ⇔ 004	3200K R = 156 G = 141 B = 5 W = 89
		005 ⇔ 006	4200K R = 156 G = 141 B = 14 W = 255
		007 ⇔ 008	5600K R = 156 G = 207 B = 54 W = 255
		009 ⇔ 010	8000K R = 130 G = 255 B = 96 W = 255
		011	Blauw R = 0 G = 0 B = 255 W = 0
		012 ⇔ 048	+ groen R = 0 G = 0–255 B = 255 W = 0
		049	Cyaan R = 0 G = 255 B = 255 W = 0
		050 ⇔ 086	- blauw R = 0 G = 255 B = 255–0 W = 0
		087	Groen R = 0 G = 255 B = 0 W = 0
		088 ⇔ 124	+ rood R = 0–255 G = 255 B = 0 W = 0
		125	Geel R = 255 G = 255 B = 0 W = 0
		126 ⇔ 162	- groen R = 255 G = 255–0 B = 0 W = 0
		163	Rood R = 255 G = 0 B = 0 W = 0
		164 ⇔ 200	+ blauw R = 255 G = 0 B = 0–255 W = 0
		201	Magenta R = 255 G = 0 B = 255 W = 0
		202 ⇔ 238	- rood R = 255–0 G = 0 B = 255 W = 0
		239	Blauw R = 0 G = 0 B = 255 W = 0
		240 ⇔ 247	Kleurverandering, snel tot langzaam
248 ⇔ 255	Kleursprong, snel tot langzaam		

Kanaal	Functie	Waarde	Percentage/Instelling				
10	Straalingskleur	000	Geen functie				
		001 ⇔ 002	2700K	R = 156	G = 118	B = 0	W = 63
		003 ⇔ 004	3200K	R = 156	G = 141	B = 5	W = 89
		005 ⇔ 006	4200K	R = 156	G = 141	B = 14	W = 255
		007 ⇔ 008	5600K	R = 156	G = 207	B = 54	W = 255
		009 ⇔ 010	8000K	R = 130	G = 255	B = 96	W = 255
		011	Blauw	R = 0	G = 0	B = 255	W = 0
		012 ⇔ 048	+ groen	R = 0	G = 0–255	B = 255	W = 0
		049	Cyaan	R = 0	G = 255	B = 255	W = 0
		050 ⇔ 086	- blauw	R = 0	G = 255	B = 255–0	W = 0
		087	Groen	R = 0	G = 255	B = 0	W = 0
		088 ⇔ 124	+ rood	R = 0–255	G = 255	B = 0	W = 0
		125	Geel	R = 255	G = 255	B = 0	W = 0
		126 ⇔ 162	- groen	R = 255	G = 255–0	B = 0	W = 0
		163	Rood	R = 255	G = 0	B = 0	W = 0
		164 ⇔ 200	+ blauw	R = 255	G = 0	B = 0–255	W = 0
		201	Magenta	R = 255	G = 0	B = 255	W = 0
		202 ⇔ 238	- rood	R = 255–0	G = 0	B = 255	W = 0
		239	Blauw	R = 0	G = 0	B = 255	W = 0
		240 ⇔ 247	Kleurverandering, snel tot langzaam				
248 ⇔ 255	Kleursprong, snel tot langzaam						
11	Gobo	000	Geen functie				
		001 ⇔ 255	Gobos (geïndexeerd)				
12	LED Macro / Automatisch programma	000 ⇔ 015	Geen functie				
		016 ⇔ 135	LED macro's				
		136 ⇔ 255	Automatische programma's				
13	LED Macro / Automatisch programmasnelheid	000 ⇔ 127	Kleurwijziging met de klok mee, snel tot langzaam				
		128	Bevriezen				
		129 ⇔ 255	Kleurwijziging tegen de klok in, langzaam tot snel				
14	LED ingebouwde vertraging	000 ⇔ 255	Snel tot langzaam				
15	Achtergrondkleur	000	Geen functie				
		001 ⇔ 002	2700K	R = 156	G = 118	B = 0	W = 63
		003 ⇔ 004	3200K	R = 156	G = 141	B = 5	W = 89
		005 ⇔ 006	4200K	R = 156	G = 141	B = 14	W = 255
		007 ⇔ 008	5600K	R = 156	G = 207	B = 54	W = 255
		009 ⇔ 010	8000K	R = 130	G = 255	B = 96	W = 255
		011	Blauw	R = 0	G = 0	B = 255	W = 0
		012 ⇔ 048	+ groen	R = 0	G = 0–255	B = 255	W = 0
		049	Cyaan	R = 0	G = 255	B = 255	W = 0
		050 ⇔ 086	- blauw	R = 0	G = 255	B = 255–0	W = 0
		087	Groen	R = 0	G = 255	B = 0	W = 0
		088 ⇔ 124	+ rood	R = 0–255	G = 255	B = 0	W = 0
		125	Geel	R = 255	G = 255	B = 0	W = 0
		126 ⇔ 162	- groen	R = 255	G = 255–0	B = 0	W = 0
		163	Rood	R = 255	G = 0	B = 0	W = 0
		164 ⇔ 200	+ blauw	R = 255	G = 0	B = 0–255	W = 0
		201	Magenta	R = 255	G = 0	B = 255	W = 0
		202 ⇔ 238	- rood	R = 255–0	G = 0	B = 255	W = 0
		239	Blauw	R = 0	G = 0	B = 255	W = 0
		240 ⇔ 247	Kleurverandering, snel tot langzaam				
248 ⇔ 255	Kleursprong, snel tot langzaam						
16	Achtergronddimmer	000 ⇔ 255	0–100%				
17	Fijneachtergronddimmer	000 ⇔ 255	0–100%				
18	Ringdimmer	000 ⇔ 255	0–100%				
19	Fijneringdimmer	000 ⇔ 255	0–100%				

Kanaal	Functie	Waarde	Percentage/Instelling
20	Straalingsdimmer	000 ⇔ 255	0–100%
21	Fijnstraalingsdimmer	000 ⇔ 255	0–100%
22	Ringsluit	000 ⇔ 019	Uit
		020 ⇔ 024	Aan
		025 ⇔ 069	Stroboscoop, snel tot langzaam
		070 ⇔ 089	Stroboscoop 100–0%, snel tot langzaam
		090 ⇔ 109	Stroboscoop 0–100%, snel tot langzaam
		110 ⇔ 129	Willekeurigestroboscoop, snel tot langzaam
		130 ⇔ 149	Willekeurigestroboscoop 100–0%, snel tot langzaam
		150 ⇔ 169	Willekeurigestroboscoop 0–100%, snel tot langzaam
		170 ⇔ 189	Pulsstroboscoop, snel tot langzaam
		190 ⇔ 209	Willekeurigepulsstroboscoop, snel tot langzaam
		210 ⇔ 229	Stroboscoop 0–100–0%, snel tot langzaam
		230 ⇔ 244	Willekeurigepulsstroboscoop, snel tot langzaam
245 ⇔ 255	Aan		
23	Straalingsluit	000 ⇔ 019	Uit
		020 ⇔ 024	Aan
		025 ⇔ 069	Stroboscoop, snel tot langzaam
		070 ⇔ 089	Stroboscoop 100–0%, snel tot langzaam
		090 ⇔ 109	Stroboscoop 0–100%, snel tot langzaam
		110 ⇔ 129	Willekeurigestroboscoop, snel tot langzaam
		130 ⇔ 149	Willekeurigestroboscoop 100–0%, snel tot langzaam
		150 ⇔ 169	Willekeurigestroboscoop 0–100%, snel tot langzaam
		170 ⇔ 189	Pulsstroboscoop, snel tot langzaam
		190 ⇔ 209	Willekeurigepulsstroboscoop, snel tot langzaam
		210 ⇔ 229	Stroboscoop 0–100–0%, snel tot langzaam
		230 ⇔ 244	Willekeurigepulsstroboscoop, snel tot langzaam
245 ⇔ 255	Aan		
24	Zoom	000 ⇔ 255	Breed tot nauw
25	Regeling	000 ⇔ 009	Geen functie
		010 ⇔ 014	Zwenk-/kantelverduistering
		015 ⇔ 019	Gereserveerd voor toekomstig gebruik
		020 ⇔ 024	RGBW-kleurenmengmodus (additief)
		025 ⇔ 029	CMY-kleurenmengmodus (subtractief)
		030 ⇔ 049	Gereserveerd voor toekomstig gebruik
		050 ⇔ 054	Zwenk-reset
		055 ⇔ 059	Kantel-reset
		060 ⇔ 064	Zoom-reset
		065 ⇔ 069	Gereserveerd voor toekomstig gebruik
		070 ⇔ 074	Alles-reset
		075 ⇔ 109	Gereserveerd voor toekomstig gebruik
		110 ⇔ 114	Zwenk-/kantelsnelheid snel
		115 ⇔ 119	Zwenk-/kantelsnelheid langzaam
		120 ⇔ 124	Ventilatormodus langzaam
		125 ⇔ 129	Ventilatormodus volledig
		130 ⇔ 134	Ventilatormodus auto
135 ⇔ 139	Dimmodus snel		
140 ⇔ 144	Dimmodus langzaam		
145 ⇔ 255	Gereserveerd voor toekomstig gebruik		
26	Ringrood	000 ⇔ 255	RGBW-modus: 0–100% / CMY-modus: 100–0%
27	Fijneringrood	000 ⇔ 255	RGBW-modus: 0–100% / CMY-modus: 100–0%
28	Straalrood	000 ⇔ 255	RGBW-modus: 0–100% / CMY-modus: 100–0%
29	Fijnstraalrood	000 ⇔ 255	RGBW-modus: 0–100% / CMY-modus: 100–0%
30	Ringgroen	000 ⇔ 255	RGBW-modus: 0–100% / CMY-modus: 100–0%
31	Fijneringgroen	000 ⇔ 255	RGBW-modus: 0–100% / CMY-modus: 100–0%

Kanaal	Functie	Waarde	Percentage/Instelling
32	Straalgroen	000 ⇔ 255	RGBW-modus: 0–100% / CMY-modus: 100–0%
33	Fijnestraalgroen	000 ⇔ 255	RGBW-modus: 0–100% / CMY-modus: 100–0%
34	Ringblauw	000 ⇔ 255	RGBW-modus: 0–100% / CMY-modus: 100–0%
35	Fijneringblauw	000 ⇔ 255	RGBW-modus: 0–100% / CMY-modus: 100–0%
36	Straalblauw	000 ⇔ 255	RGBW-modus: 0–100% / CMY-modus: 100–0%
37	Fijnestraalblauw	000 ⇔ 255	RGBW-modus: 0–100% / CMY-modus: 100–0%
38	Ringwit	000 ⇔ 255	RGBW-modus: 0–100% / CMY-modus: 100–0%
39	Fijneringwit	000 ⇔ 255	RGBW-modus: 0–100% / CMY-modus: 100–0%
40	Straalwit	000 ⇔ 255	RGBW-modus: 0–100% / CMY-modus: 100–0%
41	Fijnestraalwit	000 ⇔ 255	RGBW-modus: 0–100% / CMY-modus: 100–0%

“Dual Control”: “Standard Movement”-modus (30Ch)

Kanaal	Functie	Waarde	Percentage/Instelling
1	Zwenken	000 ⇔ 255	0–100%
2	Fijnezwenken	000 ⇔ 255	0–100%
3	Kantelen	000 ⇔ 255	0–100%
4	Fijnekantelen	000 ⇔ 255	0–100%
5	Continue zwenken	000	Geen functie
		001 ⇔ 127	Continue zwenken, snel tot langzaam
		128	Geen functie
		129 ⇔ 255	Omgekeerde continue zwenken, langzaam tot snel
6	Continue kantelen	000	Geen functie
		001 ⇔ 127	Continue kantelen, snel tot langzaam
		128	Geen functie
		129 ⇔ 255	Omgekeerde continue kantelen, langzaam tot snel
7	Zwenken/Kantelensnelheid	000 ⇔ 255	Snel tot langzaam
8	CTC	000	Geen functie
		001 ⇔ 255	Kleurtemperatuur, 2800–10000 K
9	Ring kleur	000	Geen functie
		001 ⇔ 002	2700K R = 156 G = 118 B = 0 W = 63
		003 ⇔ 004	3200K R = 156 G = 141 B = 5 W = 89
		005 ⇔ 006	4200K R = 156 G = 141 B = 14 W = 255
		007 ⇔ 008	5600K R = 156 G = 207 B = 54 W = 255
		009 ⇔ 010	8000K R = 130 G = 255 B = 96 W = 255
		011	Blauw R = 0 G = 0 B = 255 W = 0
		012 ⇔ 048	+ groen R = 0 G = 0–255 B = 255 W = 0
		049	Cyaan R = 0 G = 255 B = 255 W = 0
		050 ⇔ 086	- blauw R = 0 G = 255 B = 255–0 W = 0
		087	Groen R = 0 G = 255 B = 0 W = 0
		088 ⇔ 124	+ rood R = 0–255 G = 255 B = 0 W = 0
		125	Geel R = 255 G = 255 B = 0 W = 0
		126 ⇔ 162	- groen R = 255 G = 255–0 B = 0 W = 0
		163	Rood R = 255 G = 0 B = 0 W = 0
		164 ⇔ 200	+ blauw R = 255 G = 0 B = 0–255 W = 0
		201	Magenta R = 255 G = 0 B = 255 W = 0
		202 ⇔ 238	- rood R = 255–0 G = 0 B = 255 W = 0
		239	Blauw R = 0 G = 0 B = 255 W = 0
		240 ⇔ 247	Kleurverandering, snel tot langzaam
248 ⇔ 255	Kleursprong, snel tot langzaam		

Kanaal	Functie	Waarde	Percentage/Instelling				
10	Straalingskleur	000	Geen functie				
		001 ⇔ 002	2700K	R = 156	G = 118	B = 0	W = 63
		003 ⇔ 004	3200K	R = 156	G = 141	B = 5	W = 89
		005 ⇔ 006	4200K	R = 156	G = 141	B = 14	W = 255
		007 ⇔ 008	5600K	R = 156	G = 207	B = 54	W = 255
		009 ⇔ 010	8000K	R = 130	G = 255	B = 96	W = 255
		011	Blauw	R = 0	G = 0	B = 255	W = 0
		012 ⇔ 048	+ groen	R = 0	G = 0–255	B = 255	W = 0
		049	Cyaan	R = 0	G = 255	B = 255	W = 0
		050 ⇔ 086	- blauw	R = 0	G = 255	B = 255–0	W = 0
		087	Groen	R = 0	G = 255	B = 0	W = 0
		088 ⇔ 124	+ rood	R = 0–255	G = 255	B = 0	W = 0
		125	Geel	R = 255	G = 255	B = 0	W = 0
		126 ⇔ 162	- groen	R = 255	G = 255–0	B = 0	W = 0
		163	Rood	R = 255	G = 0	B = 0	W = 0
		164 ⇔ 200	+ blauw	R = 255	G = 0	B = 0–255	W = 0
		201	Magenta	R = 255	G = 0	B = 255	W = 0
		202 ⇔ 238	- rood	R = 255–0	G = 0	B = 255	W = 0
		239	Blauw	R = 0	G = 0	B = 255	W = 0
		240 ⇔ 247	Kleurverandering, snel tot langzaam				
248 ⇔ 255	Kleursprong, snel tot langzaam						
11	Gobo	000	Geen functie				
		001 ⇔ 255	Gobos (geïndexeerd)				
12	LED Macro / Automatisch programma	000 ⇔ 015	Geen functie				
		016 ⇔ 135	LED macro's				
		136 ⇔ 255	Automatische programma's				
13	LED Macro / Automatisch programmasnelheid	000 ⇔ 127	Kleurwijziging met de klok mee, snel tot langzaam				
		128	Bevriezen				
		129 ⇔ 255	Kleurwijziging tegen de klok in, langzaam tot snel				
14	LED ingebouwde vertraging	000 ⇔ 255	Snel tot langzaam				
15	Achtergrondkleur	000	Geen functie				
		001 ⇔ 002	2700K	R = 156	G = 118	B = 0	W = 63
		003 ⇔ 004	3200K	R = 156	G = 141	B = 5	W = 89
		005 ⇔ 006	4200K	R = 156	G = 141	B = 14	W = 255
		007 ⇔ 008	5600K	R = 156	G = 207	B = 54	W = 255
		009 ⇔ 010	8000K	R = 130	G = 255	B = 96	W = 255
		011	Blauw	R = 0	G = 0	B = 255	W = 0
		012 ⇔ 048	+ groen	R = 0	G = 0–255	B = 255	W = 0
		049	Cyaan	R = 0	G = 255	B = 255	W = 0
		050 ⇔ 086	- blauw	R = 0	G = 255	B = 255–0	W = 0
		087	Groen	R = 0	G = 255	B = 0	W = 0
		088 ⇔ 124	+ rood	R = 0–255	G = 255	B = 0	W = 0
		125	Geel	R = 255	G = 255	B = 0	W = 0
		126 ⇔ 162	- groen	R = 255	G = 255–0	B = 0	W = 0
		163	Rood	R = 255	G = 0	B = 0	W = 0
		164 ⇔ 200	+ blauw	R = 255	G = 0	B = 0–255	W = 0
		201	Magenta	R = 255	G = 0	B = 255	W = 0
		202 ⇔ 238	- rood	R = 255–0	G = 0	B = 255	W = 0
		239	Blauw	R = 0	G = 0	B = 255	W = 0
		240 ⇔ 247	Kleurverandering, snel tot langzaam				
248 ⇔ 255	Kleursprong, snel tot langzaam						
16	Achtergronddimmer	000 ⇔ 255	0–100%				
17	Ringdimmer	000 ⇔ 255	0–100%				
18	Straalingsdimmer	000 ⇔ 255	0–100%				

Kanaal	Functie	Waarde	Percentage/Instelling
19	Ringsluiter	000 ⇔ 019	Uit
		020 ⇔ 024	Aan
		025 ⇔ 069	Stroboscoop, snel tot langzaam
		070 ⇔ 089	Stroboscoop 100–0%, snel tot langzaam
		090 ⇔ 109	Stroboscoop 0–100%, snel tot langzaam
		110 ⇔ 129	Willekeurigestroboscoop, snel tot langzaam
		130 ⇔ 149	Willekeurigestroboscoop 100–0%, snel tot langzaam
		150 ⇔ 169	Willekeurigestroboscoop 0–100%, snel tot langzaam
		170 ⇔ 189	Pulsstroboscoop, snel tot langzaam
		190 ⇔ 209	Willekeurigepulsstroboscoop, snel tot langzaam
		210 ⇔ 229	Stroboscoop 0–100–0%, snel tot langzaam
		230 ⇔ 244	Willekeurigepulsstroboscoop, snel tot langzaam
		245 ⇔ 255	Aan
20	Straalingsluiter	000 ⇔ 019	Uit
		020 ⇔ 024	Aan
		025 ⇔ 069	Stroboscoop, snel tot langzaam
		070 ⇔ 089	Stroboscoop 100–0%, snel tot langzaam
		090 ⇔ 109	Stroboscoop 0–100%, snel tot langzaam
		110 ⇔ 129	Willekeurigestroboscoop, snel tot langzaam
		130 ⇔ 149	Willekeurigestroboscoop 100–0%, snel tot langzaam
		150 ⇔ 169	Willekeurigestroboscoop 0–100%, snel tot langzaam
		170 ⇔ 189	Pulsstroboscoop, snel tot langzaam
		190 ⇔ 209	Willekeurigepulsstroboscoop, snel tot langzaam
		210 ⇔ 229	Stroboscoop 0–100–0%, snel tot langzaam
		230 ⇔ 244	Willekeurigepulsstroboscoop, snel tot langzaam
		245 ⇔ 255	Aan
21	Zoom	000 ⇔ 255	Breed tot nauw
22	Regeling	000 ⇔ 009	Geen functie
		010 ⇔ 014	Zwenk-/kantelverduistering
		015 ⇔ 019	Gereserveerd voor toekomstig gebruik
		020 ⇔ 024	RGBW-kleurenmengmodus (additief)
		025 ⇔ 029	CMY-kleurenmengmodus (substractief)
		030 ⇔ 049	Gereserveerd voor toekomstig gebruik
		050 ⇔ 054	Zwenk-reset
		055 ⇔ 059	Kantel-reset
		060 ⇔ 064	Zoom-reset
		065 ⇔ 069	Gereserveerd voor toekomstig gebruik
		070 ⇔ 074	Alles-reset
		075 ⇔ 109	Gereserveerd voor toekomstig gebruik
		110 ⇔ 114	Zwenk-/kantelsnelheid snel
		115 ⇔ 119	Zwenk-/kantelsnelheid langzaam
		120 ⇔ 124	Ventilatormodus langzaam
		125 ⇔ 129	Ventilatormodus volledig
		130 ⇔ 134	Ventilatormodus auto
135 ⇔ 139	Dimmodus snel		
140 ⇔ 144	Dimmodus langzaam		
145 ⇔ 255	Gereserveerd voor toekomstig gebruik		
23	Ringrood	000 ⇔ 255	RGBW-modus: 0–100% / CMY-modus: 100–0%
24	Straalrood	000 ⇔ 255	RGBW-modus: 0–100% / CMY-modus: 100–0%
25	Ringgroen	000 ⇔ 255	RGBW-modus: 0–100% / CMY-modus: 100–0%
26	Straalgroen	000 ⇔ 255	RGBW-modus: 0–100% / CMY-modus: 100–0%
27	Ringblauw	000 ⇔ 255	RGBW-modus: 0–100% / CMY-modus: 100–0%
28	Straalblauw	000 ⇔ 255	RGBW-modus: 0–100% / CMY-modus: 100–0%
29	Ringwit	000 ⇔ 255	RGBW-modus: 0–100% / CMY-modus: 100–0%
30	Straalwit	000 ⇔ 255	RGBW-modus: 0–100% / CMY-modus: 100–0%

“Dual Control”: “Basic Movement”-modus (13Ch)

Kanaal	Functie	Waarde	Percentage/Instelling
1	Zwenken	000 ⇔ 255	0–100%
2	Fijnezwenken	000 ⇔ 255	0–100%
3	Kantelen	000 ⇔ 255	0–100%
4	Fijnekantelen	000 ⇔ 255	0–100%
5	Continue zwenken	000	Geen functie
		001 ⇔ 127	Continue zwenken, snel tot langzaam
		128	Geen functie
		129 ⇔ 255	Omgekeerde continue zwenken, langzaam tot snel
6	Continue kantelen	000	Geen functie
		001 ⇔ 127	Continue kantelen, snel tot langzaam
		128	Geen functie
		129 ⇔ 255	Omgekeerde continue kantelen, langzaam tot snel
7	Zwenken/Kantelensnelheid	000 ⇔ 255	Snel tot langzaam
8	Ringdimmer	000 ⇔ 255	0–100%
9	Straalingsdimmer	000 ⇔ 255	0–100%
10	Ringsluiters	000 ⇔ 019	Uit
		020 ⇔ 024	Aan
		025 ⇔ 069	Stroboscoop, snel tot langzaam
		070 ⇔ 089	Stroboscoop 100–0%, snel tot langzaam
		090 ⇔ 109	Stroboscoop 0–100%, snel tot langzaam
		110 ⇔ 129	Willekeurigestroboscoop, snel tot langzaam
		130 ⇔ 149	Willekeurigestroboscoop 100–0%, snel tot langzaam
		150 ⇔ 169	Willekeurigestroboscoop 0–100%, snel tot langzaam
		170 ⇔ 189	Pulsstroboscoop, snel tot langzaam
		190 ⇔ 209	Willekeurigepulsstroboscoop, snel tot langzaam
		210 ⇔ 229	Stroboscoop 0–100–0%, snel tot langzaam
		230 ⇔ 244	Willekeurigepulsstroboscoop, snel tot langzaam
245 ⇔ 255	Aan		
11	Straalingsluiters	000 ⇔ 019	Uit
		020 ⇔ 024	Aan
		025 ⇔ 069	Stroboscoop, snel tot langzaam
		070 ⇔ 089	Stroboscoop 100–0%, snel tot langzaam
		090 ⇔ 109	Stroboscoop 0–100%, snel tot langzaam
		110 ⇔ 129	Willekeurigestroboscoop, snel tot langzaam
		130 ⇔ 149	Willekeurigestroboscoop 100–0%, snel tot langzaam
		150 ⇔ 169	Willekeurigestroboscoop 0–100%, snel tot langzaam
		170 ⇔ 189	Pulsstroboscoop, snel tot langzaam
		190 ⇔ 209	Willekeurigepulsstroboscoop, snel tot langzaam
		210 ⇔ 229	Stroboscoop 0–100–0%, snel tot langzaam
		230 ⇔ 244	Willekeurigepulsstroboscoop, snel tot langzaam
245 ⇔ 255	Aan		
12	Zoom	000 ⇔ 255	Breed tot nauw

Kanaal	Functie	Waarde	Percentage/Instelling
13	Regeling	000 ⇔ 009	Geen functie
		010 ⇔ 014	Zwenk-/kantelverduistering
		015 ⇔ 019	Gereserveerd voor toekomstig gebruik
		020 ⇔ 024	RGBW-kleurenmengmodus (additief)
		025 ⇔ 029	CMY-kleurenmengmodus (substractief)
		030 ⇔ 049	Gereserveerd voor toekomstig gebruik
		050 ⇔ 054	Zwenk-reset
		055 ⇔ 059	Kantel-reset
		060 ⇔ 064	Zoom-reset
		065 ⇔ 069	Gereserveerd voor toekomstig gebruik
		070 ⇔ 074	Alles-reset
		075 ⇔ 109	Gereserveerd voor toekomstig gebruik
		110 ⇔ 114	Zwenk-/kantelsnelheid snel
		115 ⇔ 119	Zwenk-/kantelsnelheid langzaam
		120 ⇔ 124	Ventilatormodus langzaam
		125 ⇔ 129	Ventilatormodus volledig
		130 ⇔ 134	Ventilatormodus auto
		135 ⇔ 139	Dimmodus snel
		140 ⇔ 144	Dimmodus langzaam
		145 ⇔ 255	Gereserveerd voor toekomstig gebruik

“Dual Control”-waarden (Pixels)

“Dual Control”: “Advanced Pixels”-modus (80Ch)

Kanaal	Functie	Waarde	Percentage/Instelling
1	Rood 1	000 ⇔ 255	RGBW-modus: 0–100% / CMY-modus: 100–0%
2	Fijnerood 1	000 ⇔ 255	RGBW-modus: 0–100% / CMY-modus: 100–0%
3	Groen 1	000 ⇔ 255	RGBW-modus: 0–100% / CMY-modus: 100–0%
4	Fijnegroen 1	000 ⇔ 255	RGBW-modus: 0–100% / CMY-modus: 100–0%
5	Blauw 1	000 ⇔ 255	RGBW-modus: 0–100% / CMY-modus: 100–0%
6	Fijneblauw 1	000 ⇔ 255	RGBW-modus: 0–100% / CMY-modus: 100–0%
7	Wit	000 ⇔ 255	RGBW-modus: 0–100% / CMY-modus: 100–0%
8	Fijnewit 1	000 ⇔ 255	RGBW-modus: 0–100% / CMY-modus: 100–0%
9	Rood 2	000 ⇔ 255	RGBW-modus: 0–100% / CMY-modus: 100–0%
10	Fijnerood 2	000 ⇔ 255	RGBW-modus: 0–100% / CMY-modus: 100–0%
11	Groen 2	000 ⇔ 255	RGBW-modus: 0–100% / CMY-modus: 100–0%
12	Fijnegroen 2	000 ⇔ 255	RGBW-modus: 0–100% / CMY-modus: 100–0%
13	Blauw 2	000 ⇔ 255	RGBW-modus: 0–100% / CMY-modus: 100–0%
14	Fijneblauw 2	000 ⇔ 255	RGBW-modus: 0–100% / CMY-modus: 100–0%
15	Wit 2	000 ⇔ 255	RGBW-modus: 0–100% / CMY-modus: 100–0%
16	Fijnewit 2	000 ⇔ 255	RGBW-modus: 0–100% / CMY-modus: 100–0%
17	Rood 3	000 ⇔ 255	RGBW-modus: 0–100% / CMY-modus: 100–0%
18	Fijnerood 3	000 ⇔ 255	RGBW-modus: 0–100% / CMY-modus: 100–0%
19	Groen 3	000 ⇔ 255	RGBW-modus: 0–100% / CMY-modus: 100–0%
20	Fijnegroen 3	000 ⇔ 255	RGBW-modus: 0–100% / CMY-modus: 100–0%
21	Blauw 3	000 ⇔ 255	RGBW-modus: 0–100% / CMY-modus: 100–0%
22	Fijneblauw 3	000 ⇔ 255	RGBW-modus: 0–100% / CMY-modus: 100–0%
23	Wit 3	000 ⇔ 255	RGBW-modus: 0–100% / CMY-modus: 100–0%
24	Fijnewit 3	000 ⇔ 255	RGBW-modus: 0–100% / CMY-modus: 100–0%
25	Rood 4	000 ⇔ 255	RGBW-modus: 0–100% / CMY-modus: 100–0%
26	Fijnerood 4	000 ⇔ 255	RGBW-modus: 0–100% / CMY-modus: 100–0%
27	Groen 4	000 ⇔ 255	RGBW-modus: 0–100% / CMY-modus: 100–0%
28	Fijnegroen 4	000 ⇔ 255	RGBW-modus: 0–100% / CMY-modus: 100–0%
29	Blauw 4	000 ⇔ 255	RGBW-modus: 0–100% / CMY-modus: 100–0%
30	Fijneblauw 4	000 ⇔ 255	RGBW-modus: 0–100% / CMY-modus: 100–0%
31	Wit 4	000 ⇔ 255	RGBW-modus: 0–100% / CMY-modus: 100–0%
32	Fijnewit 4	000 ⇔ 255	RGBW-modus: 0–100% / CMY-modus: 100–0%
33	Rood 5	000 ⇔ 255	RGBW-modus: 0–100% / CMY-modus: 100–0%
34	Fijnerood 5	000 ⇔ 255	RGBW-modus: 0–100% / CMY-modus: 100–0%
35	Groen 5	000 ⇔ 255	RGBW-modus: 0–100% / CMY-modus: 100–0%
36	Fijnegroen 5	000 ⇔ 255	RGBW-modus: 0–100% / CMY-modus: 100–0%
37	Blauw 5	000 ⇔ 255	RGBW-modus: 0–100% / CMY-modus: 100–0%
38	Fijneblauw 5	000 ⇔ 255	RGBW-modus: 0–100% / CMY-modus: 100–0%
39	Wit 5	000 ⇔ 255	RGBW-modus: 0–100% / CMY-modus: 100–0%
40	Fijnewit 5	000 ⇔ 255	RGBW-modus: 0–100% / CMY-modus: 100–0%
41	Rood 6	000 ⇔ 255	RGBW-modus: 0–100% / CMY-modus: 100–0%
42	Fijnerood 6	000 ⇔ 255	RGBW-modus: 0–100% / CMY-modus: 100–0%
43	Groen 6	000 ⇔ 255	RGBW-modus: 0–100% / CMY-modus: 100–0%
44	Fijnegroen 6	000 ⇔ 255	RGBW-modus: 0–100% / CMY-modus: 100–0%
45	Blauw 6	000 ⇔ 255	RGBW-modus: 0–100% / CMY-modus: 100–0%
46	Fijneblauw 6	000 ⇔ 255	RGBW-modus: 0–100% / CMY-modus: 100–0%
47	Wit 6	000 ⇔ 255	RGBW-modus: 0–100% / CMY-modus: 100–0%
48	Fijnewit 6	000 ⇔ 255	RGBW-modus: 0–100% / CMY-modus: 100–0%
49	Rood 7	000 ⇔ 255	RGBW-modus: 0–100% / CMY-modus: 100–0%
50	Fijnerood 7	000 ⇔ 255	RGBW-modus: 0–100% / CMY-modus: 100–0%
51	Groen 7	000 ⇔ 255	RGBW-modus: 0–100% / CMY-modus: 100–0%
52	Fijnegroen 7	000 ⇔ 255	RGBW-modus: 0–100% / CMY-modus: 100–0%
53	Blauw 7	000 ⇔ 255	RGBW-modus: 0–100% / CMY-modus: 100–0%

Kanaal	Functie	Waarde	Percentage/Instelling
54	Fijneblauw 7	000 ⇄ 255	RGBW-modus: 0–100% / CMY-modus: 100–0%
55	Wit 7	000 ⇄ 255	RGBW-modus: 0–100% / CMY-modus: 100–0%
56	Fijnewit 7	000 ⇄ 255	RGBW-modus: 0–100% / CMY-modus: 100–0%
57	Rood 8	000 ⇄ 255	RGBW-modus: 0–100% / CMY-modus: 100–0%
58	Fijnerood 8	000 ⇄ 255	RGBW-modus: 0–100% / CMY-modus: 100–0%
59	Groen 8	000 ⇄ 255	RGBW-modus: 0–100% / CMY-modus: 100–0%
60	Fijnegroen 8	000 ⇄ 255	RGBW-modus: 0–100% / CMY-modus: 100–0%
61	Blauw 8	000 ⇄ 255	RGBW-modus: 0–100% / CMY-modus: 100–0%
62	Fijneblauw 8	000 ⇄ 255	RGBW-modus: 0–100% / CMY-modus: 100–0%
63	Wit 8	000 ⇄ 255	RGBW-modus: 0–100% / CMY-modus: 100–0%
64	Fijnewit 8	000 ⇄ 255	RGBW-modus: 0–100% / CMY-modus: 100–0%
65	Rood 9	000 ⇄ 255	RGBW-modus: 0–100% / CMY-modus: 100–0%
66	Fijnerood 9	000 ⇄ 255	RGBW-modus: 0–100% / CMY-modus: 100–0%
67	Groen 9	000 ⇄ 255	RGBW-modus: 0–100% / CMY-modus: 100–0%
68	Fijnegroen 9	000 ⇄ 255	RGBW-modus: 0–100% / CMY-modus: 100–0%
69	Blauw 9	000 ⇄ 255	RGBW-modus: 0–100% / CMY-modus: 100–0%
70	Fijneblauw 9	000 ⇄ 255	RGBW-modus: 0–100% / CMY-modus: 100–0%
71	Wit 9	000 ⇄ 255	RGBW-modus: 0–100% / CMY-modus: 100–0%
72	Fijnewit 9	000 ⇄ 255	RGBW-modus: 0–100% / CMY-modus: 100–0%
73	Rood 10	000 ⇄ 255	RGBW-modus: 0–100% / CMY-modus: 100–0%
74	Fijnerood 10	000 ⇄ 255	RGBW-modus: 0–100% / CMY-modus: 100–0%
75	Groen 10	000 ⇄ 255	RGBW-modus: 0–100% / CMY-modus: 100–0%
76	Fijnegroen 10	000 ⇄ 255	RGBW-modus: 0–100% / CMY-modus: 100–0%
77	Blauw 10	000 ⇄ 255	RGBW-modus: 0–100% / CMY-modus: 100–0%
78	Fijneblauw 10	000 ⇄ 255	RGBW-modus: 0–100% / CMY-modus: 100–0%
79	Wit 10	000 ⇄ 255	RGBW-modus: 0–100% / CMY-modus: 100–0%
80	Fijnewit 10	000 ⇄ 255	RGBW-modus: 0–100% / CMY-modus: 100–0%

“Dual Control”: “Standard Pixels”-modus (40Ch)

Kanaal	Functie	Waarde	Percentage/Instelling
1	Rood 1	000 ⇄ 255	RGBW-modus: 0–100% / CMY-modus: 100–0%
2	Groen 1	000 ⇄ 255	RGBW-modus: 0–100% / CMY-modus: 100–0%
3	Blauw 1	000 ⇄ 255	RGBW-modus: 0–100% / CMY-modus: 100–0%
4	Wit 1	000 ⇄ 255	RGBW-modus: 0–100% / CMY-modus: 100–0%
5	Rood 2	000 ⇄ 255	RGBW-modus: 0–100% / CMY-modus: 100–0%
6	Groen 2	000 ⇄ 255	RGBW-modus: 0–100% / CMY-modus: 100–0%
7	Blauw 2	000 ⇄ 255	RGBW-modus: 0–100% / CMY-modus: 100–0%
8	Wit 2	000 ⇄ 255	RGBW-modus: 0–100% / CMY-modus: 100–0%
9	Rood 3	000 ⇄ 255	RGBW-modus: 0–100% / CMY-modus: 100–0%
10	Groen 3	000 ⇄ 255	RGBW-modus: 0–100% / CMY-modus: 100–0%
11	Blauw 3	000 ⇄ 255	RGBW-modus: 0–100% / CMY-modus: 100–0%
12	Wit 3	000 ⇄ 255	RGBW-modus: 0–100% / CMY-modus: 100–0%
13	Rood 4	000 ⇄ 255	RGBW-modus: 0–100% / CMY-modus: 100–0%
14	Groen 4	000 ⇄ 255	RGBW-modus: 0–100% / CMY-modus: 100–0%
15	Blauw 4	000 ⇄ 255	RGBW-modus: 0–100% / CMY-modus: 100–0%
16	Wit 4	000 ⇄ 255	RGBW-modus: 0–100% / CMY-modus: 100–0%
17	Rood 5	000 ⇄ 255	RGBW-modus: 0–100% / CMY-modus: 100–0%
18	Groen 5	000 ⇄ 255	RGBW-modus: 0–100% / CMY-modus: 100–0%
19	Blauw 5	000 ⇄ 255	RGBW-modus: 0–100% / CMY-modus: 100–0%
20	Wit 5	000 ⇄ 255	RGBW-modus: 0–100% / CMY-modus: 100–0%
21	Rood 6	000 ⇄ 255	RGBW-modus: 0–100% / CMY-modus: 100–0%
22	Groen 6	000 ⇄ 255	RGBW-modus: 0–100% / CMY-modus: 100–0%
23	Blauw 6	000 ⇄ 255	RGBW-modus: 0–100% / CMY-modus: 100–0%
24	Wit 6	000 ⇄ 255	RGBW-modus: 0–100% / CMY-modus: 100–0%
25	Rood 7	000 ⇄ 255	RGBW-modus: 0–100% / CMY-modus: 100–0%
26	Groen 7	000 ⇄ 255	RGBW-modus: 0–100% / CMY-modus: 100–0%
27	Blauw 7	000 ⇄ 255	RGBW-modus: 0–100% / CMY-modus: 100–0%
28	Wit 7	000 ⇄ 255	RGBW-modus: 0–100% / CMY-modus: 100–0%
29	Rood 8	000 ⇄ 255	RGBW-modus: 0–100% / CMY-modus: 100–0%
30	Groen 8	000 ⇄ 255	RGBW-modus: 0–100% / CMY-modus: 100–0%
31	Blauw 8	000 ⇄ 255	RGBW-modus: 0–100% / CMY-modus: 100–0%
32	Wit 8	000 ⇄ 255	RGBW-modus: 0–100% / CMY-modus: 100–0%
33	Rood 9	000 ⇄ 255	RGBW-modus: 0–100% / CMY-modus: 100–0%
34	Groen 9	000 ⇄ 255	RGBW-modus: 0–100% / CMY-modus: 100–0%
35	Blauw 9	000 ⇄ 255	RGBW-modus: 0–100% / CMY-modus: 100–0%
36	Wit 9	000 ⇄ 255	RGBW-modus: 0–100% / CMY-modus: 100–0%
37	Rood 10	000 ⇄ 255	RGBW-modus: 0–100% / CMY-modus: 100–0%
38	Groen 10	000 ⇄ 255	RGBW-modus: 0–100% / CMY-modus: 100–0%
39	Blauw 10	000 ⇄ 255	RGBW-modus: 0–100% / CMY-modus: 100–0%
40	Wit 10	000 ⇄ 255	RGBW-modus: 0–100% / CMY-modus: 100–0%

“Dual Control”: “Basic Pixels”-modus (30Ch)

Kanaal	Functie	Waarde	Percentage/Instelling
1	Rood 1	000 ⇔ 255	RGBW-modus: 0–100% / CMY-modus: 100–0%
2	Groen 1	000 ⇔ 255	RGBW-modus: 0–100% / CMY-modus: 100–0%
3	Blauw 1	000 ⇔ 255	RGBW-modus: 0–100% / CMY-modus: 100–0%
4	Rood 2	000 ⇔ 255	RGBW-modus: 0–100% / CMY-modus: 100–0%
5	Groen 2	000 ⇔ 255	RGBW-modus: 0–100% / CMY-modus: 100–0%
6	Blauw 2	000 ⇔ 255	RGBW-modus: 0–100% / CMY-modus: 100–0%
7	Rood 3	000 ⇔ 255	RGBW-modus: 0–100% / CMY-modus: 100–0%
8	Groen 3	000 ⇔ 255	RGBW-modus: 0–100% / CMY-modus: 100–0%
9	Blauw 3	000 ⇔ 255	RGBW-modus: 0–100% / CMY-modus: 100–0%
10	Rood 4	000 ⇔ 255	RGBW-modus: 0–100% / CMY-modus: 100–0%
11	Groen 4	000 ⇔ 255	RGBW-modus: 0–100% / CMY-modus: 100–0%
12	Blauw 4	000 ⇔ 255	RGBW-modus: 0–100% / CMY-modus: 100–0%
13	Rood 5	000 ⇔ 255	RGBW-modus: 0–100% / CMY-modus: 100–0%
14	Groen 5	000 ⇔ 255	RGBW-modus: 0–100% / CMY-modus: 100–0%
15	Blauw 5	000 ⇔ 255	RGBW-modus: 0–100% / CMY-modus: 100–0%
16	Rood 6	000 ⇔ 255	RGBW-modus: 0–100% / CMY-modus: 100–0%
17	Groen 6	000 ⇔ 255	RGBW-modus: 0–100% / CMY-modus: 100–0%
18	Blauw 6	000 ⇔ 255	RGBW-modus: 0–100% / CMY-modus: 100–0%
19	Rood 7	000 ⇔ 255	RGBW-modus: 0–100% / CMY-modus: 100–0%
20	Groen 7	000 ⇔ 255	RGBW-modus: 0–100% / CMY-modus: 100–0%
21	Blauw 7	000 ⇔ 255	RGBW-modus: 0–100% / CMY-modus: 100–0%
22	Rood 8	000 ⇔ 255	RGBW-modus: 0–100% / CMY-modus: 100–0%
23	Groen 8	000 ⇔ 255	RGBW-modus: 0–100% / CMY-modus: 100–0%
24	Blauw 8	000 ⇔ 255	RGBW-modus: 0–100% / CMY-modus: 100–0%
25	Rood 9	000 ⇔ 255	RGBW-modus: 0–100% / CMY-modus: 100–0%
26	Groen 9	000 ⇔ 255	RGBW-modus: 0–100% / CMY-modus: 100–0%
27	Blauw 9	000 ⇔ 255	RGBW-modus: 0–100% / CMY-modus: 100–0%
28	Rood 10	000 ⇔ 255	RGBW-modus: 0–100% / CMY-modus: 100–0%
29	Groen 10	000 ⇔ 255	RGBW-modus: 0–100% / CMY-modus: 100–0%
30	Blauw 10	000 ⇔ 255	RGBW-modus: 0–100% / CMY-modus: 100–0%

Contact Us

General Information	Technical Support
World Headquarters	
Address: 5200 NW 108th Ave. Sunrise, FL 33351 Voice: (954) 577-4455 Fax: (954) 929-5560 Toll Free: (800) 762-1084	Voice: (844) 393-7575 Fax: (954) 756-8015 Email: chauvetcs@chauvetlighting.com Website: www.chauvetprofessional.com
U.K.	
Address: Unit 1C Brookhill Road Industrial Estate Pinxton, Nottingham, UK NG16 6NT Voice: +44 (0) 1773 511115 Fax: +44 (0) 1773 511110	Email: UKtech@chauvetlighting.eu Website: www.chauvetprofessional.eu
Benelux	
Address: Stokstraat 18 9770 Kruishoutem Belgium Voice: +32 9 388 93 97	Email: BNLtech@chauvetlighting.eu Website: www.chauvetprofessional.eu
France	
Address: 3, Rue Ampère 91380 Chilly-Mazarin France Voice: +33 1 78 85 33 59	Email: FRtech@chauvetlighting.fr Website: www.chauvetprofessional.eu
Germany	
Address: Bruno-Bürgel-Str. 11 28759 Bremen Germany Voice: +49 421 62 60 20	Email: DEtech@chauvetlighting.de Website: www.chauvetprofessional.eu
Mexico	
Address: Av. de las Partidas 34 - 3B (Entrance by Calle 2) Zona Industrial Lerma Lerma, Edo. de México, CP 52000 Voice: +52 (728) 690-2010	Email: servicio@chauvet.com.mx Website: www.chauvetprofessional.mx

Outside the U.S., U.K., Ireland, France, Germany, Mexico or Benelux, contact the dealer of record. Follow the instructions to request support or to return a product. Visit our website for contact details.



RoHS

