

# AudioPressBox<sup>®</sup>

## APB-216 C-D

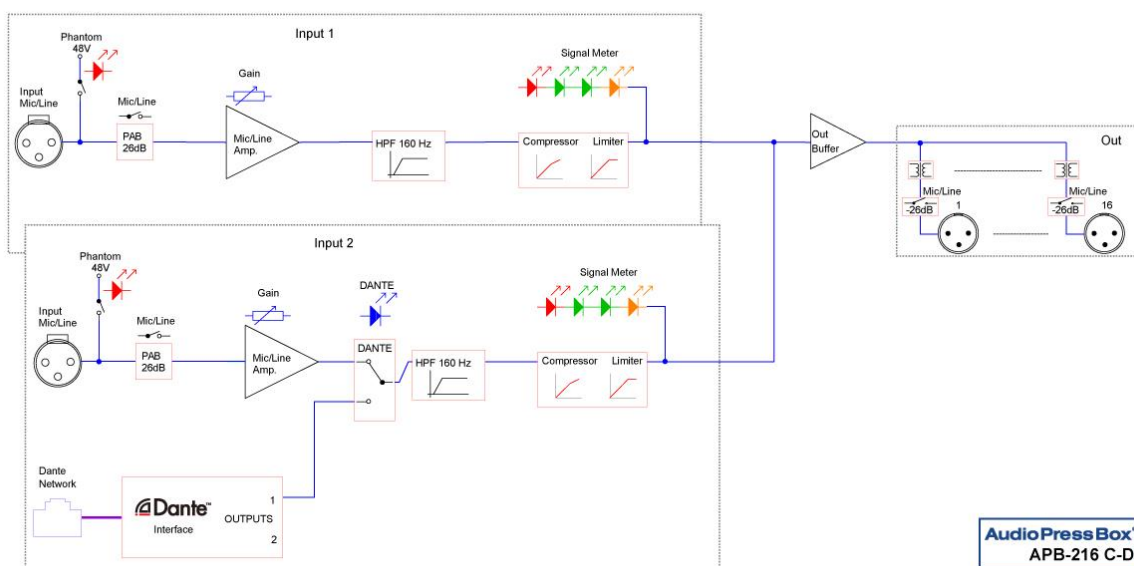
AudioPressBox – Active, portable, 2x MIC/Line In, 1x Dante In, 16x Line/MIC Out, AccuPack 10 hours



### Features

- 2 MIC (phantom power) / LINE Inputs – balanced with gain control and 26dB PAD
- 1 Channel DANTE Input - RJ45 ethercon, requires PoE
- 16 High quality independent transformer balanced and isolated outputs
- Each Output is switchable between MIC or LINE level
- Built-in Compressor and Limiter for each Input
- On unit printed QR code for online access to manual, user guide and video guide
- Li-Ion AccuPack with microprocessor controlled battery management
- 10 hour full load capacity. Note: AccuPack is placed inside the unit

### BLOCK DIAGRAM APB-216 C-D



AudioPressBox<sup>®</sup>  
APB-216 C-D

# Audio Press Box<sup>®</sup>

Audio Press Box APB-216 C-D		
Type	2 in 16	
Groups	1	
<b>Input section</b>		
Inputs	2 analog	
Input connectors	Balanced, XLR	
Input Gain	MIC +22/ +62dB	LINE -4/ +36dB
Max. input level	Mic: -10/ -30dBu	Line: +36/ -4dBu
Phantom Voltage	48V	
Input Impedance	Mic: 2,4k $\Omega$	Line: 3,5k $\Omega$
<b>Output section</b>		
Outputs	16 Line/ MIC level	
Output connectors	Balanced, XLR	
Nominal Output Level	+6dBu	
Maximum Output Level	+20dBu (no load) +14dBu (600 $\Omega$ )	
Output impedance	Mic: 220 $\Omega$	Line: 600 $\Omega$
Transformer isolated outputs	Yes ( <b>each output</b> )	
SNR	86dB	
Frequency Response	120Hz to 30kHz/ -3dB	
<b>Controls</b>		
Input section:	26dB PAD, Input gain, Phantom	
Output section:	Power switch, Output PAD	
<b>Indicators</b>		
Input section:	Phantom power, Input level	
<b>Power</b>		
Power Supply	24V DC, 1A external adaptor	
Battery	Li-Ion, 14,4V 2200mAh	
Battery operation time	up to 8 hrs	
<b>Mechanical</b>		
Dimensions (WxHxD)	370x 120x 300mm	
Weight	4.7 kg	