

## 4-Series™ DIN Rail Control System

The Crestron® [DIN-AP4](#) is a control system designed specifically for DIN rail mounting applications. The DIN-AP4 features a powerful 4-Series™ control engine and provides numerous integrated control ports. The DIN-AP4 serves as the core processor for controlling a complete DIN rail automation system.



### In the Box

- 1 DIN-AP4, 4-Series™ DIN Rail Control System

#### Additional Items

- 1 Connector, 2-Pin (2020549)
- 2 Connector, 4-Pin (2020555)
- 2 Connector, 5-Pin (2020548)
- 2 Connector, 8-Pin (2020551)
- 1 Connector, 9-Pin (2020552)



### Mount the DIN-AP4

The DIN-AP4 can be mounted onto a standard DIN rail (not included).

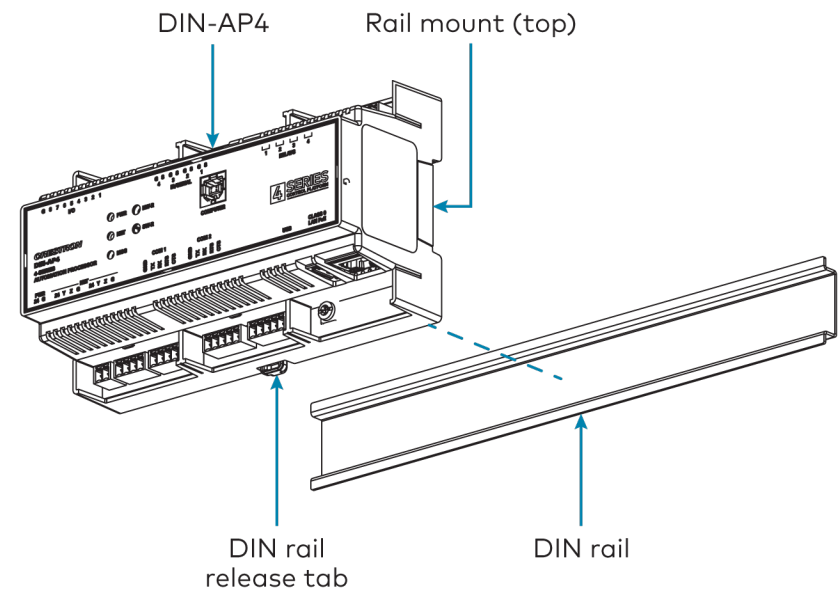
Observe the following prior to mounting the DIN-AP4:

- Use in an electrical panel with DIN rail mounting provisions.
- Mount in a well-ventilated area.
- Do not block the venting holes.

**CAUTION:** To prevent overheating, do not operate the DIN-AP4 in an area that exceeds the environmental temperature range (41 to 113 °F or 5 to 45 °C) for this device.

To mount the DIN-AP4:

1. Hang the DIN-AP4 on the top of the DIN rail.
2. Align the bottom of the DIN-AP4 with the DIN rail, then snap the DIN-AP4 into place.



To remove the DIN-AP4 from the DIN rail:

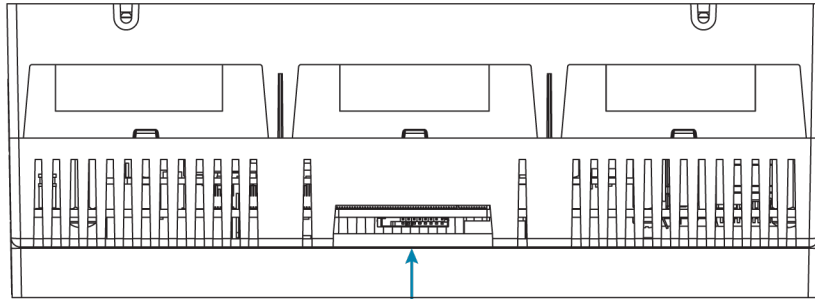
1. Turn off the power to the DIN-AP4.
2. Remove all connections from the DIN-AP4.
3. Use a small, flat-head screwdriver to pull the DIN rail release tab down.
4. Tilt the bottom of the DIN-AP4 away from the bottom of the DIN rail, then remove the DIN-AP4.

## 4-Series™ DIN Rail Control System

### Connect the DIN-AP4

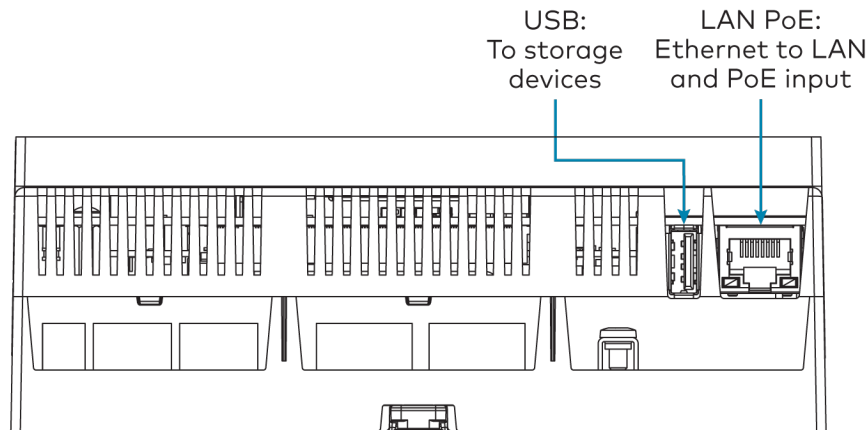
Make all device connections as shown in the following illustrations.

#### Top Panel Connections



Memory:  
For SD or  
SDHC cards

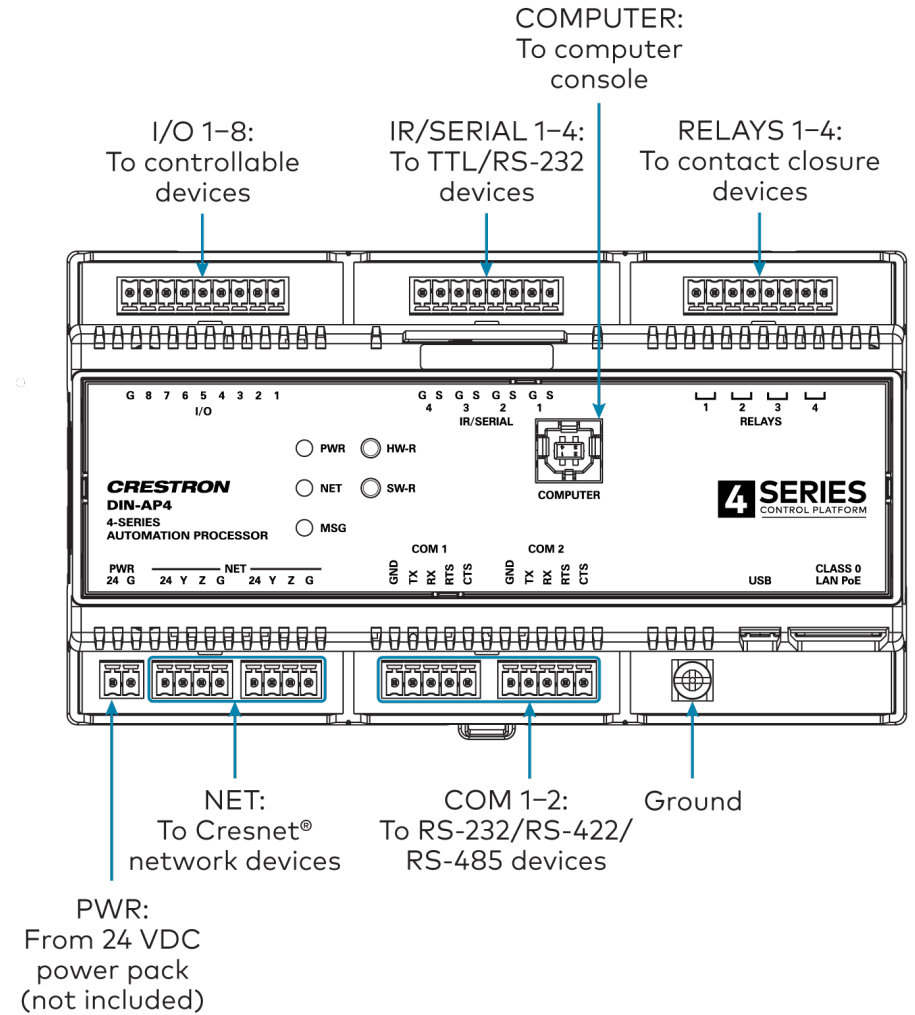
#### Bottom Panel Connections



USB:  
To storage  
devices

LAN PoE:  
Ethernet to LAN  
and PoE input

#### Front Panel Connections



## 4-Series™ DIN Rail Control System

Observe the following when connecting the DIN-AP4:

**NOTE:** To comply with the European Directive (CE), Crestron recommends using shielded CAT5e cable as a minimum for PoE power.

- Use Crestron power supplies for Crestron equipment.
- Power may be provided to the DIN-AP4 by a 24 VDC power supply (not included) via the **PWR** port or a single Ethernet cable via the **LAN PoE** port. A Crestron PoE (Power over Ethernet) power supply, such as the PWE-4803RU, or a PoE-capable network switch is recommended for the latter (both not included).
- Connect the chassis ground lug to a known earth ground circuit (for example, building steel) to ensure that the DIN-AP4 is grounded properly.
- Apply power after all connections have been made.

### COM 1–2 Connections

Port	RS-232	RS-422 <sup>1</sup>	RS-485
<b>G</b>	GND	GND	GND <sup>2</sup>
<b>TX</b>	TX (from DIN-AP4)	TX- (from DIN-AP4)	TX-/RX-
<b>RX</b>	RX (to DIN-AP4)	RX+ (from DIN-AP4)	Not used
<b>RTS</b>	RTS (from DIN-AP4)	TX+ (from DIN-AP4)	TX+/RX+
<b>CTS</b>	CTS (to DIN-AP4)	RX- (to DIN-AP4)	Not used

1. RS-422 transmit and receive are balanced signals that require two lines plus a ground in each direction. RXD+ and TXD+ should idle high (going low at start of data transmission). RXD- and TXD- should idle low (going high at start of data transmission). If necessary, RXD+/RXD- and TXD+/TXD- may be swapped to maintain correct signal levels.
2. A ground terminal connection is recommended but not required.



## Configure the Control System

The control system may be configured using the provided web configuration interface. The interface can be accessed using the control system IP address or the XiO Cloud® service.

### Configuration via IP Address

To access the web configuration interface using the control system IP address:

**NOTE:** The control system ships with DHCP enabled. A DHCP server is required to access the web configuration interface via the device IP address.

1. Connect the control system to the network.
2. Use the Device Discovery tool in Crestron Toolbox™ software to discover the control system and its IP address on the network.
3. Enter the control system IP address into a web browser.

### Configuration via XiO Cloud

The XiO Cloud service allows supported Crestron devices across an enterprise to be managed and configured from one central and secure location in the cloud. Supported devices are configured to connect to the service. Use of the service requires a registered XiO Cloud account.

**NOTE:** The device may be disconnected from the service by navigating to the Cloud Services tab in Crestron Toolbox software (**Functions > Device Info > Cloud Services**). For details, refer to the Crestron Toolbox help file.

## 4-Series™ DIN Rail Control System

To access the web configuration interface using the XiO Cloud service:

1. Connect the control system to the network.
2. Record the MAC address and serial number that are labeled on the top of the control system. The MAC address and serial number are required to add the device to the service.
3. Do either of the following
  - For existing accounts, access the XiO Cloud service at <https://portal.crestron.io>.
  - For new accounts, register for a XiO Cloud account at [www.crestron.com/xio-cloud-registration](http://www.crestron.com/xio-cloud-registration).
4. Claim the device to the service as described in the [XiO Cloud User Guide \(Doc. 8214\)](#).
5. Select the device from the cloud interface to view its settings.



### Create an Admin Account

The first time the web configuration interface is accessed, a dialog box is displayed asking the user to create an admin account. A similar message is displayed when connecting to the device in Crestron Toolbox software if an admin account has not already been created.

To create an admin account:

1. Enter a username and password for the admin account in the appropriate text fields.

**CAUTION:** Do not lose the username and password for the admin account, as the device must be reset to factory settings to regain access.

2. Click **OK**. A dialog box is displayed stating that enabling authentication will restart the web session.
3. Click **Yes** to confirm and restart. The username and password created in step 1 must be entered to regain access to the web configuration interface.

**NOTE:** The username and password must also be entered when connecting to the device via Crestron Toolbox.

## 4-Series™ DIN Rail Control System



### Set the Time Zone

The time zone must be set on the control system to ensure that the correct time settings are pushed to controlled devices.

To set the time zone:

1. Access the web configuration interface using either the device IP address or the XiO Cloud service.
2. Navigate to **Settings > System Setup**.
3. Select the time zone where the control system is used from the **Time Zone** drop-down menu.
4. Click **Save Changes** on the top right of the screen.



### Pair with Apple HomeKit

The control system can be paired with Apple® HomeKit® technology to enable communication between the control system and Apple HomeKit devices and accessories.

For pairing instructions and to locate the unique QR code required for pairing, refer to the DIN-AP4 Product Information document (Doc. 8537) that shipped with your DIN-AP4.



### Visit the Product Page

Scan the QR code to visit the product page.

DIN-AP4



[www.crestron.com/model/6510417](http://www.crestron.com/model/6510417)

## 4-Series™ DIN Rail Control System

### Additional Information

**Original Instructions**

The U.S. English version of this document is the original instructions. All other languages are a translation of the original instructions.

**Regulatory Model:** DIN-AP4

Crestron product development software is licensed to Crestron dealers and Crestron Service Providers (CSPs) under a limited nonexclusive, nontransferable Software Development Tools License Agreement. Crestron product operating system software is licensed to Crestron dealers, CSPs, and end-users under a separate End-User License Agreement. Both of these Agreements can be found on the Crestron website at [www.crestron.com/legal/software\\_license\\_agreement](http://www.crestron.com/legal/software_license_agreement).

The product warranty can be found at [www.crestron.com/warranty](http://www.crestron.com/warranty).

The specific patents that cover Crestron products are listed at [www.crestron.com/legal/patents](http://www.crestron.com/legal/patents).

Certain Crestron products contain open source software. For specific information, visit [www.crestron.com/opensource](http://www.crestron.com/opensource).

Crestron, the Crestron logo, 4-Series, Cresnet, Crestron Toolbox, and XiO Cloud are either trademarks or registered trademarks of Crestron Electronics, Inc. in the United States and/or other countries. Apple and HomeKit are either trademarks or registered trademarks of Apple, Inc. in the United States and/or other countries. Other trademarks, registered trademarks, and trade names may be used in this document to refer to either the entities claiming the marks and names or their products. Crestron disclaims any proprietary interest in the marks and names of others. Crestron is not responsible for errors in typography or photography.

©2020 Crestron Electronics, Inc.

Doc. 8514A

08/25/20