

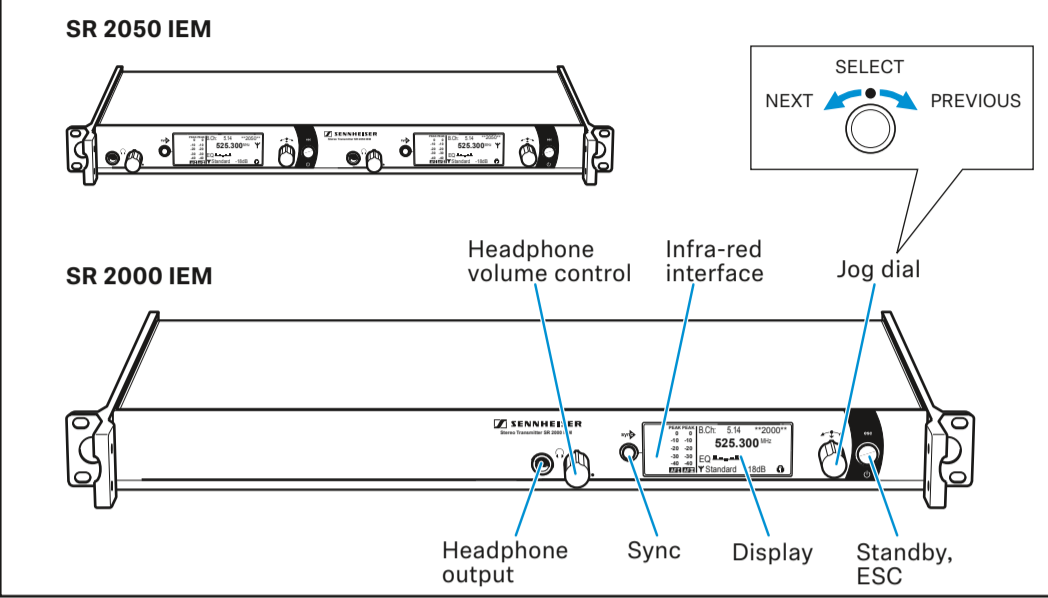


2000 IEM Series

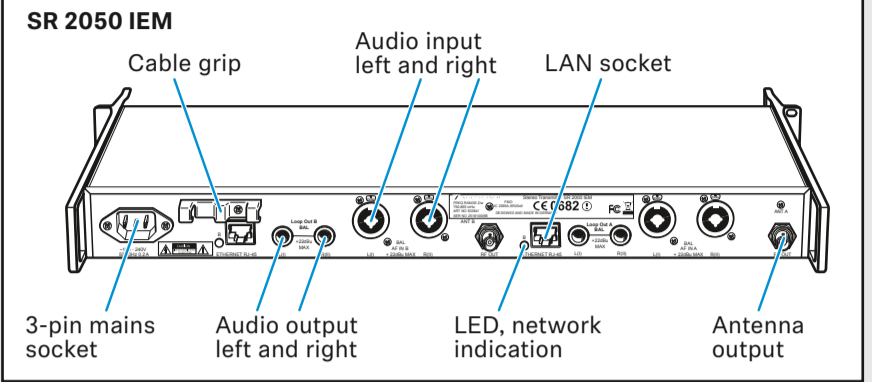
SR 2050 IEM | SR 2000 IEM | EK 2000 IEM

Quick Guide | Kurzanleitung | Guide rapide | Guida rapida | Guía de inicio rápido | Guia rápido | Beknopte handleiding | Krótka instrukcja obsługi | Snabbguide | Kort vejledning | Pikaohje | Γρήγορος οδηγός | Kisa Kılavuz | Краткая инструкция | 快速指南 | 快速使用指南 | クイックガイド | 요약 설명서

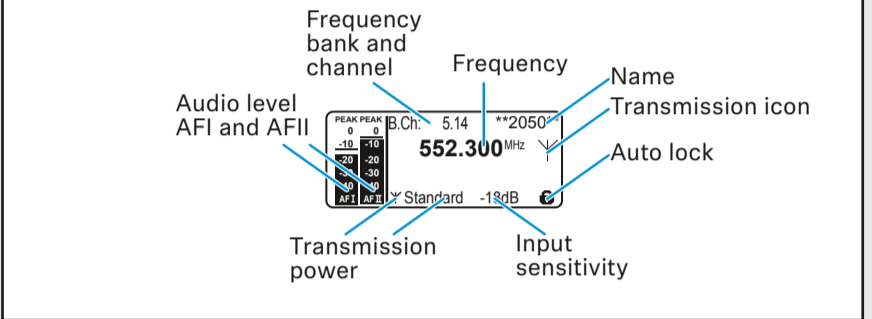
Operating elements - front



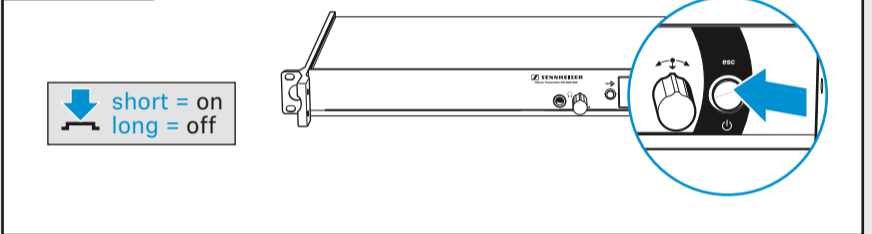
Operating elements - back



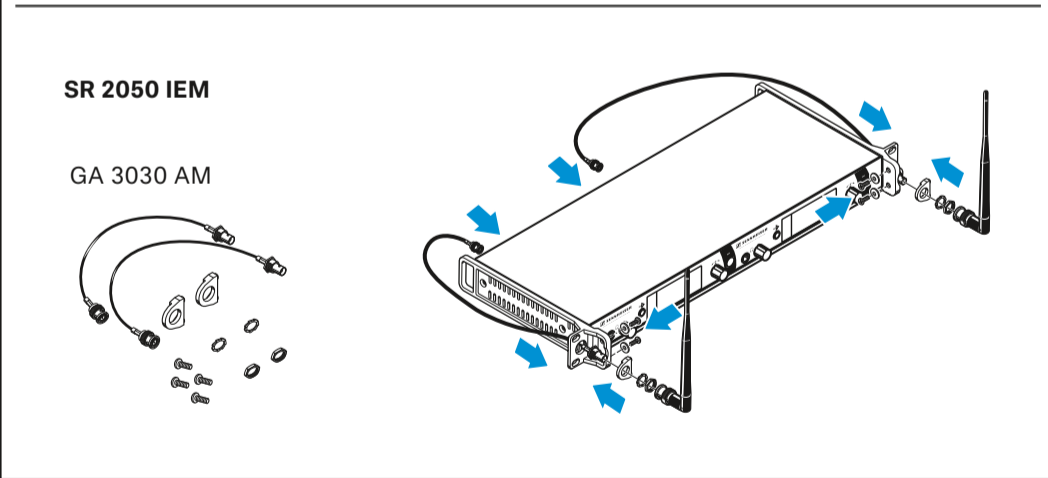
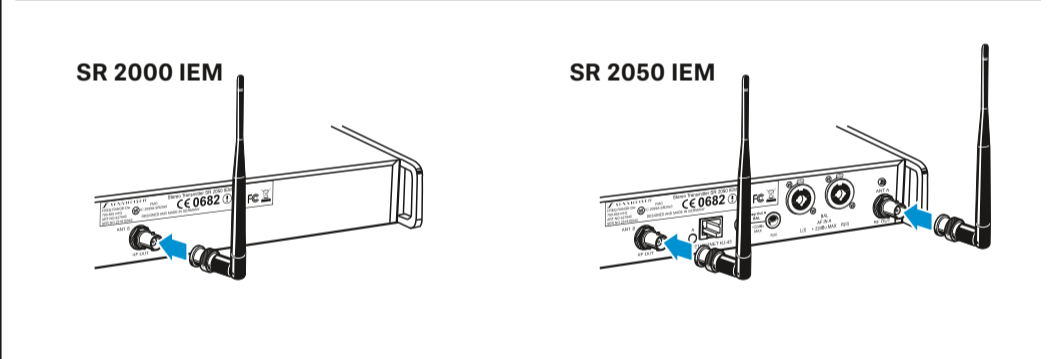
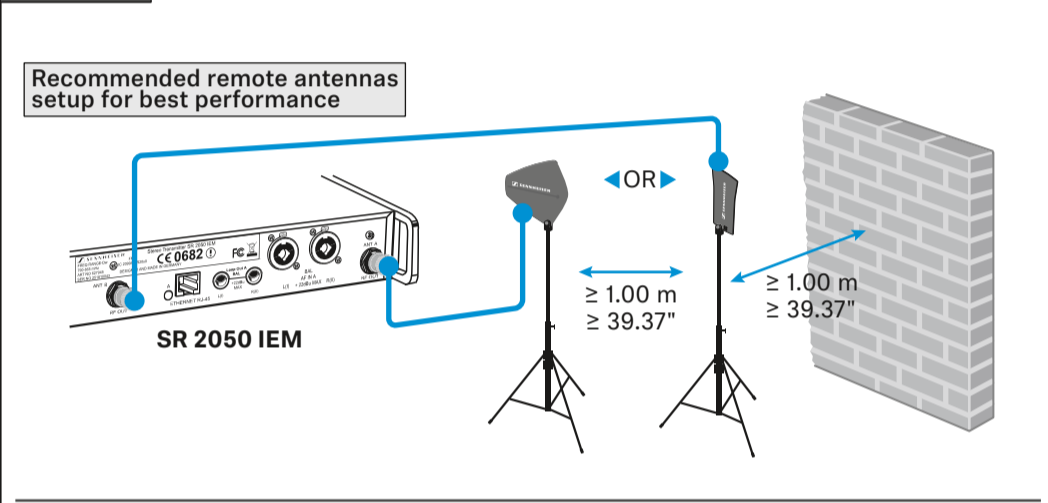
Home screen



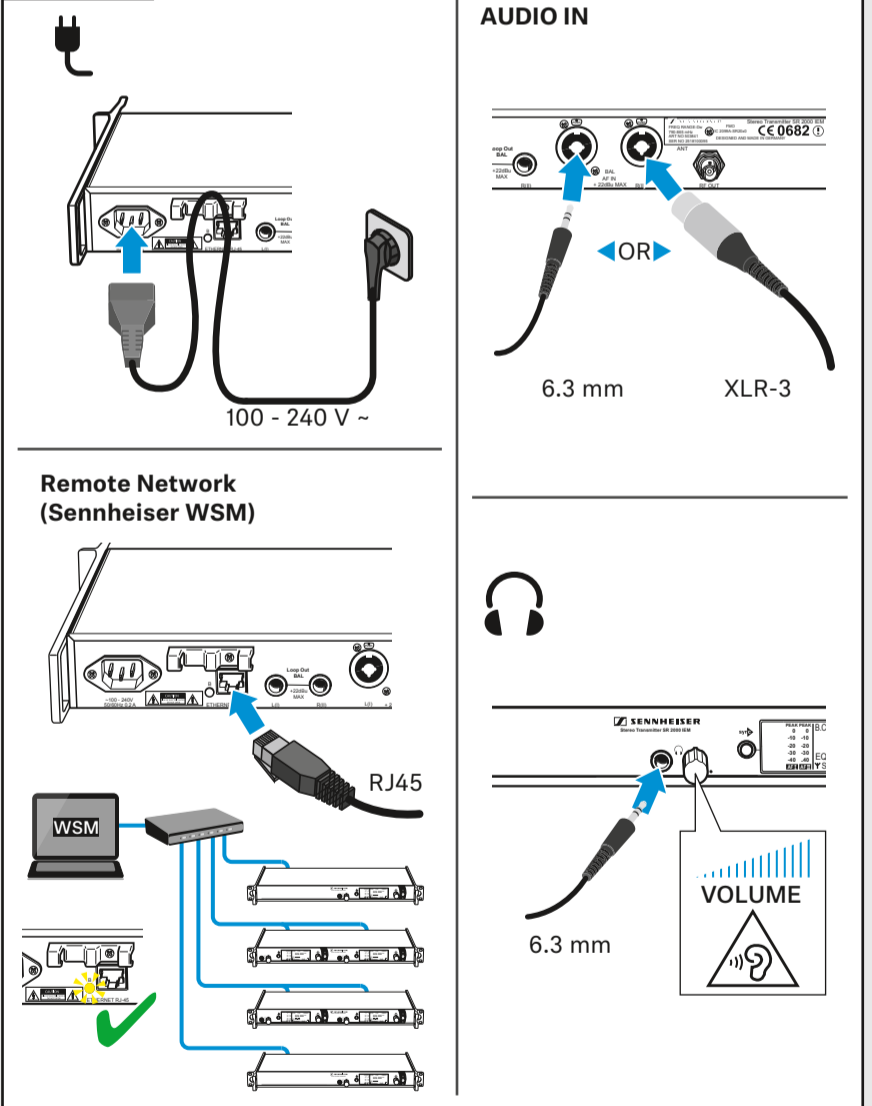
On/Off



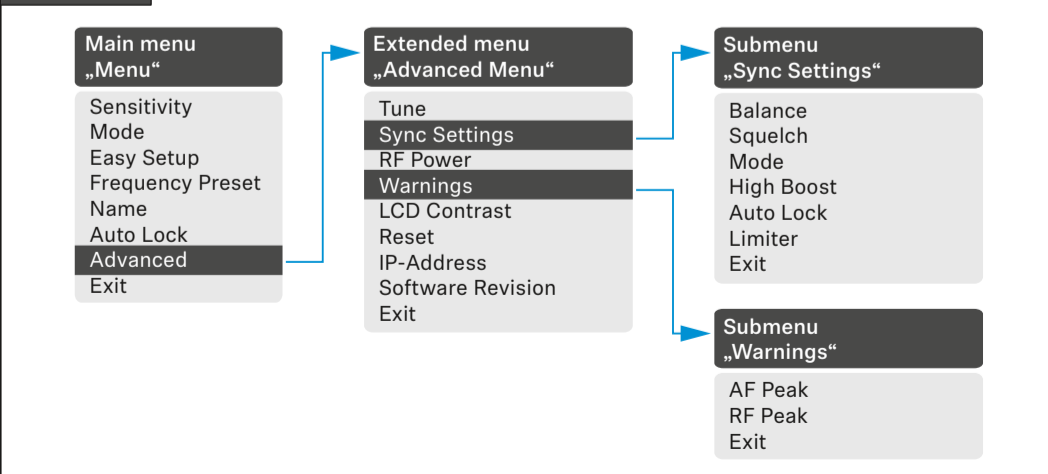
Setup



Setup



Menu



2000 IEM Series Instruction Manuals



Battery

EK 2000 IEM

BA 2015

2x AA primary cells (alkali manganese)

CLICK!

100 %

70 %

30 %

LOW BATT

Operating elements

On/Off

Setup

Home screens

Frequency Name

RF level

Audio level

Pilot MUTE

Auto lock

Battery

∞ Stereo

∞ Focus

Frequency

Limiter

High Boost

Auto lock

10 s

Changing settings

Menu

Main menu „Menu“

- Squelch
- Easy Setup
- Frequency Preset
- Name
- Balance
- Mode
- High Boost
- Auto Lock
- Advanced
- Exit

Extended menu „Advanced Menu“

- Tune
- Pilot Tone
- Limiter
- Volume Boost
- LCD Contrast
- Engineer Mode
- Reset
- Software Revision
- Exit

Sync

ER

sync

PEAK PEAK

0 0

-10 -10

-20 -20

-30 -30

-40 -40

sync

≤ 10 cm

≤ 3.94"

Daisy chaining

SR 2000 IEM

SR 2050 IEM

2000 IEM Series Instruction Manuals

Sennheiser Documentation App

or online at www.sennheiser.com/download

Available on the App Store

2000 Series