



DIGITALINX

VALUE-ENGINEERED DIGITAL SOLUTIONS

DL-1H1A1U-WPKT-W Install Guide



Product Overview

The Digitalinx DL-1H1A1U-WPKT-W HDBaseT 2.0 extender set transmits HDMI, audio , USB High Speed (up to 190Mbps) and RS232 over single category 6 twisted pair cable. The DL-1H1A1U-WPKT-W can transmit 4K resolutions up to 4K@60Hz, 4:2:0 up to 40m / 120' and 1080P up to 70m / 230'. The audio circuit is completely separate and is not dependent on the HDMI or USB input source to be active. The Digitalinx DL-1H1A1U-WPKT-W is HDMI 1.4b and HDCP 2.2 compliant and supports CEC pass through.

The DL-1H1A1U-WPKT-W HDBaseT receiver powers wall plate transmitter via HDBaseT so there is no need for an external power supply for the wall plate.

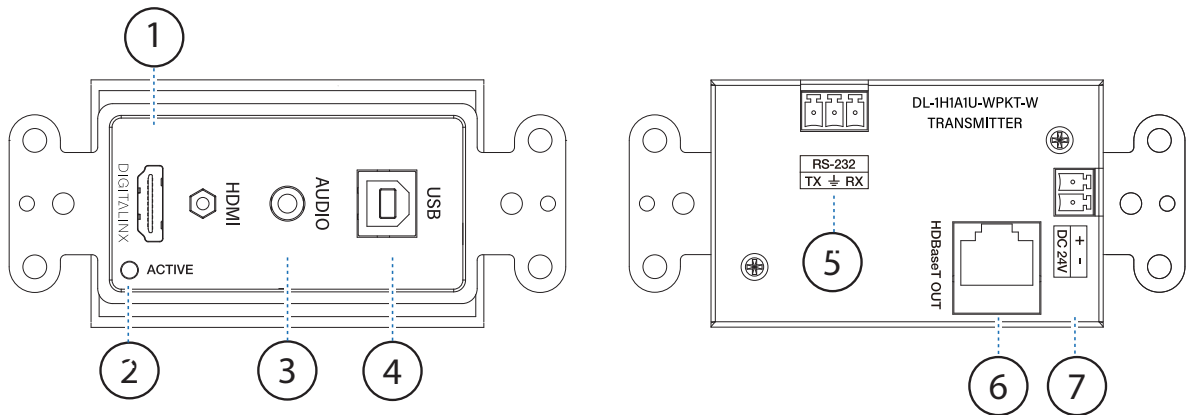
The DL-1H1A1U-WPKT-W is sold only as a set. The individual transmitter and receiver are not compatible with other HDBaseT devices due to proprietary PoE circuitry.

Package Contents

- DL-1H1A1U-WPKT-W Wall plate extender set
- Quick Install Guide
- (1) Decora cover plate
- (1) 3 Pin phoenix connector
- (1) 2 Pin phoenix connector
- (1) DC24V 1A power supply with US, UK, EU and AU power adapter plugs
- (2) Mounting ears with mounting screws

Transmitter / Receiver View

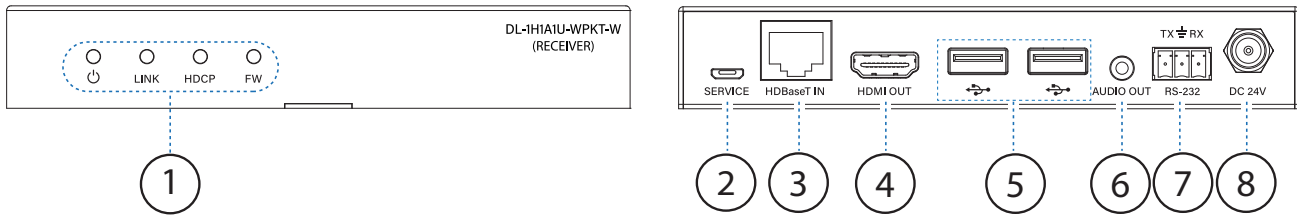
Transmitter



1. HDMI IN - Video source input
2. ACTIVE LED
 - When LED is green, unit is received active HDMI signal
 - When LED is off, no active HDMI signal is present
3. AUDIO IN- 3.5 mm analog audio source input
4. USB - USB host port
5. RS232 - Serial port for transmitting / receiving RS232 signals
6. HDBaseT OUT - HDBaseT output port
7. DC24V - Phoenix connector for connecting external power supply

Note: The DL-1H1A1U-WPKT-W-TX can receive power via HDBaseT from the receiver when connected together with a Category 6 F/UTP cable

Receiver



1. ACTIVITY LED'S

- When POWER LED is ON, unit is receiving power
- When LINK LED is ON, the TX and RX is connected properly
- When HDCP LED is ON, unit is receiving HDCP encrypted content
- When FW LED is ON, unit is receiving power

2. SERVICE- For firmware updates

3. HDBaseT IN - HDBaseT input port

4. HDMI OUT - HDMI output to connect to display technology

5. USB- USB Client side ports

6. AUDIO OUT - 3.5mm analog audio output port

7. RS232- Serial port for transmitting / receiving RS232 signals

8. DC24V - Locking connector for connecting external power supply

Connectivity Instructions

1. Verify all components included with the extender set are present before installation.
2. If the extenders are going to be permanently mounted to a surface, attach the included mounting brackets with the supplied screws.
3. Turn off power and disconnect the audio/video equipment by following the manufacturer's instructions.
4. Connect Category 6 or greater twisted pair cable with RJ45 connectors between the transmitter (DL-1H1A1U-WPKT-W-TX) and the receiver (DL-H1A1U-WPKT-W-RX). TIA/EIA-568B straight-through wiring connections must be used with all HDBaseT extenders.
5. Connect an HDMI cable and any desired control accessories between the display and the receiver (DL-H1A1U-WPKT-W-RX).
6. Connect an HDMI cable and any desired control accessories between the source and the transmitter (DL-1H1A1U-WPKT-W-TX).
7. Connect a computer USB port to the transmitter (DL-1H1A1U-WPKT-W-TX) USB host port.
8. Connected USB peripherals such as white-boards and USB cameras the to USB client ports of the receiver (DL-1H1A1U-WPKT-W-RX) USB ports.
9. Connect the included power supply to the DL-1H1A1U-WPKT-W receiver and lock the power supply to the power connector by twisting the locking collar clockwise.
10. Power on attached audio/video devices.

Cabling Requirements

HDBaseT Cabling

To ensure proper performance of the DL-1H1A1U-WPKT-W, it is recommended that you use solid core, shielded Category 6 F/UTP cabling at a minimum. Category 5e F/UTP may perform well but may not support power over HDBaseT reliably.



When using shielded category cabling *ALWAYS*...

-use shielded connectors
-properly ground the category cable

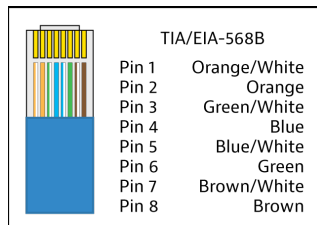
For optimized HDBaseT performance use the following Liberty Wire and Cable branded cabling;

Category 6 plenum; **24-4P-P-L6SH**

Category 6A plenum; **24-4P-P-L6ASH**

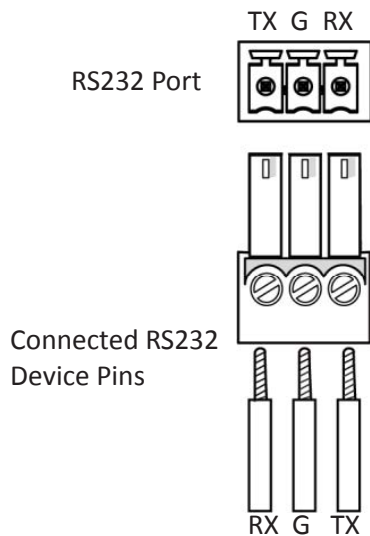
Category 6 NON-plenum; **24-4P-L6SH**

Category 6A NON-plenum; **24-4P-L6ASH**



Twisted Pair Wiring

Use TIA/EIA-568B wiring for Category 6 connection between send and receive units.



RS232 Wiring

Connect the controller or device RX signal to TX on the DL-1H1A1U-WPKT-W extender. Connect the controller or device TX signal to Rx on the DL-1H1A1U-WPKT-W extender.

Technical Specifications

VIDEO	
Video Inputs (TX)	(1) HDMI
Video Input Connector (TX)	(1) HDMI type A
Input Video Signal	HDMI
Video Output (RX)	(1) HDMI
Video Output Connector (RX)	(1) HDMI type A
Output Video Signal	HDMI
Input Resolutions Supported	Up to 3840 x 2160 @ 60Hz, 4:2:0, 8bit color depth
Standards	Compliant with HDMI 1.4b & HDCP2.2
USB	
Supported USB Standard	USB 2.0 High Speed
USB Data Transfer Bandwidth	190Mbps
USB Port Type	(1) USB Type B (TX) (2) USB Type A (RX)
AUDIO	
Supported output formats (HDMI)	LPCM, Dolby Digital/Plus/EX, Dolby True HD, DTS, DTS-EX, DTS-96/24, DTS High Res, DTS-HD Master Audio, DSD
Supported output formats (Analog)	PCM 2.0
Audio Input / Output	Stereo analog
Audio Input / Output Connector	(1) 3.5mm TRS audio jack
Audio Output Impedance	70 Ohms
Frequency Response	20Hz~20K Hz
CONTROL	
Control Port / Connector	(1) RS232 (TX) / 3 phoenix connector (1) RS232 (RX) / 3 phoenix connector
OTHER	
System Bandwidth	10.2Gbps
Operating Temperature	0C ~ +40C
Storage Temperature	-20C ~ +60C
Humidity	20% ~ 90%
Power Supply	Input:100V~240V AC; Output: 24V DC 1A
Power Consumption	9 watts
Dimension (W*H*D)	TX:103.5mm * 30mm * 46mm / 4" * .12" * 1.8" RX:140mm * 23mm * 75mm / 5.5" * .9" * 2.9"
Weight	TX:163g / .36 lbs RX:200g / .44 lbs
Warranty	5 years
Certification	CE, FCC, RoHS

Thank you for your purchase.

For Technical Support please call our toll free
number at 800-530-8998 or email us at supportli-
bav@libav.com

www.libav.com

Digitalinx is a brand of:



LIBERTY
AV SOLUTIONS

11675 Ridgeline Drive
Colorado Springs, Colorado
80921 USA
Phone: 719-260-0061
Fax: 719-260-0075
Toll-Free: 800-530-8998