

PALADIN™
user manual

©2018 ELATION PROFESSIONAL all rights reserved. Information, specifications, diagrams, images, and instructions herein are subject to change without notice. ELATION PROFESSIONAL logo and identifying product names and numbers herein are trademarks of ELATION PROFESSIONAL. Copyright protection claimed includes all forms and matters of copyrightable materials and information now allowed by statutory or judicial law or hereinafter granted. Product names used in this document may be trademarks or registered trademarks of their respective companies and are hereby acknowledged. All non-ELATION brands and product names are trademarks or registered trademarks of their respective companies.

ELATION PROFESSIONAL and all affiliated companies hereby disclaim any and all liabilities for property, equipment, building, and electrical damages, injuries to any persons, and direct or indirect economic loss associated with the use or reliance of any information contained within this document, and/or as a result of the improper, unsafe, insufficient and negligent assembly, installation, rigging, and operation of this product.

Elation Professional USA | 6122 S. Eastern Ave. | Los Angeles, CA. 90040

323-582-3322 | 323-832-9142 fax | www.elationlighting.com | info@elationlighting.com

Elation Professional B.V. | Junostraat 2 | 6468 EW Kerkrade, The Netherlands

+31 45 546 85 66 | +31 45 546 85 96 fax | www.elationlighting.eu | info@elationlighting.eu



DOCUMENT VERSION

Due to additional product features and/or enhancements, an updated version of this document may be available online.

Please check Elation Service for the latest revision/update of this manual, before beginning installation and/or programming.

Date	Document Version	Software Version ≥	DMX Channel Modes	Notes
04/28/17	1	1.06a	12 / 21 / 33	Initial release.
05/02/17	1.2	1.06	N/C	Updated software release.
05/24/17	1.3	1.06	N/C	Updated installation image.
02/13/18	2	1.11	N/C	Added Egg Crate and Barn Door Installation Diagrams. Transportation Instructions, ETL #.

CONTENTS

General Information	4
Warranty	7
Safety Instructions and Guidelines	8
Overview	10
Installation	11
Transportation Instructions	17
System Menu	18
DMX Channel Functions And Values	20
Pixel Control	25
Cleaning and Maintenance	27
Technical Specifications	28
Optional Accessories	30

GENERAL INFORMATION

INTRODUCTION

Congratulations, you have just purchased one of the most innovative and reliable IP65 rated lighting fixtures on the market today! This fixture has been designed to perform reliably for years when the guidelines in this booklet are followed. Please read and understand the instructions in this manual carefully and thoroughly before attempting to operate this unit. These instructions contain important information regarding safety during use and maintenance.



IP65 RATED

An IP rated lighting fixture is one, which is commonly installed in outdoor environments and has been designed with an enclosure that effectively protects the ingress (entry) of external foreign objects such as dust and water. The **International Protection (IP)** rating system is commonly expressed as "**IP**" (Ingress Protection) followed by two numbers (i.e. IP65) where the numbers define the degree of protection. The first digit (Foreign Bodies Protection) indicates the extent of protection against particles entering the fixture and the second digit (Water Protection) indicates the extent of protection against water entering the fixture. An IP65 rated lighting fixture is one, which has been designed and tested to protect against the ingress of dust (6) and high-pressure water jets from any direction (5).



MARINE / COASTAL ENVIRONMENT INSTALLATIONS!

Please note although this fixture is IP rated, the fixture is **NOT** suitable for marine and/or coastal environment installations. Installing this fixture in a marine and/or coastal environment may cause corrosion and/or excessive wear to the interior and/or exterior components of the fixture. Damages and/or performance issues resulting from installation in a marine and/or coastal environment will void the manufactures warranty and will **NOT** be subject to any warranty claims and/or repairs.



ENSURE ALL CONNECTIONS AND END CAPS ARE PROPERLY SEALED WITH A NON-CONDUCTIVE DIELECTRIC GREASE (AVAILABLE AT MOST ELECTRICAL SUPPLIERS) TO PREVENT WATER INGRESS/CONDENSATION AND/OR CORROSION.



OPTIONAL CORROSION-RESISTANT COATING

Optional Corrosion-Resistant Coatings may be available for this fixture. Please consult your **Elation Professional** sales representative for details.

UNPACKING

Every fixture has been thoroughly tested and has been shipped in perfect operating condition. Carefully check the shipping carton for damage that may have occurred during shipping. If the carton appears to be damaged, carefully inspect your unit for damage and be sure all accessories necessary to operate the unit have arrived intact. In the event damage has been found or parts are missing, please contact our customer support team for further instructions. Please do not return this unit to your dealer without first contacting customer support at the number listed below. Please do not discard the shipping carton in the trash. Please recycle whenever possible.

BOX CONTENTS

- (1) powerCON Cable
- (1) Safety Cable
- (2) Omega Brackets

CUSTOMER SUPPORT

Elation Professional® provides a customer support line, to provide set up help and to answer any question should you encounter problems during your set up or initial operation. You may also visit us on the web at www.elationlighting.com for any comments or suggestions. For service related issue please contact Elation Professional®.

ELATION SERVICE USA - Monday - Friday 8:00am to 5:00pm PST

Voice: 323-582-3322

Fax: 323-832-9142

E-mail: support@elationlighting.com

ELATION SERVICE EUROPE - Monday - Friday 08:30 to 17:00 CET

Voice: +31 45 546 85 30

Fax: +31 45 546 85 96

E-mail: support@elationlighting.eu

WARRANTY RETURNS

All returned service items whether under warranty or not, must be freight pre-paid and accompany a return authorization (R.A.) number. The R.A. number must be clearly written on the outside of the return package. A brief description of the problem as well as the R.A. number must also be written down on a piece of paper and included in the shipping container. If the unit is under warranty, you must provide a copy of your proof of purchase invoice. Items returned without a R.A. number clearly marked on the outside of the package will be refused and returned at customer's expense. You may obtain a R.A. number by contacting customer support.

IMPORTANT NOTICE!



There are no user serviceable parts inside this unit. Do not attempt any repairs yourself; doing so will void your manufactures warranty. Damages resulting from modifications to this fixture and/or the disregard of safety and general user instructions found in this user manual void the manufactures warranty and are not subject to any warranty claims and/or repairs.

LIMITED WARRANTY

A. Elation Professional® hereby warrants, to the original purchaser, Elation Professional® products to be free of manufacturing defects in material and workmanship for a period of two years (730 days), and Elation Professional® product rechargeable batteries to be free of manufacturing defects in material and workmanship for a period of six months (180 days), from the original date of purchase. This warranty excludes discharge lamps and all product accessories. This warranty shall be valid only if the product is purchased within the United States of America, including possessions and territories. It is the owner's responsibility to establish the date and place of purchase by acceptable evidence, at the time service is sought.

B. For warranty service, send the product only to the Elation Professional® factory. All shipping charges must be pre-paid. If the requested repairs or service (including parts replacement) are within the terms of this warranty, Elation Professional® will pay return shipping charges only to a designated point within the United States. If any product is sent, it must be shipped in its original package and packaging material. No accessories should be shipped with the product. If any accessories are shipped with the product, Elation Professional® shall have no liability what so ever for loss and/or or damage to any such accessories, nor for the safe return thereof.

C. This warranty is void if the product serial number and/or labels are altered or removed; if the product is modified in any manner which Elation Professional® concludes, after inspection, affects the reliability of the product; if the product has been repaired or serviced by anyone other than the Elation Professional® factory unless prior written authorization was issued to purchaser by Elation Professional®; if the product is damaged because not properly maintained as set forth in the product instructions, guidelines and/or user manual.

D. This is not a service contract, and this warranty does not include any maintenance, cleaning or periodic check-up. During the periods as specified above, Elation Professional® will replace defective parts at its expense, and will absorb all expenses for warranty service and repair labor by reason of defects in material or workmanship. The sole responsibility of Elation Professional® under this warranty shall be limited to the repair of the product, or replacement thereof, including parts, at the sole discretion of Elation Professional®. All products covered by this warranty were manufactured after January 1, 1990, and bare identifying marks to that effect.

E. Elation Professional® reserves the right to make changes in design and/or performance improvements upon its products without any obligation to include these changes in any products theretofore manufactured.

F. No warranty, whether expressed or implied, is given or made with respect to any accessory supplied with the products described above. Except to the extent prohibited by applicable law, all implied warranties made by Elation Professional® in connection with this product, including warranties of merchantability or fitness, are limited in duration to the warranty periods set forth above. And no warranties, whether expressed or implied, including warranties of merchantability or fitness, shall apply to this product after said periods have expired. The consumer's and/or dealer's sole remedy shall be such repair or replacement as is expressly provided above; and under no circumstances shall Elation Professional® be liable for any loss and/or damage, direct and/or consequential, arising out of the use of, and/or the inability to use, this product.

G. This warranty is the only written warranty applicable to Elation Professional® products and supersedes all prior warranties and written descriptions of warranty terms and conditions heretofore published.

SAFETY INSTRUCTIONS AND GUIDELINES

This fixture is an extremely sophisticated piece of electronic equipment. To guarantee a smooth operation, it is important to follow all instructions and guidelines in this manual. The manufacturer of this device is not responsible for injury and/or damages resulting from the misuse of this fixture due to the disregard of the information printed in this manual. Only qualified and/or certified personnel should perform installation of this fixture and only the original rigging parts (omega brackets) included with this fixture should be used for installation. Any modifications to the fixture and/or the mounting hardware included will void the original manufacturer's warranty and increase the risk of damage and/or personal injury.



PROTECTION CLASS 1 - FIXTURE MUST BE PROPERLY GROUNDED

DO NOT PLUG FIXTURE INTO A DIMMER PACK!



NEVER OPEN THIS FIXTURE WHILE IN USE!

UNPLUG POWER BEFORE SERVICING FIXTURE!

NEVER TOUCH FIXTURE DURING OPERATION, AS IT MAY BE HOT!

KEEP FLAMMABLE MATERIALS AWAY FROM FIXTURE!



NEVER LOOK DIRECTLY INTO THE LIGHT SOURCE!

RETINA INJURY RISK - MAY INDUCE BLINDNESS!

SENSITIVE PERSONS MAY SUFFER AN EPILEPTIC SHOCK!

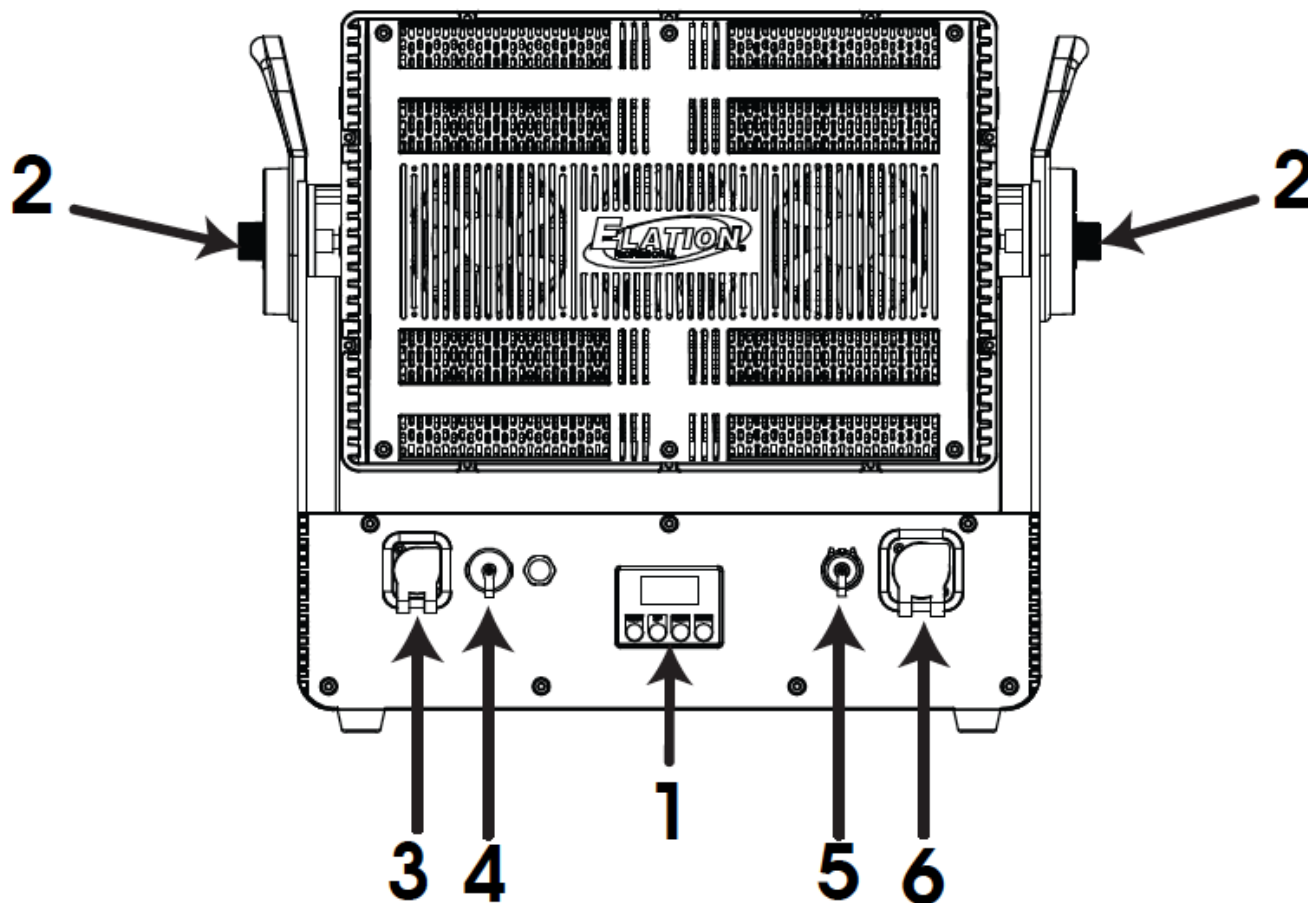


ENSURE ALL CONNECTIONS AND END CAPS ARE PROPERLY SEALED WITH A DIELECTRIC GREASE (AVAILABLE AT MOST ELECTRICAL SUPPLIERS) TO PREVENT WATER CORROSION AND/OR ELECTRICAL SHORT CIRCUIT.

S A F E T Y I N S T R U C T I O N S A N D G U I D E L I N E S

- **DO NOT TOUCH** the fixture housing during operation. Turn OFF the power and allow approximately 15 minutes for the fixture to cool down before serving.
- **DO NOT** shake fixture, avoid brute force when installing and/or operating fixture.
- **DO NOT** operate fixture if the power cord has become frayed, crimped, damaged and/or if any of the power cord connectors are damaged and do not insert into the fixture securely with ease. **NEVER** force a power cord connector into the fixture. If the power cord or any of its connectors are damaged, replace it immediately with a new one of similar power rating.
- **DO NOT** block any air ventilation slots. All fan and air inlets must remain clean and never blocked. Allow approx. 6" (15cm) between fixture and other devices or a wall for proper cooling.
- When installing fixture in a suspended environment, always use mounting hardware that is no less than M10 x 25 mm, and always install fixture with an appropriately rated safety cable.
- Always disconnect fixture from main power source before performing any type of service and/or cleaning procedure. Only handle the power cord by the plug end, never pull out the plug by tugging the wire portion of the cord.
- During the initial operation of this fixture, a light smoke or smell may emit from the interior of the fixture. This is a normal process and is caused by excess paint in the interior of the casing burning off from the heat associated with the lamp and will decrease gradually over time.
- Consistent operational breaks will ensure the fixture will function properly for many years to come.
- Use the original packaging and materials to transport the fixture in for service.

OVERVIEW



1. LCD Menu Display, MENU, UP, DOWN, ENTER Buttons
2. Manual TILT Adjustment Knobs
3. powerCON TRUE1 IN
4. 5pin DMX IN
5. 5pin DMX OUT
6. powerCON TRUE1 OUT

INSTALLATION



FLAMMABLE MATERIAL WARNING

Keep fixture at least 5.0 feet (1.5m) away from any flammable materials, decorations, pyrotechnics, etc.



ELECTRICAL CONNECTIONS

A qualified electrician should be used for all electrical connections and/or installations.



ENSURE ALL CONNECTIONS AND END CAPS ARE PROPERLY SEALED WITH A DIELECTRIC GREASE (AVAILABLE AT MOST ELECTRICAL SUPPLIERS) TO PREVENT WATER CORROSION AND/OR ELECTRICAL SHORT CIRCUIT.

DO NOT INSTALL THE FIXTURE IF YOU ARE NOT QUALIFIED TO DO SO!

Fixture MUST be installed following all local, national, and country commercial electrical and construction codes and regulations.

Before rigging/mounting the fixture to any metal truss/structure or placing the fixture on any surface, a professional equipment installer MUST be consulted to determine if the metal truss/structure or surface is properly certified to safely hold the combined weight of the fixture, clamps, cables, and accessories.

Fixture ambient operating temperature range is **5° to 113°F. (-15° to 45°C)**

Do not use the fixture under or above this temperature.

Fixture should be installed in areas outside walking paths, seating areas, or away from areas where unauthorized personnel might reach the fixture by hand.

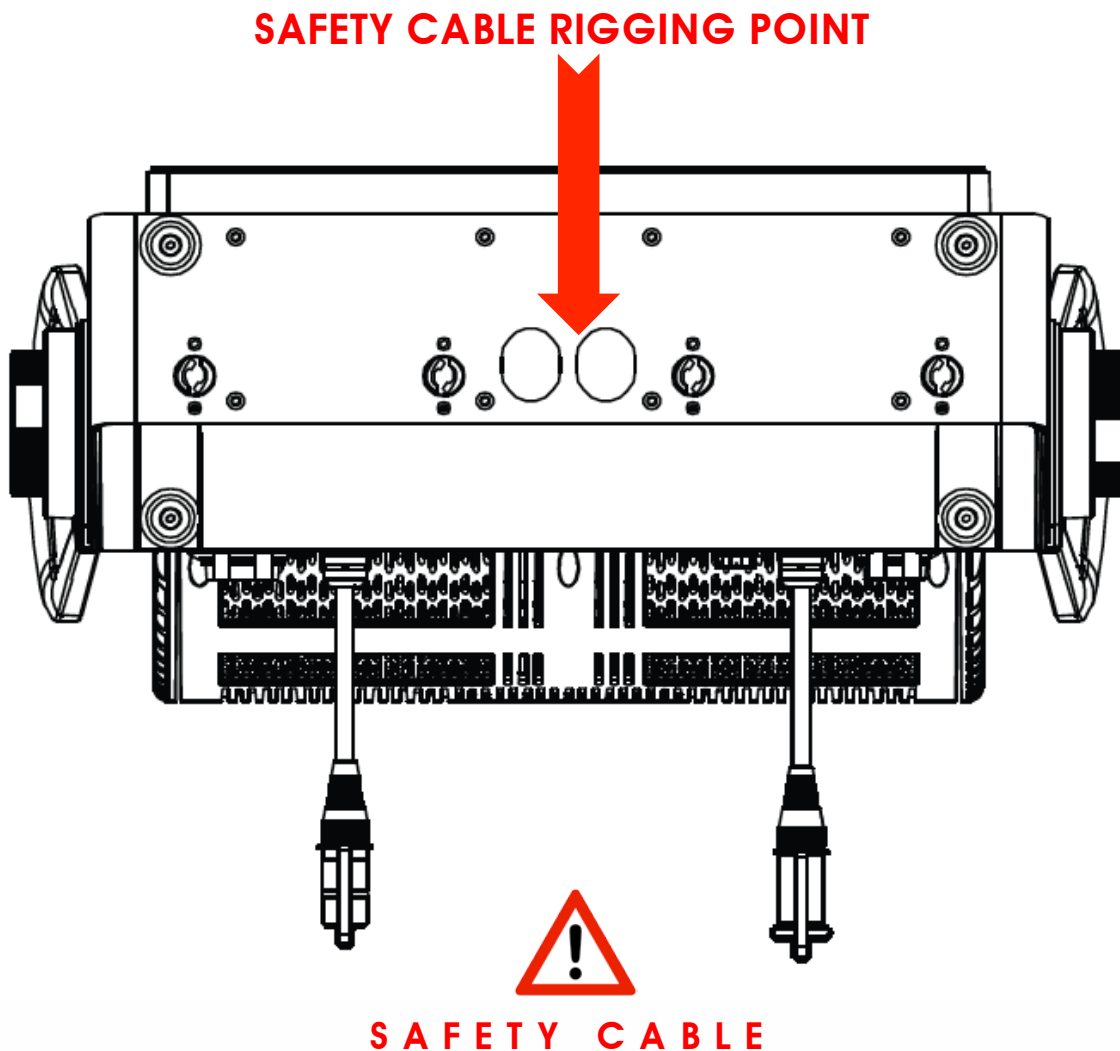
NEVER stand directly below the fixture when rigging, removing or servicing.

Overhead fixture installation must always be secured with a secondary safety attachment, such as an appropriately rated safety cable.

Allow approximately 15 minutes for the fixture to cool down before serving.

CLAMP INSTALLATION

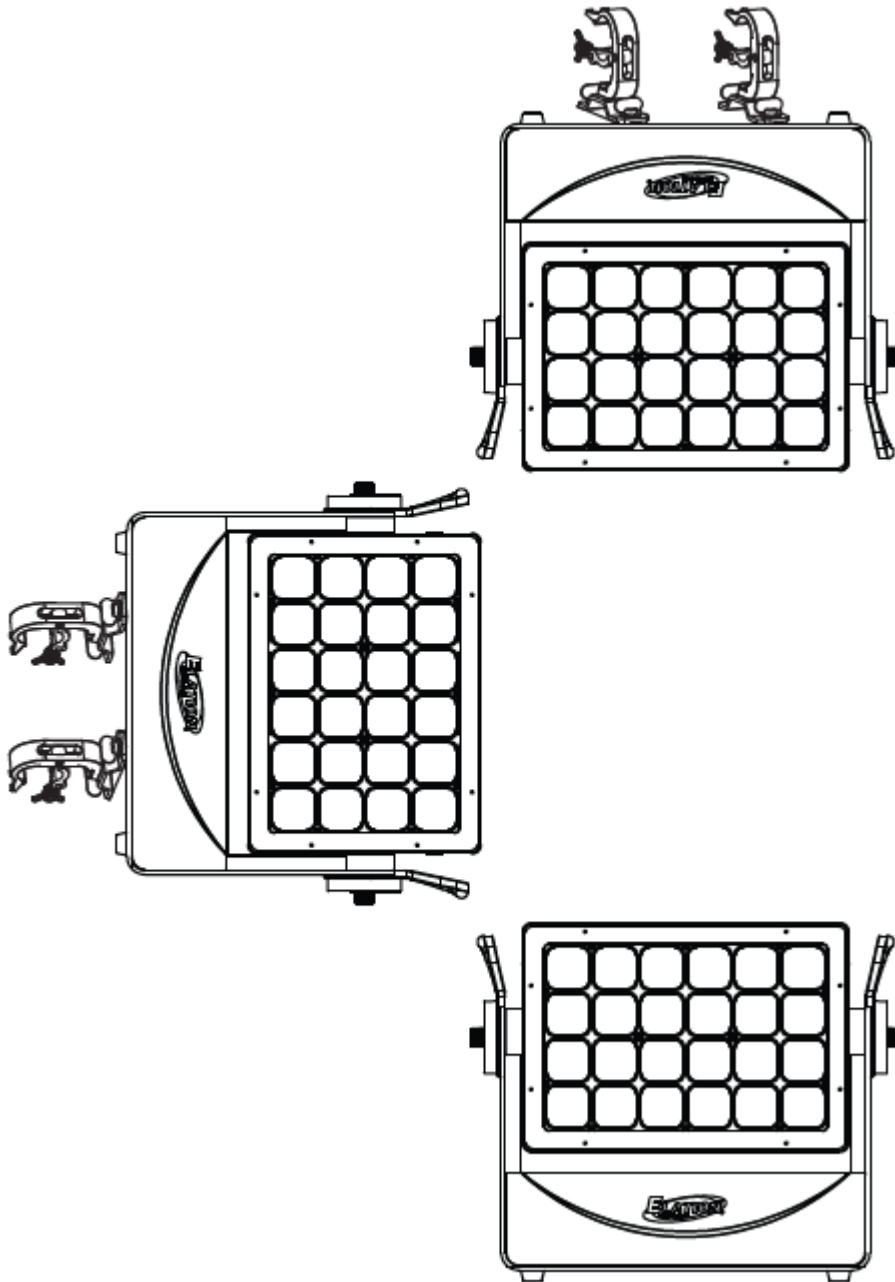
The fixture can be placed on the flat surface or truss mounted. When mounting this fixture to truss be sure to secure (2) appropriately rated clamps (not included) to the **(2) Omega Brackets (included)** Be sure to attach the **Safety Cable (included)** to the fixture using the safety cable rigging points integrated into the bottom of the fixture. (See image below)



ALWAYS ATTACH A SAFETY CABLE TO THE FIXTURE WHENEVER INSTALLING IN A SUSPENDED ENVIRONMENT TO ENSURE THE FIXTURE WILL NOT DROP IF CLAMP FAILS.

RIGGING

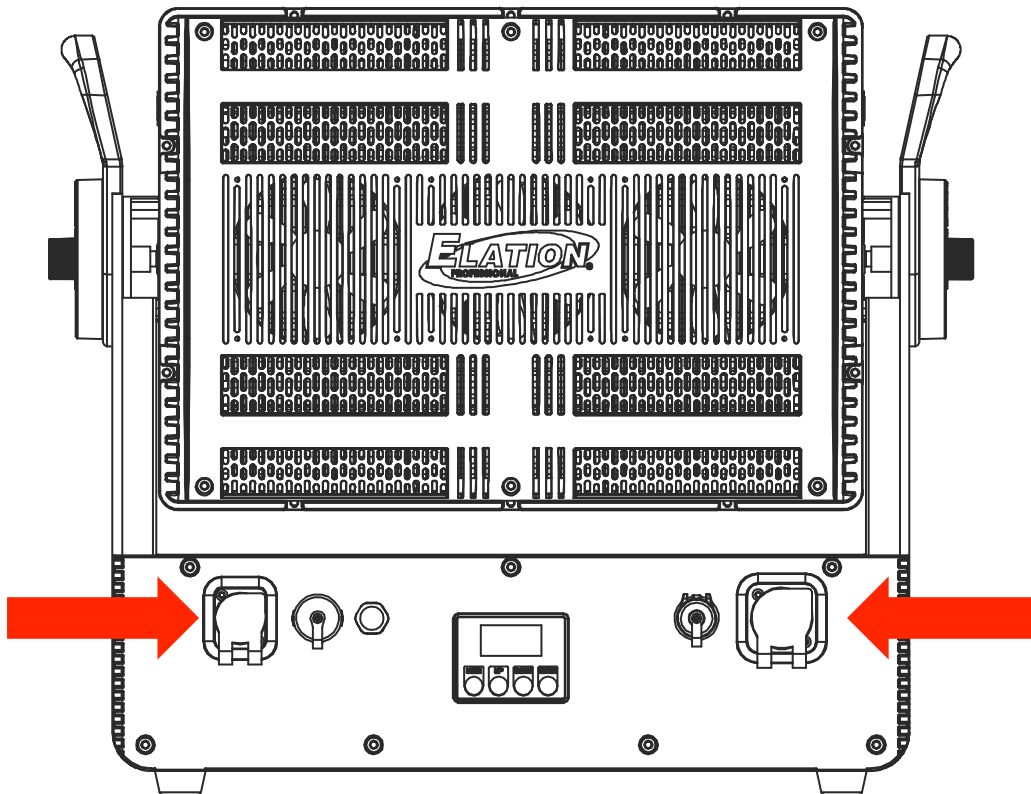
Overhead rigging requires extensive experience, including amongst others calculating working load limits, installation material being used, and periodic safety inspection of all installation material and the fixture. If you lack these qualifications, do not attempt the installation yourself. Improper installation can result in bodily injury. Fixture is fully operational in the specific mounting positions illustrated below.



CONNECTIONS



TO MAINTAIN IP65 RATING INTEGRITY AND PREVENT WATER FROM ENTERING THE FIXTURE, ALL UNUSED CONNECTION RUBBER CAPS MUST BE SEALED.

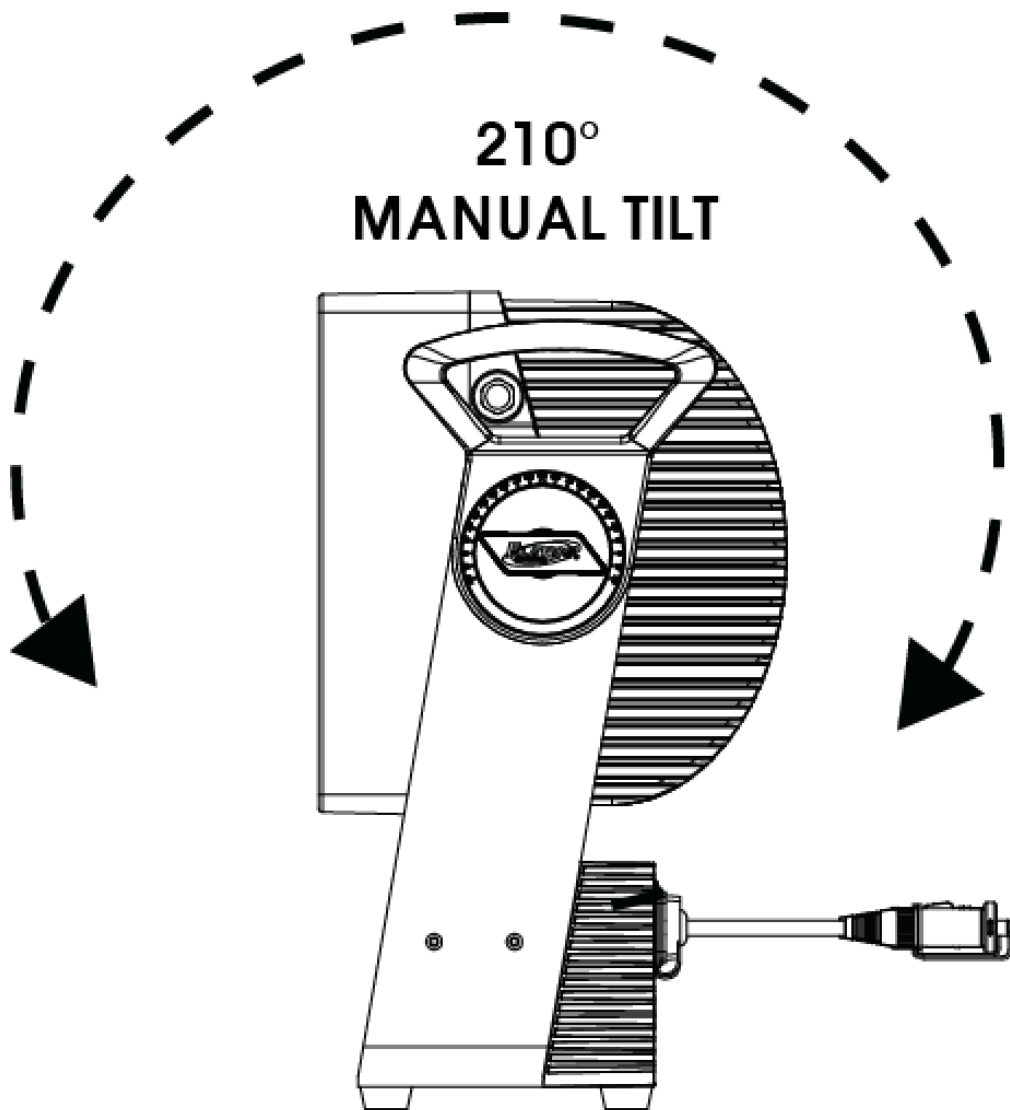


MANUAL TILT ADJUSTMENT

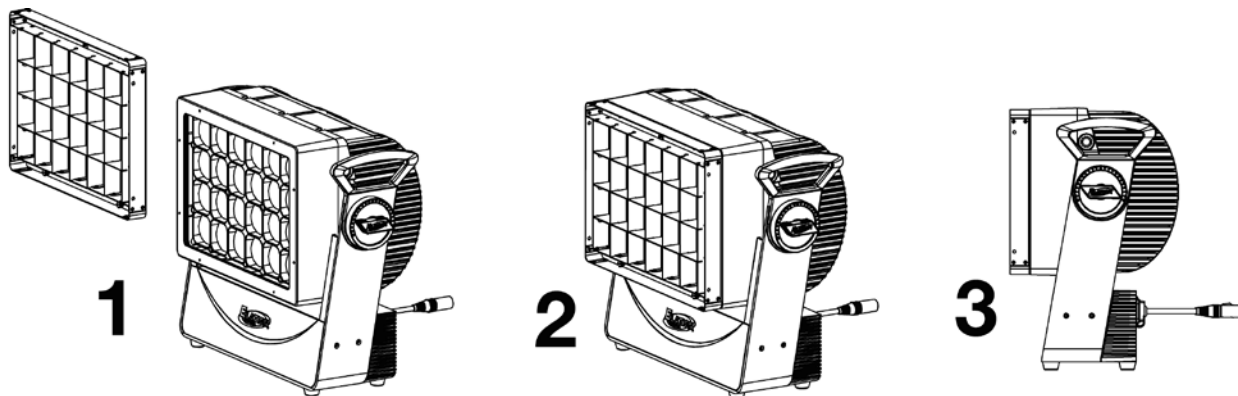
The fixture head tilt position can be manually adjusted by loosening both tilt adjustment knobs and positioning the head within a range of 210 degrees.



ALWAYS MAKE SURE TO TIGHTEN/SECURE BOTH TILT ADJUSTMENT KNOBS TO PREVENT UNWANTED FIXTURE HEAD MOVEMENT.

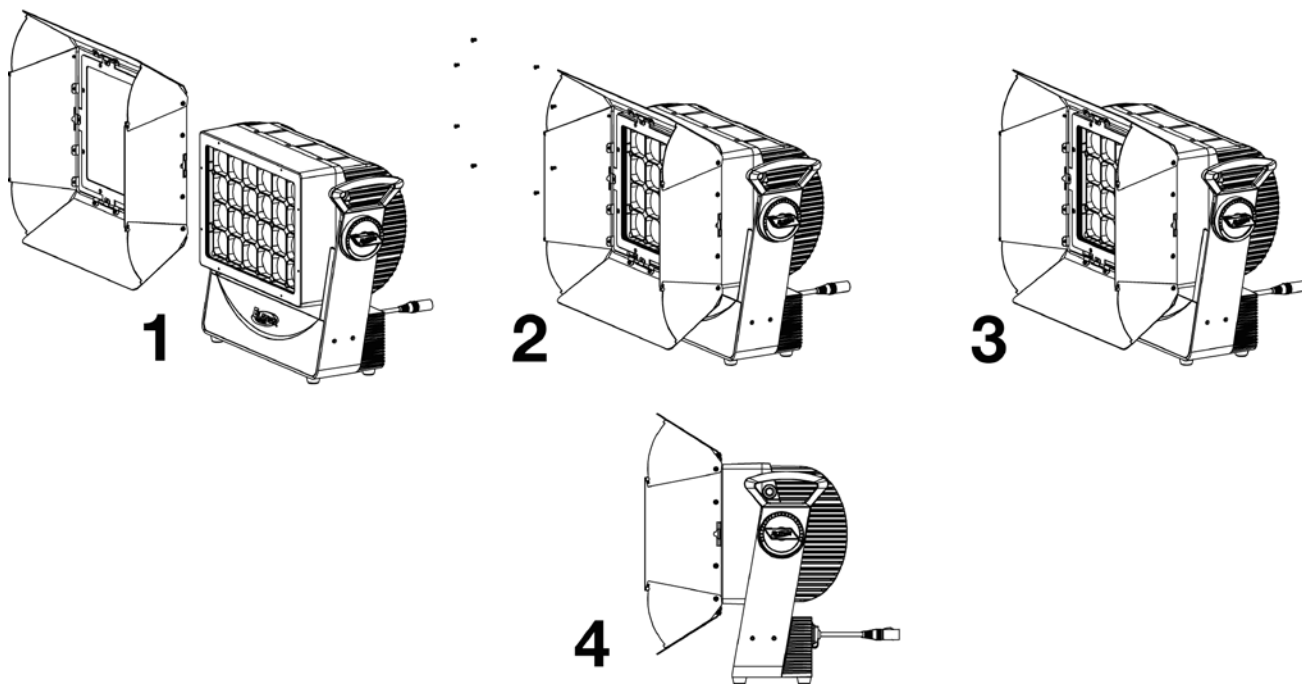


EGG CRATE INSTALLATION



1. Align **EGG CRATE** so (4) screws are aligned to screw holes on the fixture.
2. Tighten each of the (4) screws clockwise until secure. **DO NOT OVER TIGHTEN!**
3. Confirm **EGG CRATE** is completely secured before installing fixture.

BARN DOOR INSTALLATION



1. Align **BARN DOOR** so (8) screws are aligned to screw holes on the fixture.
2. Tighten each of the (8) screws clockwise until secure. **DO NOT OVER TIGHTEN!**
3. Confirm **BARN DOOR** is completely secured before installing fixture.

TRANSPORTATION INSTRUCTIONS

To secure the lens array and prevent any damage while transporting the fixture, it MUST be positioned completely down inside the fixture BEFORE powering fixture OFF.



**BEFORE TRANSPORTING FIXTURE LENS ARRAY
MUST BE POSITIONED DOWN INSIDE FIXTURE
BY SETTING ZOOM DMX CHANNEL TO 255**

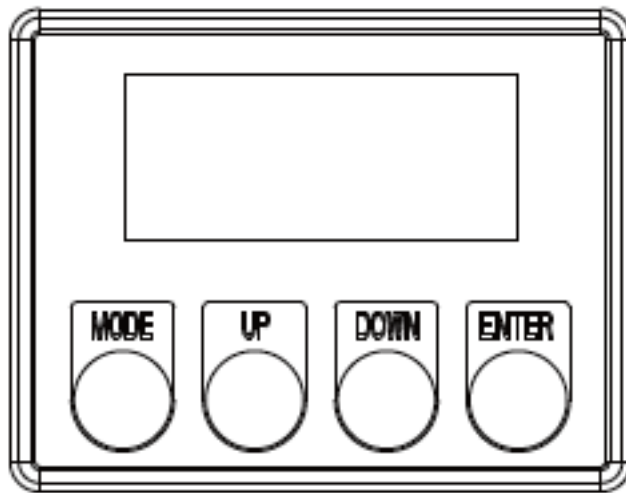


SYSTEM MENU

The fixture includes an easy to navigate system menu control panel display where all necessary setting adjustments are made. (See image below) During normal operation, pressing the **MODE** button once will access the main menu. Once in the main menu you can navigate through the different functions and access sub-menus with the **UP** and **DOWN** buttons. Once you reach a field that requires adjusting, press the **ENTER** button to activate that field and use the **UP** and **DOWN** buttons to adjust the field. Pressing the **ENTER** button once more will confirm your setting. You may exit the main menu at any time without making any adjustments by pressing the **MODE/ESC** button.

LCD CONTROL PANEL LOCKOUT FEATURE

When the **Key Lock** menu (**Function | LCD. Set | Key Lock**) is set to **ON** (default setting), the LCD control panel display will turn OFF and become LOCKED after non-use. To UNLOCK, press the **MODE** button.



INFORMATION DISPLAYED DURING INITIAL POWER ON

When the fixture is initially powered ON, the display shows the following information:



ELATION® PALADIN™ | SYSTEM MENU

Supports Software Versions: ≥ 1.06

Features are subject to change without any prior written notice.

MAIN MENU	SUB MENU	OPTIONS / VALUES (Default Settings in BOLD)		DESCRIPTION
Address	Set ADDR	001 ~ 501		DMX Address Setting
UserMode		Standard, Basic, Extend		Set DMX Channel / User Mode
Function	Status	Lost Dmx	Hold , Black, Auto.Pro	Define How Fixtures Reacts to NO DMX Signal
	LCD.Set	Display	ON / OFF	LCD Backlight Shut Off Time
		Key Lock	ON / OFF	Control Front Panel Buttons Key Lock
		Flash	ON / OFF	Display flashes when NO DMX
		Inverse	ON / OFF	Invert (Flip) LCD Display 180 Degrees
	Temp. C/F	Fahren / Celsius		Temperature Switch Between F° / C°
	DimCurve	Standard , Stage, TV, Architec, Theatre		Set Dimmer Curve Mode
	Disp.Set	ADDR , Disp.CH, Slave		Select Display Mode
	Fan.Set	Led Fan	Auto , High, Low	Set the LED Fans Speed
	Gamma	2.0 , 2.2, 2.4, 2.8		Set Gamma Brightness Value
	Frequen	900 , 1000-1500, 2500, 4000, 5000, 10k, 15k, 20k, 25k (Hz)		Set LED Refresh Frequency
	FlipSet	FLIP1 , FLIP2 - FLIP12		Set starting LED Pixel section, see FLIP Section.
DFSE	ON / OFF		Restore Factory Settings	
Info	TimeInfo	Current	XXXX (Hours)	Enter PIN to Access Clear Last/Clear Total Menus
		Total	XXXX (Hours)	Fixture Run Time From Power ON
		Last	XXXX (Hours)	Fixture Total Run Time
		Password	050	Enter Time Clear Password
		Clear	OFF / ON	Clear Fixture Last Run Time
	TemplInfo	LED Temp	XXX F° / C°	Displays Temperature in Fixture Head
	Err.Info	Error Record 1 ~ Error Record 10		Displays Error Records
	Modellnf	PALADIN		Display Model Name
SoftWare	V1.xx		Software Versions	
Test	Reset. M	Zoom		Reset of Zoom Motor
	ManCtrl	Zoom, ZoomFine, Strobe, Dimmer, DimFine, DimMode, Red1, Green1, Blue1, White1, ~ Red6, Green6, Blue6, White6, Chase, Chase.SP, Chase.F, Macro	000 - 255	Manual Control
	Calibrate	Password	Password= 050	Calibration of LEDs (RGBW) and Zoom Motor

DMX CHANNEL FUNCTIONS AND VALUES

ELATION© PALADIN™

DMX Channel Values / Functions Version (33 DMX Channels)

Supports Software Versions: ≥ 1.06

Features are subject to change without any prior written notice.

**Pixel Control and direction of effects depends on FLIPSET settings and TILT position.*

MODE / CHANNEL			VALUE	FUNCTION
BASIC 12CH	STANDARD 21CH	EXTEND 33CH		
1			0-255	RED [ALL LEDs] 0 to 100%
2			0-255	GREEN [ALL LEDs] 0 to 100%
3			0-255	BLUE [ALL LEDs] 0 to 100%
4			0-255	WHITE [ALL LEDs] 0 to 100%
	1	1	0-255	RED [PIXEL SET #1 Standard PIXEL SET #1 Extend] 0 to 100%
	2	2	0-255	GREEN [PIXEL SET #1 Standard PIXEL SET #1 Extend] 0 to 100%
	3	3	0-255	BLUE [PIXEL SET #1 Standard PIXEL SET #1 Extend] 0 to 100%
	4	4	0-255	WHITE [PIXEL SET #1 Standard PIXEL SET #1 Extend] 0 to 100%
	5	5	0-255	RED [PIXEL SET #2 Standard PIXEL SET #2 Extend] 0 to 100%
	6	6	0-255	GREEN [PIXEL SET #2 Standard PIXEL SET #2 Extend] 0 to 100%
	7	7	0-255	BLUE [PIXEL SET #2 Standard PIXEL SET #2 Extend] 0 to 100%
	8	8	0-255	WHITE [PIXEL SET #2 Standard PIXEL SET #2 Extend] 0 to 100%
	9	9	0-255	RED [PIXEL SET #3 Standard PIXEL SET #3 Extend] 0 to 100%
	10	10	0-255	GREEN [PIXEL SET #3 Standard PIXEL SET #3 Extend] 0 to 100%
	11	11	0-255	BLUE [PIXEL SET #3 Standard PIXEL SET #3 Extend] 0 to 100%
	12	12	0-255	WHITE [PIXEL SET #3 Standard PIXEL SET #3 Extend] 0 to 100%
		13	0-255	RED [PIXEL SET #4 Extend] 0 to 100%
		14	0-255	GREEN [PIXEL SET #4 Extend] 0 to 100%
		15	0-255	BLUE [PIXEL SET #4 Extend] 0 to 100%
		16	0-255	WHITE [PIXEL SET #4 Extend] 0 to 100%

Supports Software Versions: ≥ 1.06				
Features are subject to change without any prior written notice. *Pixel Control and direction of effects depends on FLIPSET settings and TILT position.				
MODE / CHANNEL			VALUE	FUNCTION
BASIC 12CH	STANDARD 21CH	EXTEND 33CH		
		17	0-255	RED [PIXEL SET #5 Extend] 0 to 100%
		18	0-255	GREEN [PIXEL SET #5 Extend] 0 to 100%
		19	0-255	BLUE [PIXEL SET #5 Extend] 0 to 100%
		20	0-255	WHITE [PIXEL SET #5 Extend] 0 to 100%
		21	0-255	RED [PIXEL SET #6 Extend] 0 to 100%
		22	0-255	GREEN [PIXEL SET #6 Extend] 0 to 100%
		23	0-255	BLUE [PIXEL SET #6 Extend] 0 to 100%
		24	0-255	WHITE [PIXEL SET #6 Extend] 0 to 100%
5	13	25		SHUTTER / STROBE
			0-31	LED OFF
			32-63	LED ON
			64-95	Strobe Effect SLOW to FAST
			96-127	LED ON
			128-159	Pulse Effect in Sequences
			160-191	LED ON
			192-223	Random Strobe Effect SLOW to FAST
224-255	LED ON			
6	14	26	0-255	DIMMER INTENSITY Dimmer 0 to 100%
	15	27	0-255	DIMMER INTENSITY FINE Dimmer FINE Adjustment
7	16	28	0-255	ZOOM Zoom 0% to 100%

Supports Software Versions: ≥ 1.06

Features are subject to change without any prior written notice.

*Pixel Control and direction of effects depends on FLIPSET settings and TILT position.

MODE / CHANNEL			VALUE	FUNCTION
BASIC 12CH	STANDARD 21CH	EXTEND 33CH		
8	17	29		PROGRAM MACROS
			0	LEDS ON
			1-14	LEDS OFF
			15-30	PROGRAM MACRO 01
			31-46	PROGRAM MACRO 02
			47-62	PROGRAM MACRO 03
			63-78	PROGRAM MACRO 04
			79-94	PROGRAM MACRO 05
			95-110	PROGRAM MACRO 06
			111-126	PROGRAM MACRO 07
			127-142	PROGRAM MACRO 08
			143-158	PROGRAM MACRO 09
			159-174	PROGRAM MACRO 10
			175-190	PROGRAM MACRO 11
			191-206	PROGRAM MACRO 12
207-222	PROGRAM MACRO 13			
223-238	PROGRAM MACRO 14			
239-255	PROGRAM MACRO 15			
9	18	30	0-255	PROGRAM MACRO SPEED
				SLOW to FAST Speed
10	19	31	0-255	PROGRAM MACRO FADE
				FAST to SLOW Fade Time

Supports Software Versions: ≥ 1.06

Features are subject to change without any prior written notice.

*Pixel Control and direction of effects depends on FLIPSET settings and TILT position.

MODE / CHANNEL			VALUE	FUNCTION
BASIC 12CH	STANDARD 21CH	EXTEND 33CH		
11	20	32		COLOR PRESETS
			0	OFF
			1-4	COLOR PRESET 01
			5-8	COLOR PRESET 02
			9-12	COLOR PRESET 03
			13-16	COLOR PRESET 04
			17-20	COLOR PRESET 05
			21-24	COLOR PRESET 06
			25-28	COLOR PRESET 07
			29-32	COLOR PRESET 08
			33-36	COLOR PRESET 09
			37-40	COLOR PRESET 10
			41-44	COLOR PRESET 11
			45-48	COLOR PRESET 12
			49-52	COLOR PRESET 13
			53-56	COLOR PRESET 14
			57-60	COLOR PRESET 15
			61-64	COLOR PRESET 16
			65-68	COLOR PRESET 17
			69-72	COLOR PRESET 18
			73-76	COLOR PRESET 19
			77-80	COLOR PRESET 20
			81-84	COLOR PRESET 21
			85-88	COLOR PRESET 22
			89-92	COLOR PRESET 23
			93-96	COLOR PRESET 24
			97-100	COLOR PRESET 25
			101-104	COLOR PRESET 26
			105-108	COLOR PRESET 27
			109-112	COLOR PRESET 28
			113-116	COLOR PRESET 29
			117-120	COLOR PRESET 30
121-124	COLOR PRESET 31			
125-128	COLOR PRESET 32			

Supports Software Versions: ≥ 1.06

Features are subject to change without any prior written notice.

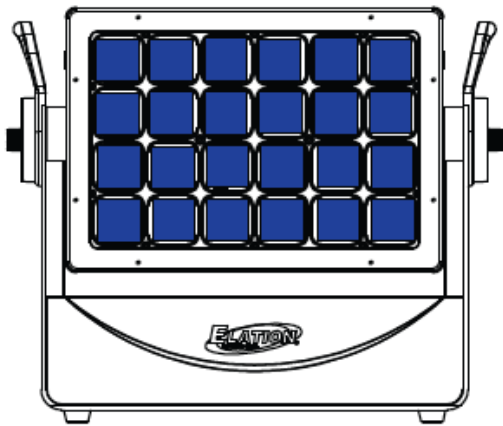
*Pixel Control and direction of effects depends on FLIPSET settings and TILT position.

MODE / CHANNEL			VALUE	FUNCTION
BASIC 12CH	STANDARD 21CH	EXTEND 33CH		
11	20	32		COLOR PRESETS [continued]
			129-132	COLOR PRESET 33
			133-136	COLOR PRESET 34
			137-140	COLOR PRESET 35
			141-144	COLOR PRESET 36
			145-148	COLOR PRESET 37
			149-152	COLOR PRESET 38
			153-156	COLOR PRESET 39
			157-160	COLOR PRESET 40
			161-164	COLOR PRESET 41
			165-168	COLOR PRESET 42
			169-172	COLOR PRESET 43
			173-176	COLOR PRESET 44
			177-180	COLOR PRESET 45
			181-184	COLOR PRESET 46
			185-188	COLOR PRESET 47
			189-192	COLOR PRESET 48
			193-196	COLOR PRESET 49
			197-200	COLOR PRESET 50
			201-204	COLOR PRESET 51
			205-208	COLOR PRESET 52
			209-212	COLOR PRESET 53
			213-216	COLOR PRESET 54
			217-220	COLOR PRESET 55
			221-224	COLOR PRESET 56
			225-228	COLOR PRESET 57
			229-232	COLOR PRESET 58
			233-236	COLOR PRESET 59
237-240	COLOR PRESET 60			
241-244	COLOR PRESET 61			
245-248	COLOR PRESET 62			
249-252	COLOR PRESET 63			
253-255	COLOR PRESET 64			
12	21	33		DIMMING CURVE MODES
			0-20	STANDARD
			21-40	STAGE
			41-60	TV
			61-80	ARCHITECTURAL
			81-100	THEATRE
101-255	Default to Unit Setting			

PIXEL CONTROL

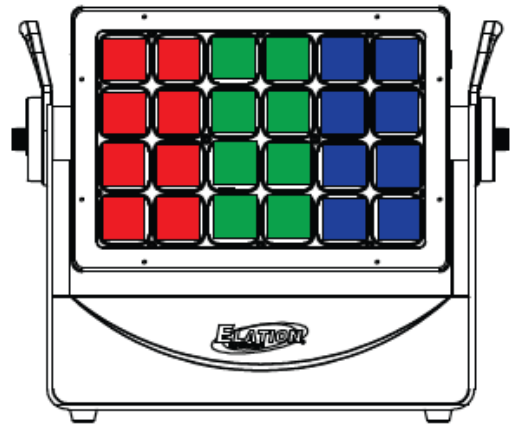
The fixture features pixel control, which varies depending on the selected DMX channel mode. See the diagrams below, which illustrate the specific pixel mapping for each DMX channel mode.

Basic Mode
All Pixels

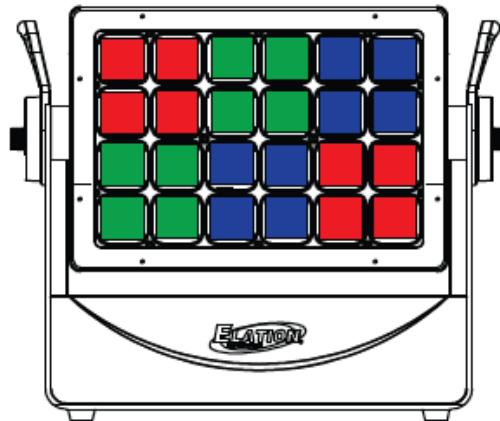


Standard Mode
Pixel Zones 1-3

1 2 3



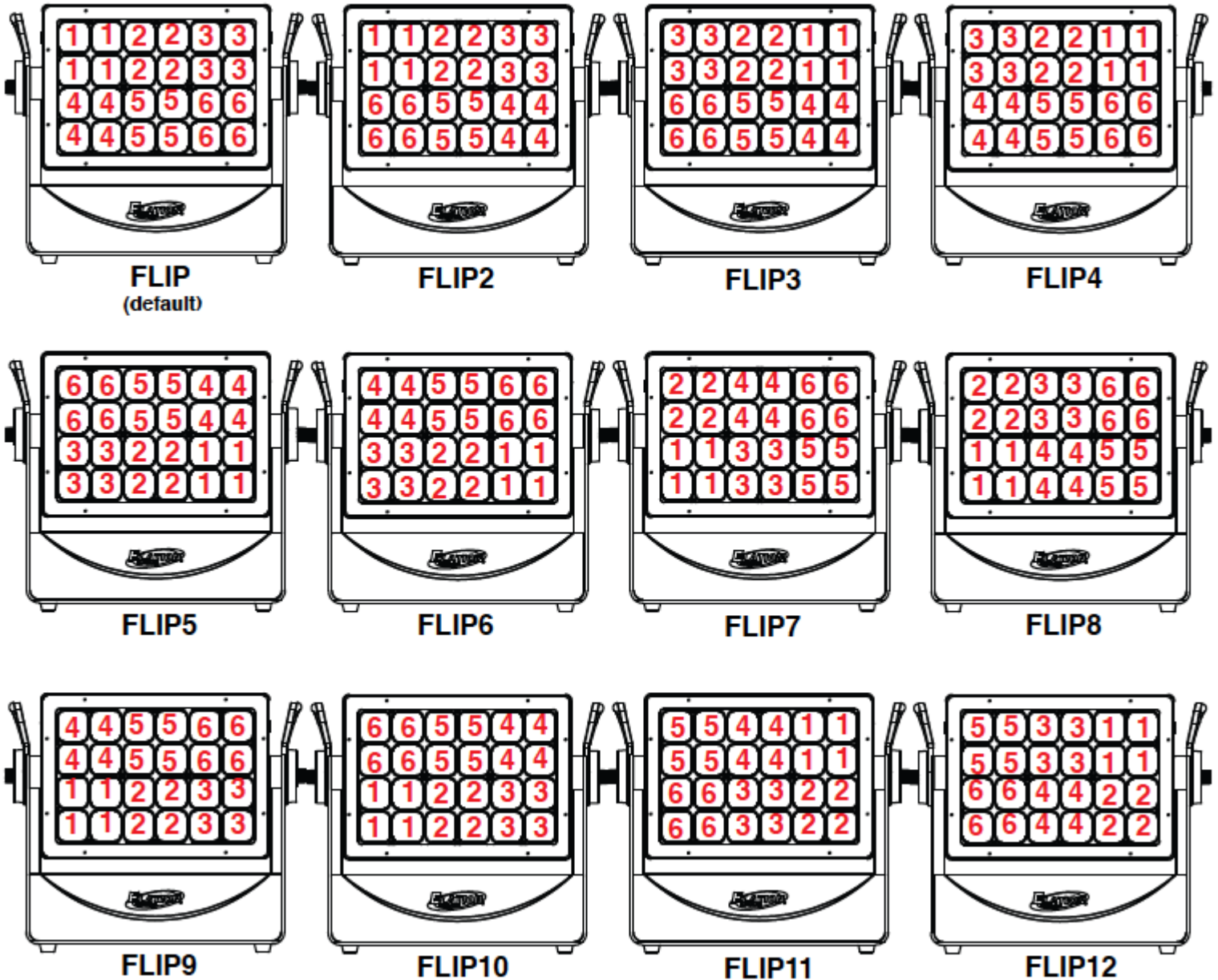
Extended Mode
Pixel Zones 1-6*
See Pixel FLIPSET section



PIXEL FLIPSET

In Extend DMX channel mode, the fixture provides 12 different **FLIPSET** modes, which can be selected from the system menu. Each mode allows you to change the pixel set starting location and chase direction. Each pixel set includes a group of 4 adjacent LEDs and there are a total of 6 pixel sets. (See diagrams below)

***PIXEL CONTROL AND DIRECTION OF EFFECTS ARE BASED ON TILT POSITION ILLUSTRATED BELOW.**



CLEANING AND MAINTENANCE



C A U T I O N

Disconnect power before cleaning or maintenance.

CLEANING

Frequent cleaning is recommended to insure proper function, optimized light output, and an extended life. The frequency of cleaning depends on the environment in which the fixture operates: damp, smoky or particularly dirty environments can cause greater accumulation of dirt on the fixture's optics.

- Clean the external lens surface at least every 20 days with a soft cloth to avoid dirt/debris accumulation. NEVER use alcohol, solvents, or ammonia based cleaners.

MAINTENANCE

Regular inspections are recommended to insure proper function and extended life. There are no user serviceable parts inside this fixture, please refer all other service issues to an authorized Elation service technician. Should you need any spare parts, please order genuine parts from your local Elation dealer.

Please refer to the following points during routine inspections:

- A detailed electric check by an approved electrical engineer every three months, to make sure the circuit contacts are in good condition and prevent overheating.
- Be sure all screws and fasteners are securely tightened at all times. Loose screws may fall out during normal operation resulting in damage or injury as larger parts could fall.
- Check for any deformations on the housing, color lenses, rigging hardware and rigging points (ceiling, suspension, trussing). Deformations in the housing could allow for dust to enter into the fixture. Damaged rigging points or unsecured rigging could cause the fixture to fall and seriously injure a person(s).
- Electric power supply cables must not show any damage, material fatigue or sediments. Never remove the ground prong from the power cable.

TECHNICAL SPECIFICATIONS

SOURCE

(24) 40W 4-in-1 RGBW LEDs

50,000 Hour Average LED Life*

*May vary depending on several factors including but not limited to:

Environmental Conditions, Power/Voltage, Usage Patterns (On-Off Cycling), Control, and Dimming.

COLOR

RGBW

EFFECTS

Variable Pixel Zone Control

64 Color Presets and 15 Color Macros

High Speed Electronic Strobe

16-Bit Variable Dimming Curve Modes

CONTROL / CONNECTIONS

Motorized Zoom

Manual 210° Tilt Movement

(3) DMX Channel Modes (33 total channels)

Adjustable Refresh Rate (900-25,000 Hz)

Adjustable Gamma Brightness (2.0, 2.2, 2.4, 2.8)

4 Button Control Panel and LCD Menu Display

RDM (Remote Device Management)

5pin DMX In/Out

powerCON TRUE1 Power In/Out

SIZE / WEIGHT

Length: 16.4" (478mm)

Width: 11.2" (233mm)

Vertical Height: 16.0" (407.5mm)

Weight: 46.0 lbs. (20.9 kg)

ELECTRICAL / THERMAL

AC 100-240V - 50/60Hz

990W Max Power Consumption

5°F to 113°F (-15°C to 45°C)

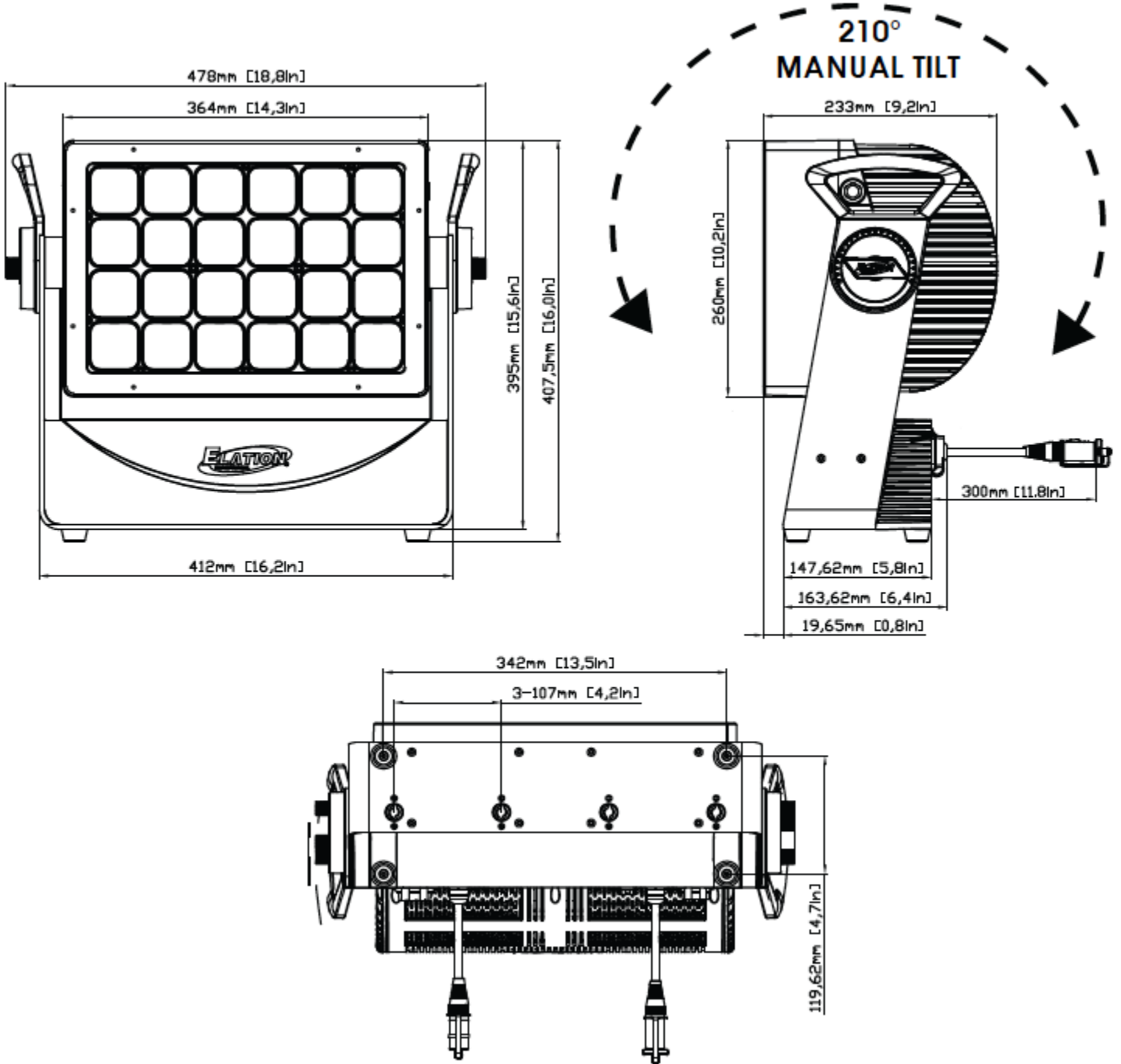
APPROVALS / RATINGS

CE | IP65 |



Please Note: Specifications and improvements in the design of this unit and this manual are subject to change without any prior written notice.

DIMENSIONAL DRAWINGS



Please Note: Specifications and improvements in the design of this unit and this manual are subject to change without any prior written notice.

OPTIONAL ACCESSORIES

ORDER CODE	ITEM
PRO-CLAMP	Heavy Duty 2 inch Pro Clamp
SCABLE60	Safety Cable 24" (610mm) 60 lbs. (27kg) Rating
DRCPALADIN	PALADIN Quad Road Case
PAL120	PALADIN Barn Doors
PAL540	PALADIN Egg Crate
NEU088	3 ft. (1m) powerCON TRUE1 Power Link Cable
	Additional Cable Lengths Available

