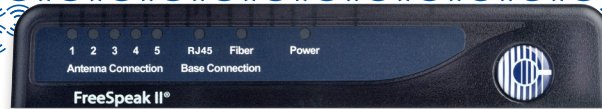


FreeSpeak II Splitter

FreeSpeak II Wireless Solutions

Linking
People
Together



FreeSpeak II Splitter

Key Features and Benefits

- Provides 5 FSII transceiver antenna feeds on one antenna port on FSII-BASE-II station or E-QUE-HX card
- SFP fiber slot for fiber link to FSII-BASE-II or for connecting FSII-BASE-II
- Supports both multi-mode and single-mode fiber
- Configure settings using DIP switches
- LED status indicator on front and back
- Mic stand or wall mount orientation (metric and imperial threads)

FreeSpeak II is a high performance wireless solution operating in the 1.9 and 2.4GHz frequency bands designed for extensive communication in large-scale operations.

Description

The FSII-SPL is a splitter that connects multiple FSII transceiver antennas to an Eclipse HX matrix (via E-QUE-HX card) or a FreeSpeak II base station. The splitter provides up to 5 antenna feeds from one antenna port and has an SFP fiber slot for fiber connectivity.

Fiber Connectivity

Using the SFP fiber slot, the FSII-SPL provides a fiber link between the FSII-BASE-II base station and splitter (base-to-splitter) or it can be used to connect on legacy FreeSpeak II base stations and the Eclipse HX frames over fiber via the E-QUE-HX interface card (splitter-to-splitter).

Mounting Options

The splitter can be mounted on a flat surface or on a microphone stand. LED indicators are located on the front and back of the unit to show status in any mounted position. Requires an external power supply (included).

Technical Specifications

Connections

Transceiver Antenna: 5 Ethercon RJ-45, each with yellow LED indicators on front and back

Matrix: 1 Ethercon RJ-45, with yellow LED indicator on front and back

Fiber: 1 SFP port

Power

Splitter: Requires external power supply (included)

Transceiver Antenna: Provides power to antennas via RJ-45 connections

Mounting Options

Wall Mount with 4 mounting points

Mic Stand Mount (metric and imperial threads)

Environmental

IP-63 water resistance for outdoor use

+32°F to +122°F

(0°C to +50°C)

Dimensions

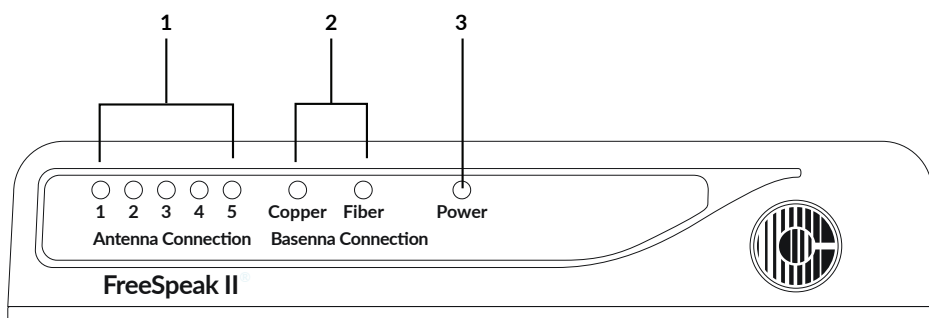
1.65 x 8.75 x 7.73 in (HxWxD)

(42 x 223 x 197 mm)

Weight

24.5 oz (0.69 kg)

Front Panel



Legend

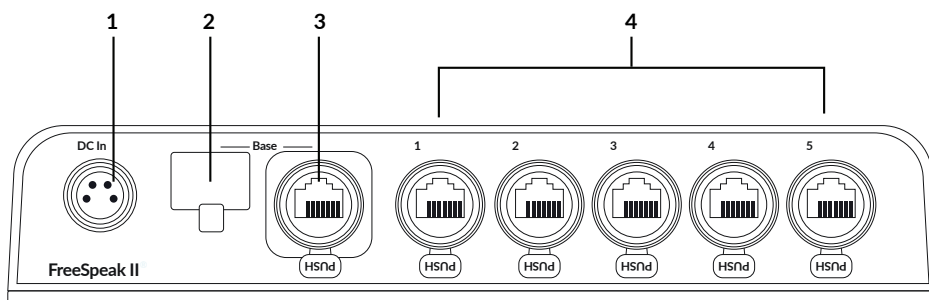
Front Panel

1. Antenna connection LED's
2. Connection type LED's (RJ-45/Fiber)
3. Power LED

Back Panel

4. DC Power In
5. Fiber connector to Base/Splitter
6. RJ-45 connector to Base/Splitter
7. Antenna connectors

Back Panel



Order Codes

FSII-SPL: FreeSpeak II Splitter

Optional components for Splitter:

HLI-MMFO: Multi-mode fiber SFP transceiver

HLI-SMFO: Single-mode fiber SFP transceiver