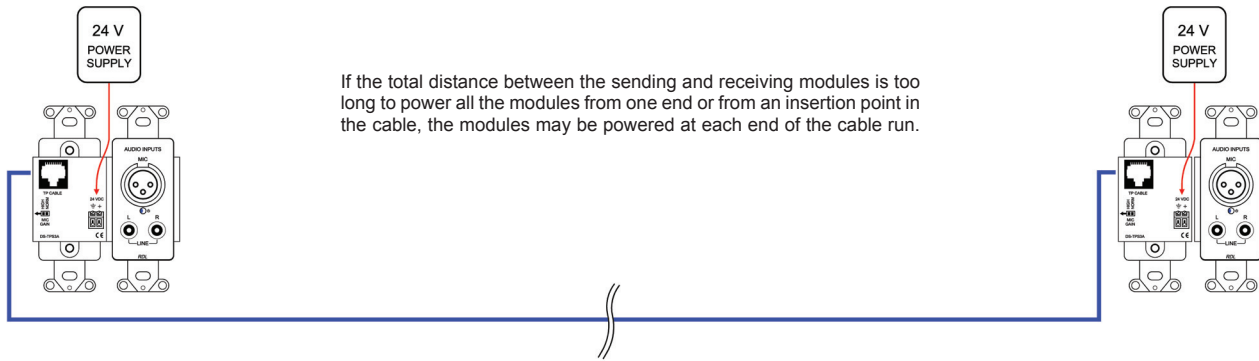
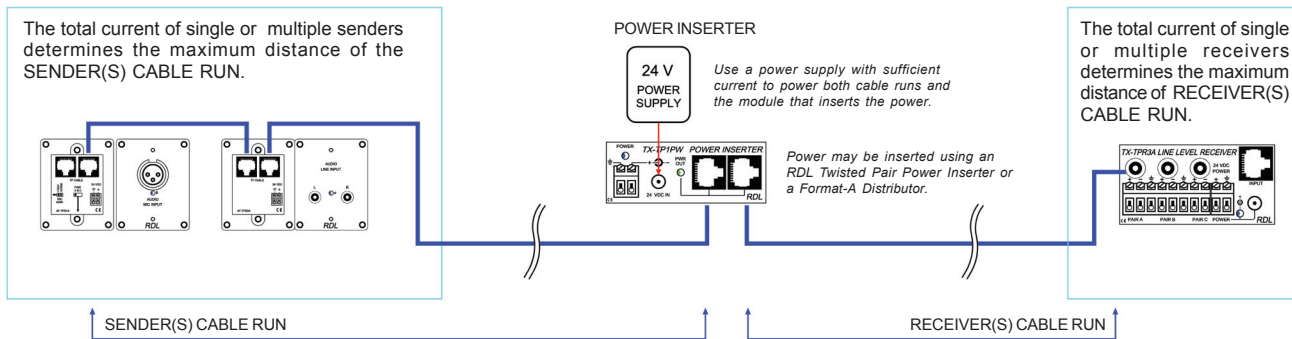


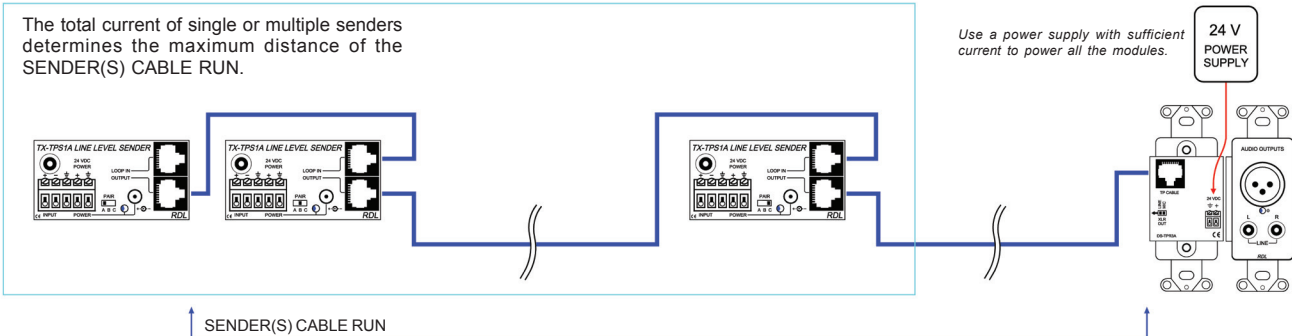
SENDING AND RECEIVING MODULES MAY BE POWERED SEPARATELY



SENDING AND RECEIVING MODULES MAY ALL BE POWERED FROM AN INSERTION POINT IN A LONG CABLE RUN

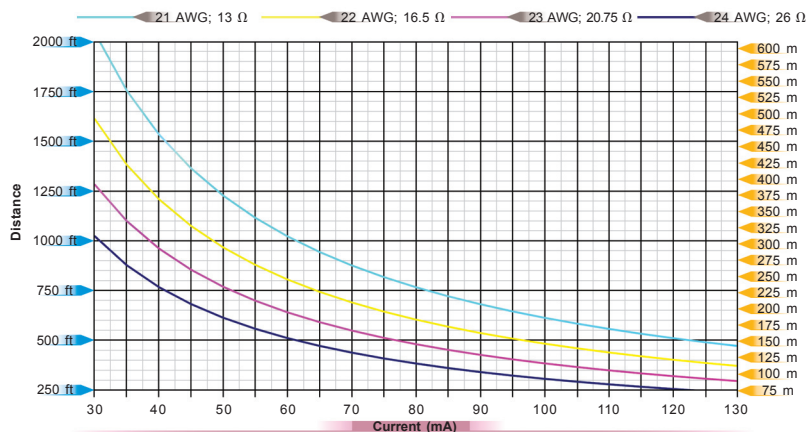


SENDING AND RECEIVING MODULES MAY ALL BE POWERED FROM ONE END OF A CABLE RUN



FORMAT-A CABLE LENGTH

MAXIMUM DISTANCE BETWEEN A POWERED MODULE AND REMOTELY POWERED MODULES BASED ON TOTAL CURRENT CONSUMPTION OF REMOTE MODULES



Determine the maximum cable run distance from the chart. Distances are provided for common wire gauges at various total module currents.

CAT5 cable is normally 22 AWG; CAT6 cables range from 22 to 24 AWG.

Some twisted pair cables have a lower resistance than the typical resistance for a specified wire gauge, and therefore may be used over a longer distance than is shown in the chart. The chart is based on the resistances indicated, which is the resistance of a single conductor over 1000 feet or 300 meters. Resistance measurements on the wire used provides the most accurate distances.