

Daptor Two

Wireless Telephone Adapter



Product Overview

You can now use your existing audio equipment for remote broadcasts from any location. Simply plug Daptor Two into the 2.5mm headset jack of any wireless cell phone that accepts a 3rd party headset or earpiece. You can now send and receive audio from your mixer or tape recorder through the cell phone. Your cell phone will recognize Daptor Two as a headset which will disable the mic and speaker in the cell phone itself. You will need to use a microphone and headphones connected to your mixer to allow conversation over your cell phone to continue.



- ***Works with all wireless phones that accept generic third party earpiece / headsets***
- ***No battery or AC adapter needed***
- ***Durable diecast aluminum construction***

JK Audio

Telephone Interface Products

815-786-2929

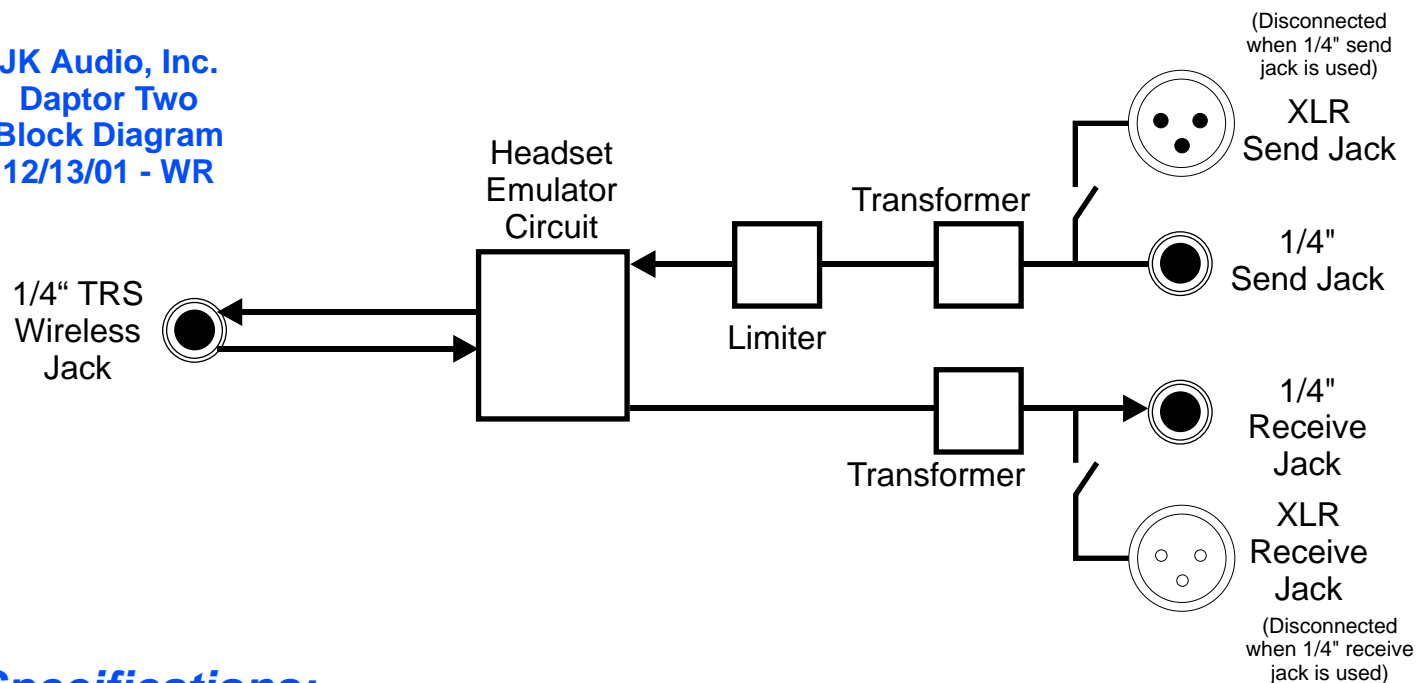
1-800-JK-Audio

www.jkaudio.com

Daptor Two

Wireless Telephone Adapter

JK Audio, Inc.
Daptor Two
Block Diagram
12/13/01 - WR



Specifications:

- Inputs:
- XLR 600 ohms balanced, line level, 0 dBm max input
 - 1/4" mono, unbalanced, line level, 0 dBm max input
- Outputs:
- XLR 600 ohms balanced, mic level, -25 dBm avg output
 - 1/4" mono, unbalanced, mic level, -25 dBm avg output
- Interface Jack: 1/4" - 3 conductor - 36" cable provided (1/4" - 3 conductor to 2.5mm - 3 conductor)
- Passive, no AC or battery power needed
- Size: 4.5" x 3.2" x 1.3"
(11.4 x 8.2 x 3.3 cm)
- Weight: 9 ounces

JK Audio

Telephone Interface Products

815-786-2929

1-800-JK-Audio

www.jkaudio.com