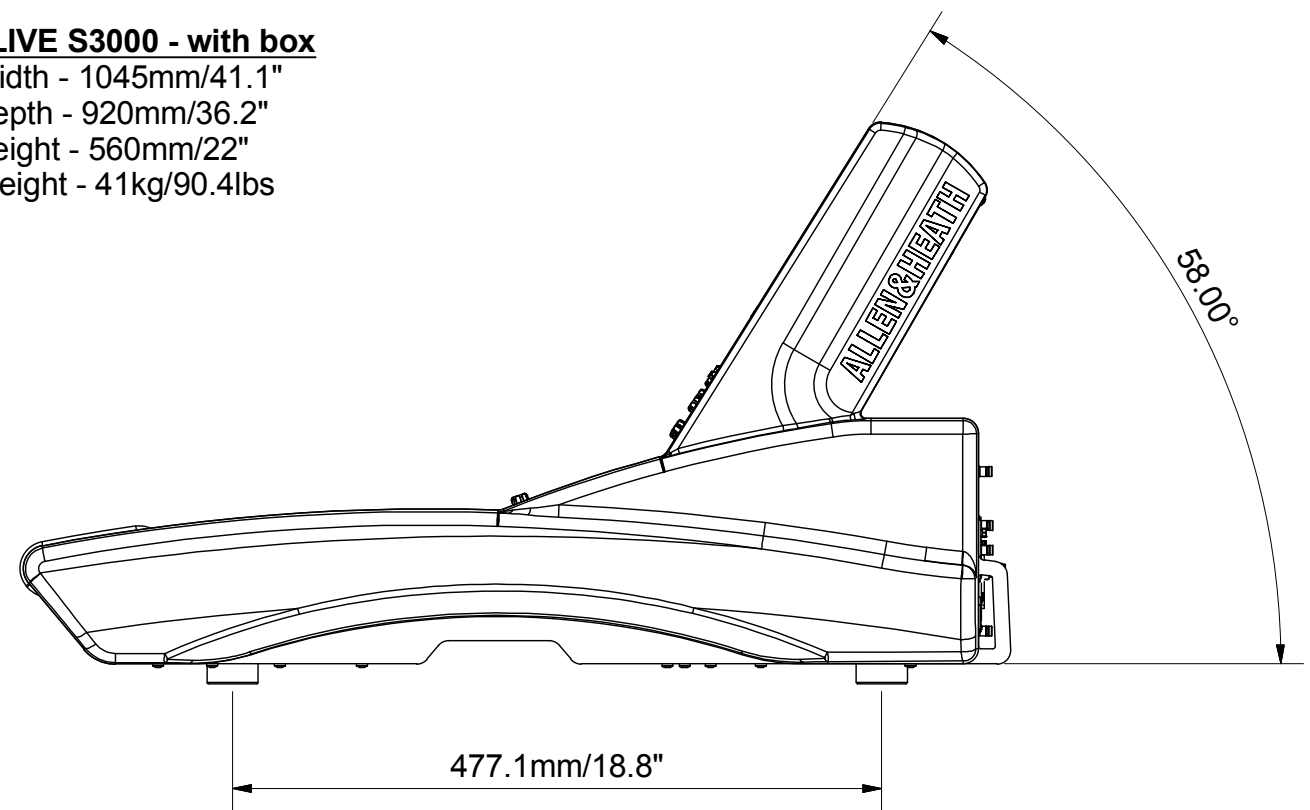
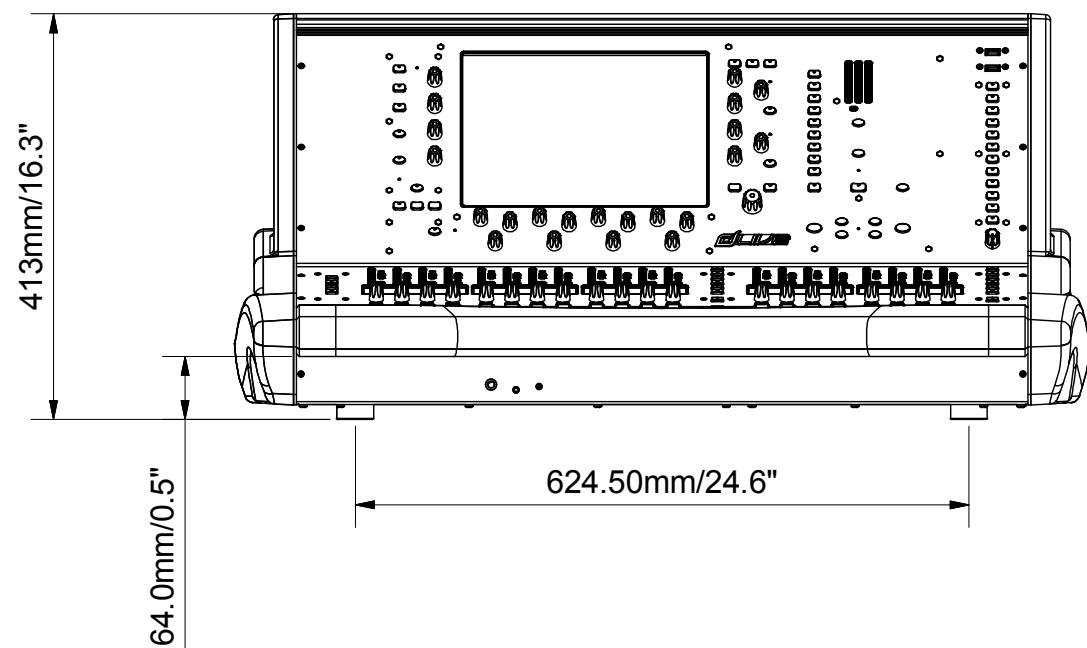


dLIVE S3000 - without box

Width - 870mm/34.2"
 Depth - 728.5mm/28.7"
 Height - 413mm/16.3"
 Weight - 28kg/62lbs

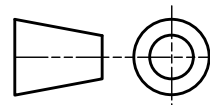
dLIVE S3000 - with box

Width - 1045mm/41.1"
 Depth - 920mm/36.2"
 Height - 560mm/22"
 Weight - 41kg/90.4lbs



REVISION HISTORY				
REV	DESCRIPTION	ECN	DATE	APPROVED
A	ORIGIN		28/01/2015	ALEXMO
B	MECH MOD		23/04/2015	ALEXMO
1	MODS		27/04/2015	ALEXMO

THIRD ANGLE PROJECTION



MATERIAL:

All materials to be compliant with The Restriction of Hazardous Substances (ROHS) Directive (2002/95/EC)

TOLERANCES U O S:
 GENERAL ± 0.25 HOLE CENTRES ± 0.10
 HOLE SIZES ± 0.05 ANGULAR DIMS ± 0.50°

FINISH:

DRAWING

DLIVE S3000

UNIT

DLIVE

PART No

007-157

DRAWING No
 Weights & Measures

DLIVE-S3000

ALLEN & HEATH Ltd.

KERNICK INDUSTRIAL ESTATE
 PENRYN CORNWALL TR10 9LU
 TELEPHONE 01326 372070
 FACSIMILE 01326 370153

SHEET
 1 of 1

ISSUE
 1