

Keyboard Drawer / Monitor Shelf

Description:

The KDMS keyboard drawer/monitor shelf is engineered to mount an extended keyboard and support a full-size computer monitor or similar equipment. The heavy-duty assembly features a slide-out shelf with a rotating tray that accepts an 18"W extended keyboard. (Mount the keyboard to the tray and swivel into position.) When the shelf is shut, two snap closures secure the hinged front panel. The keyboard shelf includes a full-length, wrist pad and a mouse pad extension that slides for right or left-hand use. Two drawer cavities under the keyboard area provide storage for accessories and most mouse styles. Assembly is 19"W x 20"D with 16" forward extension. It mounts on front and rear rails and is reinforced on the top to support heavy equipment. Panel space is slightly larger than 2U (4.34"H) yet shouldn't pose a space problem as the top shelf is designed to support monitors of varying heights. Black powder epoxy finish.

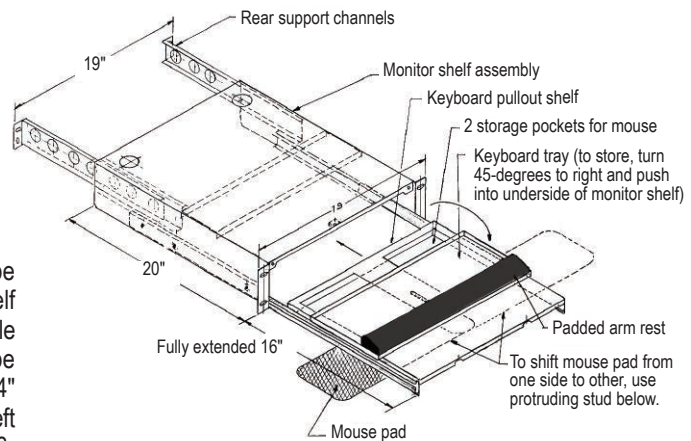
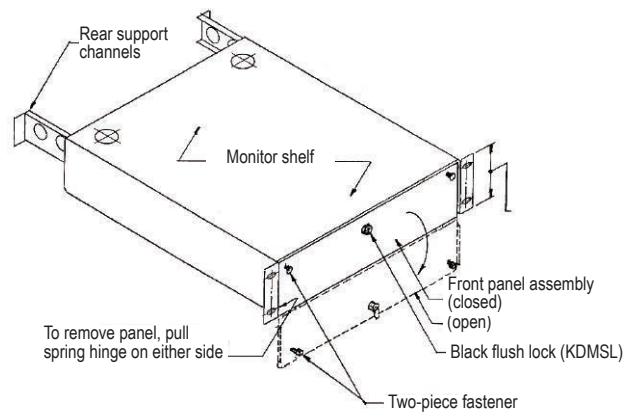


KDMS keyboard drawer / monitor shelf is reinforced to support a monitor and extended keyboard.



Features:

- Reinforced shelf mounts an extended keyboard and supports a full size computer monitor in 19"W racks with minimum 27"D.
- Shelf includes a rotating tray that provides innovative pull and swivel access/storage of an extended keyboard (not included) which is typically too wide for slide-out use in 19"W racks.
- Adjustable rear rails provide solid support.
- Ball-bearing slides assure smooth, full-extension accessibility to keyboard.
- Full length wrist pad and a right/left adjustable mouse pad extension surface.
- Hinged front panel secures keyboard with two snap closures (optional keylock version).
- Durable black powder epoxy finish
- Load Rating: 70 lbs.
- Weight: 28 lbs.
- Made in the USA.



A&E Specifications:

The keyboard/monitor shelf for 19"W rackmount use shall be Lowell Model KDMS with hinged snap closure panel. The shelf shall mount a typical extended keyboard (18"W) and be capable of supporting a full-size computer monitor. The shelf shall be 20"D with 16" front extension and a panel space height of 4.34" (2+U). The assembly shall include a full length wrist pad, right/left adjustable mouse platform. Construction shall be welded 16-gauge steel with ball bearing slides.

Model No.	Description	Former No.	Overall W	Overall D	Panel Space	Rack Units	Forward Extension	Rear Rail Extension
KDMS	Keyboard Drawer / Monitor Shelf	L29K	19"	20"	4.34"	2+	16"	6"
KDMSL	Keyboard Drawer / Monitor Shelf with lock	L29KL	19"	20"	4.34"	2+	16"	6"

One rack unit = 1.75"

NOTE: Model KDMSL has been discontinued and may only be available in limited quantities.