

Soundweb™

London™

Soundweb™ BLU-8v2

Zone Controller Installation Guide



BSS Audio

8760 S. Sandy Parkway
Sandy, Utah 84070, USA
www.bssaudio.com
+1 801-566-8800



DECLARATION OF CONFORMITY

Manufacturer's Name: BSS Audio
Manufacturer's Address: 8760 S. Sandy Parkway
Sandy, Utah 84070, USA

declares that the product:

Product name: BLU 8 – V2
Note: Product name may be suffixed by the letters -EU and BLK or WHT.
Product option: PS48POE (power adapter)
BSS999-PSU (power adapter)

conforms to the following Product Specifications:

Safety: IEC 60065 -01+Amd1
EMC: EN 55022:2006
EN 55024:1998
FCC Part 15

Supplementary Information:

The product herewith complies with the requirements of the:
Low Voltage Directive 2006/95/EC
EMC Directive 2004/108/EC.
RoHS Directive 2002/95/EC
WEEE Directive 2002/96/EC

With regard to Directive 2005/32/EC and EC Regulation 1275/2008 of 17 December 2008, this product is designed, produced, and classified as Professional Audio Equipment and thus is exempt from this Directive.

Roger Johnsen
Director, Engineering
Signal Processing
8760 S. Sandy Parkway
Sandy, Utah 84070, USA
Date: April 27, 2011

European Contact: Your local BSS Audio Sales and Service Office or
Harman Signal Processing
8760 South Sandy Parkway
Sandy, Utah
84070 USA
Ph: (801) 566-8800
Fax: (801) 568-7583

Regulatory Information

An example of this equipment has been tested and found to comply with the International Standards for Electromagnetic Compatibility as referenced in the Declaration of Conformity above (only when used with a metal wall-box).

All interconnecting Ethernet cables must be of a shielded type.

Introduction

We have written this guide with the aim of helping installers and sound engineers alike to get the most out of the BLU-8v2. We recommend that you read this manual before attempting to operate the unit. We welcome any comments or questions regarding the BLU-8v2 or other BSS Audio products, and you may contact us at the address or world wide web sites shown on the cover.

Packing List

Quantity	Description	Part number (black version)	Part number (white version)
1	BLU-8v2	BSSBLU8v2-BLK	BSSBLU8v2-WHT
4	6-32 x 3/4 slotted machine screws in black or silver	28-0254	28-0255
1	International sticker sheet	30-0309	30-0309
1	2-way Weidmuller Combicon	32-0275	32-0275
1	Lexan overlay	30-0471	30-0472

Mechanical Installation

The BLU-8v2 is designed to fit into a standard 3-gang US wall box. Screws are provided to fix the unit in place.

Dimensions of the unit are shown below. The use of a metal wall box is recommended to ensure that the installation meets necessary EMC standards. A list of recommended boxes is also shown below.

Manufacturer

Part Number

Carlson

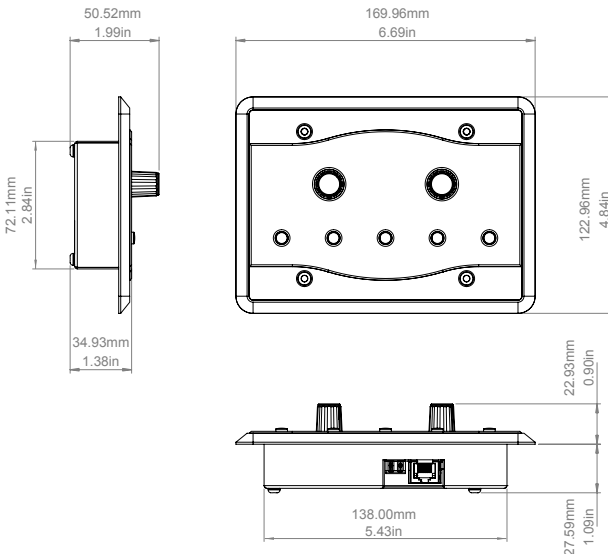
BH 353A

New work three gang box.

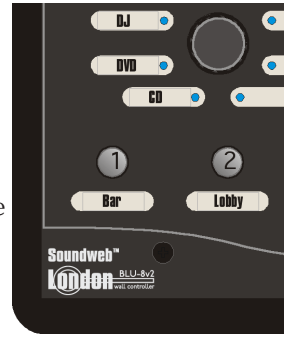
Carlson

355R

Old work three gang box.



1. Place the Lexan overlay in the front plastic tray of the BLU-8v2. Optionally, this may be replaced with a custom overlay in a color and style to match the décor of the facility or with your own branding.
2. Affix legend stickers in place on the labelling areas of the Lexan overlay, if required. If a custom overlay has been used, this labelling may have been included in the artwork.
3. Place the clear cover molding on top of the Lexan, taking care to align correctly so that the buttons are not trapped.
4. Screw the entire unit into the wallbox with the screws provided.



Power

The BLU-8v2 requires 12-48V DC to be supplied externally. There are two ways to do this:

Connect a suitable supply to the 12-48V DC connector,
or

the unit may be powered via the Ethernet connector using IEEE802.3af Power Over Ethernet (POE).

Typical mid-span Ethernet powering devices are:

- 3Com® Power over Ethernet Single-Port Midspan Solution - p/n 3CNJPSE
- 3Com® Power over Ethernet Multiport Midspan Solution - p/n 3CNJPSE24
- Cisco Unified IP Phone Power Injector – p/n CP-PWR-INJ

Ethernet switches with power over Ethernet ports include:

- 3Com® SuperStack® 3 Switch 4400 PWR - p/n 3C17205
- HP ProCurve Switch 2626-PWR - p/n J8164A#ABA

Network connection

Using a standard Cat 5 cable, the BLU-8v2 connects into a Soundweb London network via its Ethernet port, either directly into the rear of a rackmount device (e.g BLU-16), or into an Ethernet network switch.

The BLU-8v2 is shipped with Auto-IP enabled, ready for first configuration. Static IP addresses are recommended, but DHCP is supported. Please see the important note about DHCP in the HiQnet London Architect help file.

Technical Specifications

Maximum network cable length	300 feet (100 meters)
Power consumption	300 mA max at 12V
Operating temperature	32-104 degrees Fahrenheit (0-40 degrees Celsius)